

McKissick® Utility Crane Blocks

380 Series Hook Blocks

- Wide range of product available.
 - Capacity: 5 to 300 tons - Larger Models Available.
 - Sheave Sizes: 10" to 30".
 - Wire Line Sizes: 7/16" to 1-3/8".
- Manufactured by an ISO 9001 and API Q1 certified facility.
- All single point shank hooks are genuine Crosby®, forged alloy steel, Quenched and Tempered, and have the patented **QUIC-CHECK®** markings (Duplex hooks are available on all sizes).
- All 380 Blocks are furnished standard with Roller Bearings.
- Reeving Guide Standard - All Models.
- Blocks thru 25 tons use 319N style hooks with S-4320 latches.
- Sheaves lubrication through center pin - separate lube channel to each bearing.
- Sheave fully protected by side plates.
- Dual action hook (swings and rotates).
- Repair parts available through world wide distribution network.
- Design Factor of 4 to 1 (unless otherwise noted).
- All 380 blocks, 16" and larger, are furnished with McKissick® Roll-Forged™ sheaves with flame hardened grooves.
- "Look for the Orange Hook . . . the mark of genuine McKissick® quality".



SEE APPLICATION AND WARNING INFORMATION

Para Español: www.thecrosbygroup.com On Pages 342 - 349



OPTIONS AVAILABLE

- Bronze Bushed Sheaves
- Duplex Hooks
- Swivel Tee and Shackle Assemblies
- Sheave Shrouds
- Anti Rotation - Locking Device (75 tons & larger)
- Plate Steel Cheek Weights
- Third party testing with Certification available upon request.

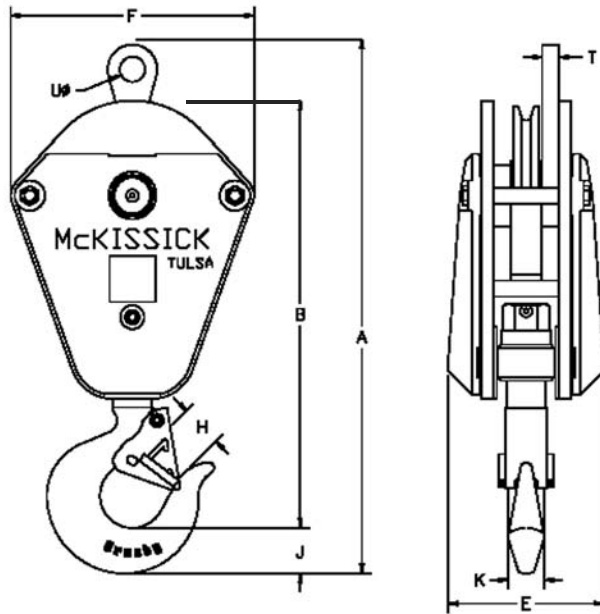
Dead End Chart (Double, Triple, & Quad Sheave Blocks*)

| Wire Rope Size (in.) | Dimensions (in.) | | Recommended Wedge Socket | |
|----------------------|------------------|-----------------|---|------------|
| | T Thickness | U Hole Diameter | McKissick® US-422 /US-422T Utility Socket | |
| | | | Stock No. | Size |
| 7/16 | 1.00 | 1.28 | 1044309+ | US4 7/16 |
| 1/2 | 1.00 | 1.28 | 1044318+ | US4 1/2 |
| 9/16 | 1.00 | 1.28 | 1044336+ | US5 9/16 |
| 5/8 | 1.00 | 1.28 | 1044345+ | US5 5/8 |
| 3/4 | 1.25 | 1.66 | 1044363+ | US6 3/4 |
| 7/8 | 1.25 | 1.66 | 1038580 | US7 7/8 |
| 1 | 1.25 | 1.66 | 1044417+ | US8 1 |
| 1-1/8 | 1.75 | 2.56 | 1044426+ | US10 1-1/8 |
| 1-1/4 | 1.75 | 2.56 | 1044435+ | US10 1-1/4 |

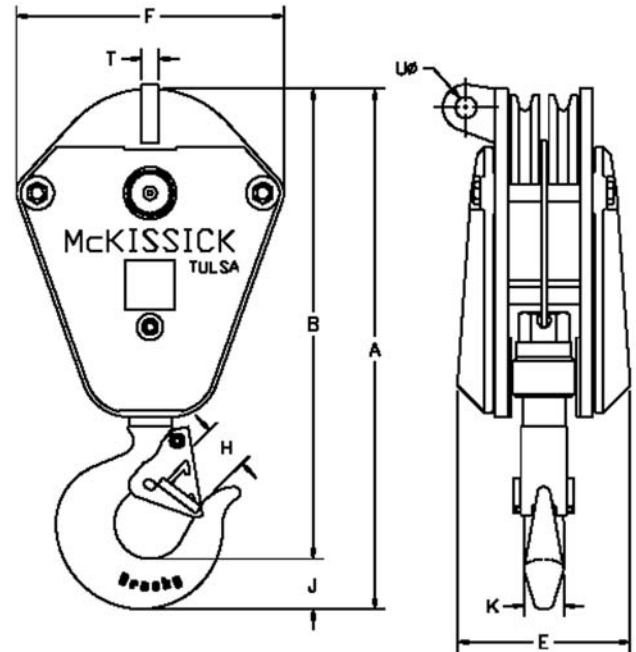
* To find Dead End Dimensions for Single Sheave blocks, refer to table on pages 279.
+ US-422T Terminator Style.

McKissick® Utility Crane Blocks

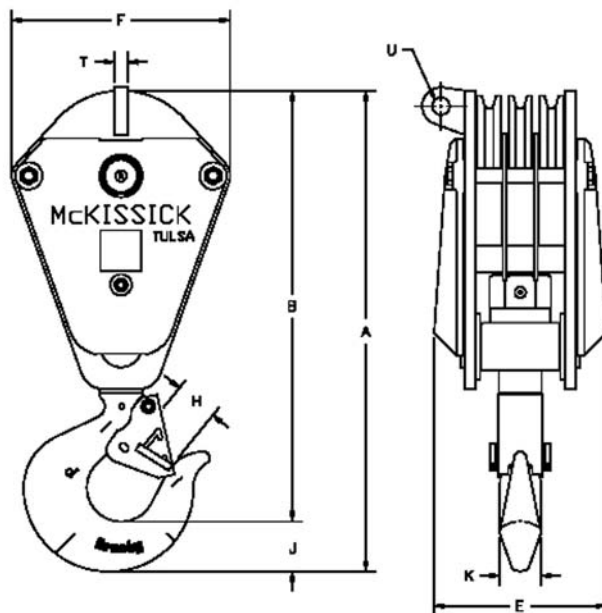
381 - SINGLE



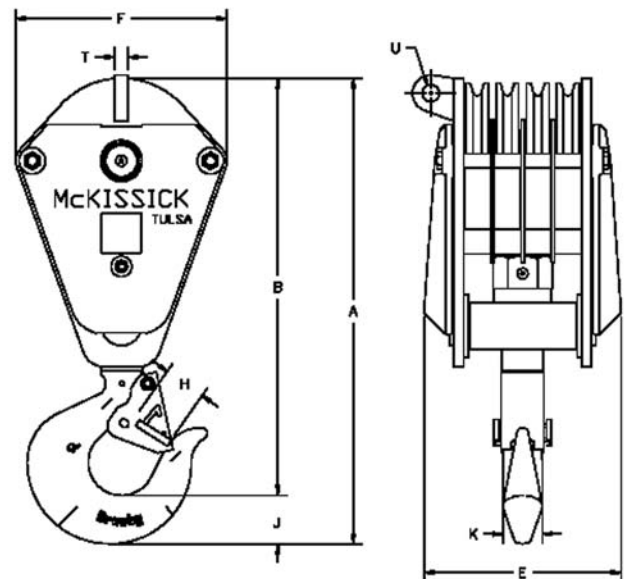
382 - DOUBLE



383 - TRIPLE



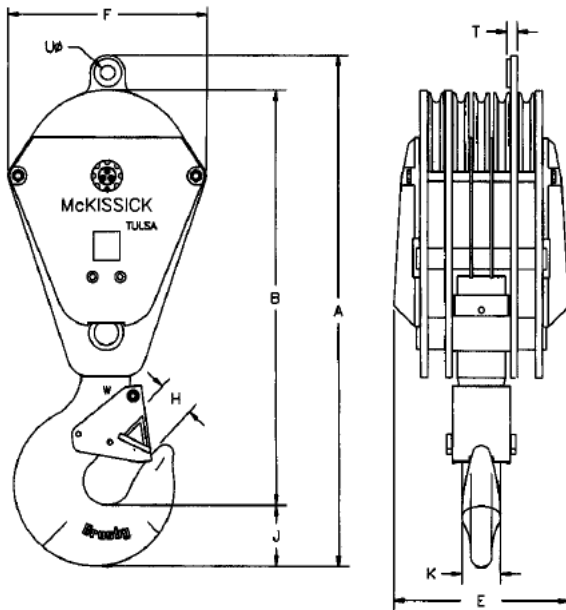
384 - QUAD



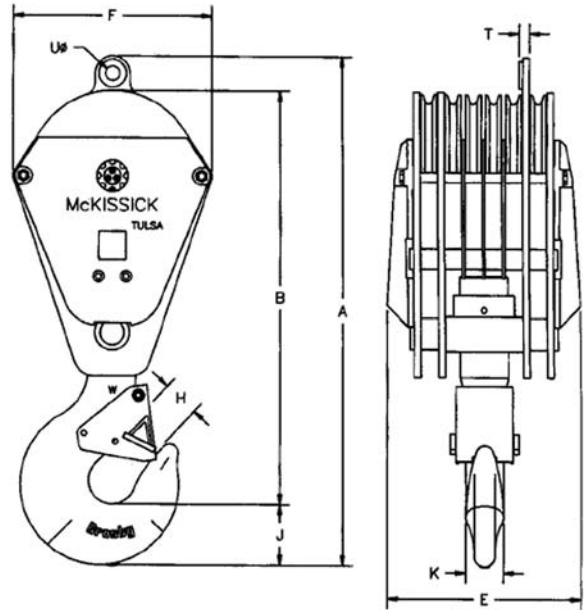
Thickness (E) shown is for blocks containing cheek weights (Light Medium - LM, Medium - M, and Heavy - H). The thickness (E) for non weighted blocks (Light - L) is measured over side plates.

McKissick® Utility Crane Blocks

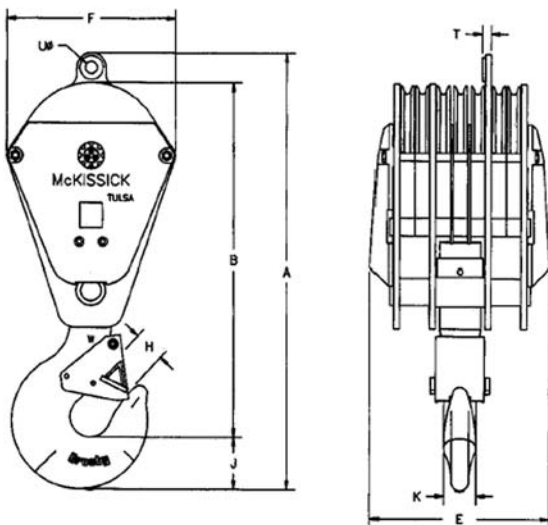
385 - QUINTUPLE



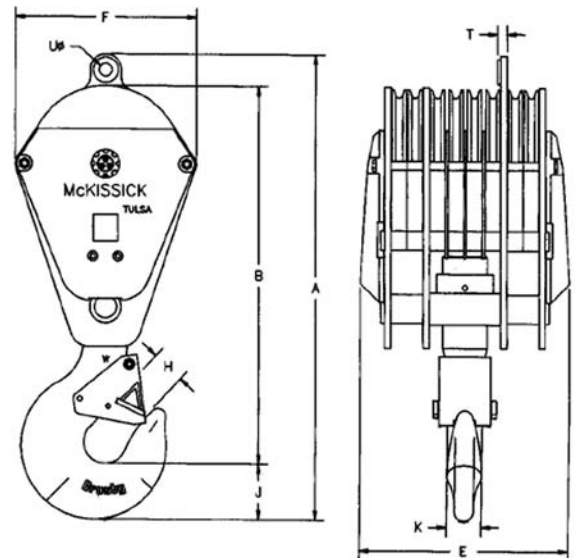
386 - SEXTUPLE



387 - SEPTUPLE



388 - OCTUPLE



Thickness (E) shown is for blocks containing cheek weights (Light Medium - LM, Medium - M, and Heavy - H). The thickness (E) for non weighted blocks (Light - L) is measured over side plates.

McKissick® 380 Series Crane Blocks

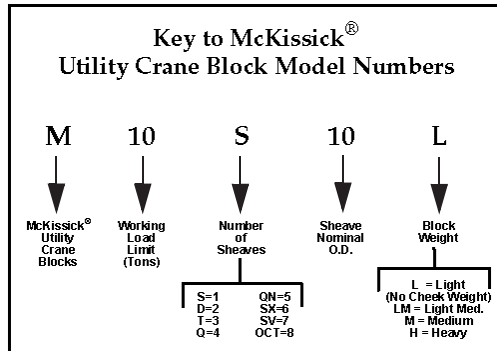


Table 1 - Standard Wire Line Sizes For McKissick 380 Utility Crane Blocks

| Sheave Diameter (in.) | Wire Line Size (in.) | | | | | | | | |
|-----------------------|----------------------|-----|------|-----|-----|-----|---|-------|-------|
| | 7/16 | 1/2 | 9/16 | 5/8 | 3/4 | 7/8 | 1 | 1 1/8 | 1 1/4 |
| 10 | | | | | | | | | |
| 12 | | | | | | | | | |
| 14 | | | | | | | | | |
| 16 | | | | | | | | | |
| 18 | | | | | | | | | |
| 20 | | | | | | | | | |
| 24 | | | | | | | | | |

* For additional wire line sizes, please call Crosby's Special Engineered Products Group at 1(800) 777-1555.

380 Series Crane Blocks

- Specify Wire Line size when ordering. For standard wire line sizes, see Table 1.
- All sizes are **RFID EQUIPPED**.

| Model No. | Inquiry Stock No. | Working Load Limit (Tons) † | A Overall Length (in.) | B Net Length (in.) | E Thickness (in.) | F Width (in.) | H Throat Opening With Flapper (in.) | J Hook Thickness (in.) | K Hook Width (in.) | Standard Wire Line Sizes (in.)* | Dead End ‡ | | Weight Each (lbs.) |
|---------------|-------------------|-----------------------------|------------------------|--------------------|-------------------|---------------|-------------------------------------|------------------------|--------------------|---------------------------------|-------------------|------------------|--------------------|
| | | | | | | | | | | | T Thickness (in.) | U Pin Hole (in.) | |
| 5 TON | | | | | | | | | | | | | |
| M5S10L | 2011004 | 5 | 31.03 | 24.84 | 5.34 | 14.00 | 1.91 | 2.59 | 1.94 | 7/16,1/2,9/16,5/8 | 1.13 | 1.41 | 140 |
| M5S10M | 2011013 | 5 | 31.03 | 24.84 | 8.53 | 14.00 | 1.91 | 2.59 | 1.94 | 7/16,1/2,9/16,5/8 | 1.13 | 1.41 | 200 |
| M5S12L | 2011022 | 5 | 32.88 | 26.59 | 5.34 | 16.00 | 1.91 | 2.59 | 1.94 | 1/2,9/16,5/8,3/4 | 1.13 | 1.41 | 142 |
| M5S12M | 2011031 | 5 | 32.88 | 26.59 | 9.84 | 16.00 | 1.91 | 2.59 | 1.94 | 1/2,9/16,5/8,3/4 | 1.13 | 1.41 | 270 |
| M5S12H | 2011036 | 5 | 32.88 | 26.59 | 13.84 | 16.00 | 1.91 | 2.59 | 1.94 | 1/2,9/16,5/8,3/4 | 1.13 | 1.41 | 400 |
| M5D10L | 2011037 | 5 | 27.44 | 24.84 | 5.34 | 14.00 | 1.91 | 2.59 | 1.94 | 7/16,1/2,9/16,5/8 | - | - | 161 |
| M5D10M | 2011038 | 5 | 27.44 | 24.84 | 8.53 | 14.00 | 1.91 | 2.59 | 1.94 | 7/16,1/2,9/16,5/8 | - | - | 223 |
| 10 TON | | | | | | | | | | | | | |
| M10S10L | 2011040 | 10 | 31.03 | 24.84 | 5.34 | 14.00 | 1.91 | 2.59 | 1.94 | 7/16,1/2,9/16,5/8 | 1.13 | 1.41 | 135 |
| M10S10M | 2011049 | 10 | 31.03 | 24.84 | 8.53 | 14.00 | 1.91 | 2.59 | 1.94 | 7/16,1/2,9/16,5/8 | 1.13 | 1.41 | 199 |
| M10S12L | 2011058 | 10 | 32.88 | 26.59 | 5.34 | 14.00 | 1.91 | 2.59 | 1.94 | 1/2,9/16,5/8,3/4 | 1.13 | 1.41 | 145 |
| M10S12M | 2011067 | 10 | 32.88 | 26.59 | 9.84 | 14.00 | 1.91 | 2.59 | 1.94 | 1/2,9/16,5/8,3/4 | 1.13 | 1.41 | 270 |
| M10S12H | 2011071 | 10 | 32.88 | 26.59 | 13.84 | 14.00 | 1.91 | 2.59 | 1.94 | 1/2,9/16,5/8,3/4 | 1.13 | 1.41 | 435 |
| M10S14L | 2011076 | 10 | 35.12 | 28.84 | 5.34 | 18.00 | 1.91 | 2.59 | 1.94 | 1/2,9/16,5/8,3/4 | 1.13 | 1.41 | 181 |
| M10S14LM | 2011085 | 10 | 35.12 | 28.84 | 7.34 | 18.00 | 1.91 | 2.59 | 1.94 | 1/2,9/16,5/8,3/4 | 1.13 | 1.41 | 275 |
| M10S14M | 2011094 | 10 | 35.12 | 28.84 | 10.28 | 18.00 | 1.91 | 2.59 | 1.94 | 1/2,9/16,5/8,3/4 | 1.13 | 1.41 | 360 |
| M10S14H | 2011097 | 10 | 35.12 | 28.84 | 14.72 | 18.00 | 1.91 | 2.59 | 1.94 | 1/2,9/16,5/8,3/4 | 1.13 | 1.41 | 515 |
| M10S16L | 2011098 | 10 | 37.38 | 31.09 | 5.34 | 20.25 | 1.91 | 2.59 | 1.94 | 9/16,5/8,3/4,7/8 | 1.13 | 1.41 | 220 |
| M10S16M | 2011099 | 10 | 37.38 | 31.09 | 9.72 | 20.25 | 1.91 | 2.59 | 1.94 | 9/16,5/8,3/4,7/8 | 1.13 | 1.41 | 390 |
| M10S16H | 2011100 | 10 | 37.38 | 31.09 | 12.22 | 20.25 | 1.91 | 2.59 | 1.94 | 9/16,5/8,3/4,7/8 | 1.13 | 1.41 | 540 |
| M10D10L | 2011103 | 10 | 27.44 | 24.84 | 5.34 | 14.00 | 1.91 | 2.59 | 1.94 | 7/16,1/2,9/16,5/8 | - | - | 161 |
| M10D10M | 2011112 | 10 | 27.44 | 24.84 | 8.53 | 14.00 | 1.91 | 2.59 | 1.94 | 7/16,1/2,9/16,5/8 | - | - | 220 |
| M10D12L | 2011121 | 10 | 29.19 | 26.59 | 5.34 | 16.00 | 1.91 | 2.59 | 1.94 | 1/2,9/16,5/8,3/4 | - | - | 185 |
| M10D12M | 2011130 | 10 | 29.19 | 26.59 | 9.84 | 16.00 | 1.91 | 2.59 | 1.94 | 1/2,9/16,5/8,3/4 | - | - | 295 |
| M10D12H | 2011135 | 10 | 29.19 | 26.59 | 13.84 | 16.00 | 1.91 | 2.59 | 1.94 | 1/2,9/16,5/8,3/4 | - | - | 450 |
| M10D14L | 2011136 | 10 | 31.44 | 28.44 | 5.34 | 18.00 | 1.91 | 2.59 | 1.94 | 1/2,9/16,5/8,3/4 | - | - | 210 |
| M10D14LM | 2011141 | 10 | 31.44 | 28.44 | 7.34 | 18.00 | 1.91 | 2.59 | 1.94 | 1/2,9/16,5/8,3/4 | - | - | 310 |
| M10D14M | 2011137 | 10 | 31.44 | 28.44 | 10.28 | 18.00 | 1.91 | 2.59 | 1.94 | 1/2,9/16,5/8,3/4 | - | - | 397 |
| M10D14H | 2011138 | 10 | 31.44 | 28.44 | 14.72 | 18.00 | 1.91 | 2.59 | 1.94 | 1/2,9/16,5/8,3/4 | - | - | 560 |
| M10T10L | 2011139 | 10 | 27.56 | 24.97 | 7.69 | 14.00 | 1.91 | 2.59 | 1.94 | 7/16,1/2,9/16,5/8 | - | - | 201 |
| M10T10M | 2011140 | 10 | 27.56 | 24.97 | 11.09 | 14.00 | 1.91 | 2.59 | 1.94 | 7/16,1/2,9/16,5/8 | - | - | 265 |
| 15 TON | | | | | | | | | | | | | |
| M15S10L | 2011148 | 15 | 31.03 | 24.84 | 5.34 | 14.00 | 1.91 | 2.59 | 1.94 | 7/16,1/2,9/16,5/8 | 1.38 | 1.66 | 137 |
| M15S10M | 2011157 | 15 | 31.03 | 24.84 | 8.53 | 14.00 | 1.91 | 2.59 | 1.94 | 7/16,1/2,9/16,5/8 | 1.38 | 1.66 | 200 |
| M15S12L | 2011166 | 15 | 32.88 | 26.59 | 5.34 | 16.00 | 1.91 | 2.59 | 1.94 | 1/2,9/16,5/8,3/4 | 1.38 | 1.66 | 145 |
| M15S12M | 2011175 | 15 | 32.88 | 26.59 | 9.84 | 16.00 | 1.91 | 2.59 | 1.94 | 1/2,9/16,5/8,3/4 | 1.38 | 1.66 | 295 |
| M15S12H | 2011179 | 15 | 32.88 | 26.59 | 13.84 | 16.00 | 1.91 | 2.59 | 1.94 | 1/2,9/16,5/8,3/4 | 1.38 | 1.66 | 435 |
| M15S14L | 2011184 | 15 | 35.12 | 28.84 | 5.34 | 18.00 | 1.91 | 2.59 | 1.94 | 1/2,9/16,5/8,3/4 | 1.38 | 1.66 | 190 |
| M15S14LM | 2011185 | 15 | 35.12 | 28.84 | 7.34 | 18.00 | 1.91 | 2.59 | 1.94 | 1/2,9/16,5/8,3/4 | 1.38 | 1.66 | 290 |
| M15S14M | 2011193 | 15 | 35.12 | 28.84 | 10.28 | 18.00 | 1.91 | 2.59 | 1.94 | 1/2,9/16,5/8,3/4 | 1.38 | 1.66 | 370 |
| M15S14H | 2011198 | 15 | 35.12 | 28.84 | 14.72 | 18.00 | 1.91 | 2.59 | 1.94 | 1/2,9/16,5/8,3/4 | 1.38 | 1.66 | 545 |
| M15S16L | 2011202 | 15 | 37.38 | 31.09 | 5.34 | 20.25 | 1.91 | 2.59 | 1.94 | 9/16,5/8,3/4,7/8 | 1.38 | 1.66 | 240 |
| M15S16M | 2011211 | 15 | 37.38 | 31.09 | 9.72 | 20.25 | 1.91 | 2.59 | 1.94 | 9/16,5/8,3/4,7/8 | 1.38 | 1.66 | 390 |
| M15S16H | 2011215 | 15 | 37.38 | 31.09 | 12.22 | 20.25 | 1.91 | 2.59 | 1.94 | 9/16,5/8,3/4,7/8 | 1.38 | 1.66 | 540 |
| M15D10L | 2011220 | 15 | 27.43 | 24.84 | 5.34 | 14.00 | 1.91 | 2.59 | 1.94 | 7/16,1/2,9/16,5/8 | — | — | 161 |
| M15D10M | 2011229 | 15 | 27.43 | 24.84 | 8.53 | 14.00 | 1.91 | 2.59 | 1.94 | 7/16,1/2,9/16,5/8 | — | — | 220 |
| M15D12L | 2011233 | 15 | 29.19 | 26.59 | 5.34 | 16.00 | 1.91 | 2.59 | 1.94 | 1/2,9/16,5/8,3/4 | — | — | 195 |

McKissick® 380 Series Crane Blocks

| Model No. | Inquiry Stock No. | Working Load Limit (Tons) † | A Overall Length (in.) | B Net Length (in.) | E Thickness (in.) | F Width (in.) | H Throat Opening With Flapper (in.) | J Hook Thickness (in.) | K Hook Width (in.) | Standard Wire Line Sizes (in.)* | Dead End ‡ | | Weight Each (lbs.) |
|---|-------------------|-----------------------------|------------------------|--------------------|-------------------|---------------|-------------------------------------|------------------------|--------------------|---------------------------------|-------------------|------------------|--------------------|
| | | | | | | | | | | | T Thickness (in.) | U Pin Hole (in.) | |
| M15D12M | 2011238 | 15 | 29.19 | 26.59 | 9.84 | 16.00 | 1.91 | 2.59 | 1.94 | 1/2,9/16,5/8,3/4 | — | — | 295 |
| M15D12H | 2011243 | 15 | 29.19 | 26.59 | 13.84 | 16.00 | 1.91 | 2.59 | 1.94 | 1/2,9/16,5/8,3/4 | — | — | 450 |
| M15D14L | 2011256 | 15 | 31.44 | 28.84 | 5.34 | 18.00 | 1.91 | 2.59 | 1.94 | 1/2,9/16,5/8,3/4 | — | — | 210 |
| M15D14LM | 2011257 | 15 | 31.44 | 28.84 | 7.34 | 18.00 | 1.91 | 2.59 | 1.94 | 1/2,9/16,5/8,3/4 | — | — | 310 |
| M15D14M | 2011265 | 15 | 31.44 | 28.84 | 10.28 | 18.00 | 1.91 | 2.59 | 1.94 | 1/2,9/16,5/8,3/4 | — | — | 397 |
| M15D14H | 2011269 | 15 | 31.44 | 28.84 | 14.72 | 18.00 | 1.91 | 2.59 | 1.94 | 1/2,9/16,5/8,3/4 | — | — | 560 |
| M15D16L | 2011270 | 15 | 33.69 | 31.09 | 5.34 | 20.25 | 1.91 | 2.59 | 1.94 | 9/16,5/8,3/4,7/8 | — | — | 299 |
| M15D16M | 2011271 | 15 | 33.69 | 31.09 | 9.72 | 20.25 | 1.91 | 2.59 | 1.94 | 9/16,5/8,3/4,7/8 | — | — | 465 |
| M15D16H | 2011272 | 15 | 33.69 | 31.09 | 12.22 | 20.25 | 1.91 | 2.59 | 1.94 | 9/16,5/8,3/4,7/8 | — | — | 610 |
| M15T10L | 2011273 | 15 | 27.56 | 24.97 | 7.69 | 14.00 | 1.91 | 2.59 | 1.94 | 7/16,1/2,9/16,5/8 | — | — | 201 |
| M15T10M | 2011274 | 15 | 27.56 | 24.97 | 11.09 | 14.00 | 1.91 | 2.59 | 1.94 | 7/16,1/2,9/16,5/8 | — | — | 265 |
| M15T12L | 2011275 | 15 | 29.31 | 26.75 | 7.69 | 16.00 | 1.91 | 2.59 | 1.94 | 1/2,9/16,5/8,3/4 | — | — | 215 |
| M15T12M | 2011283 | 15 | 29.31 | 26.75 | 12.19 | 16.00 | 1.91 | 2.59 | 1.94 | 1/2,9/16,5/8,3/4 | — | — | 340 |
| M15T12H | 2011285 | 15 | 29.31 | 26.75 | 16.19 | 16.00 | 1.91 | 2.59 | 1.94 | 1/2,9/16,5/8,3/4 | — | — | 496 |
| M15Q10L | 2011287 | 15 | 27.50 | 24.91 | 9.94 | 14.00 | 1.91 | 2.59 | 1.94 | 7/16,1/2,9/16,5/8 | — | — | 258 |
| M15Q10M | 2011288 | 15 | 27.50 | 24.91 | 13.12 | 14.00 | 1.91 | 2.59 | 1.94 | 7/16,1/2,9/16,5/8 | — | — | 320 |
| 20 TON | | | | | | | | | | | | | |
| M20S12L | 2011289 | 20 | 34.82 | 28.12 | 5.84 | 16.00 | 2.75 | 2.97 | 2.38 | 1/2,9/16,5/8,3/4 | 1.38 | 1.66 | 200 |
| M20S12M | 2011290 | 20 | 34.82 | 28.12 | 10.34 | 16.00 | 2.75 | 2.97 | 2.38 | 1/2,9/16,5/8,3/4 | 1.38 | 1.66 | 310 |
| M20S12H | 2011291 | 20 | 34.82 | 28.12 | 14.34 | 16.00 | 2.75 | 2.97 | 2.38 | 1/2,9/16,5/8,3/4 | 1.38 | 1.66 | 470 |
| M20S14L | 2011301 | 20 | 37.06 | 30.38 | 5.84 | 18.00 | 2.75 | 2.97 | 2.38 | 1/2,9/16,5/8,3/4 | 1.38 | 1.66 | 240 |
| M20S14LM | 2011302 | 20 | 37.06 | 30.38 | 7.84 | 18.00 | 2.75 | 2.97 | 2.38 | 1/2,9/16,5/8,3/4 | 1.38 | 1.66 | 355 |
| M20S14M | 2011310 | 20 | 37.06 | 30.38 | 10.78 | 18.00 | 2.75 | 2.97 | 2.38 | 1/2,9/16,5/8,3/4 | 1.38 | 1.66 | 410 |
| M20S14H | 2011314 | 20 | 37.06 | 30.38 | 15.22 | 18.00 | 2.75 | 2.97 | 2.38 | 1/2,9/16,5/8,3/4 | 1.38 | 1.66 | 580 |
| M20S16L | 2011315 | 20 | 39.31 | 32.63 | 5.84 | 20.25 | 2.75 | 2.97 | 2.38 | 9/16,5/8,3/4,7/8 | 1.38 | 1.66 | 280 |
| M20S16M | 2011316 | 20 | 39.31 | 32.63 | 10.19 | 20.25 | 2.75 | 2.97 | 2.38 | 9/16,5/8,3/4,7/8 | 1.38 | 1.66 | 445 |
| M20S16H | 2011317 | 20 | 39.31 | 32.63 | 12.69 | 20.25 | 2.75 | 2.97 | 2.38 | 9/16,5/8,3/4,7/8 | 1.38 | 1.66 | 600 |
| M20S18L | 2011319 | 20 | 44.28 | 36.56 | 6.84 | 22.75 | 2.75 | 2.97 | 2.38 | 5/8,3/4,7/8,1 | 1.53 | 2.06 | 400 |
| M20S18M | 2011328 | 20 | 44.28 | 36.56 | 10.97 | 22.75 | 2.75 | 2.97 | 2.38 | 5/8,3/4,7/8,1 | 1.53 | 2.06 | 620 |
| M20S18H | 2011333 | 20 | 44.28 | 36.56 | 12.97 | 22.75 | 2.75 | 2.97 | 2.38 | 5/8,3/4,7/8,1 | 1.53 | 2.06 | 760 |
| M20S24L | 2011330 | 20 | 50.19 | 42.44 | 6.84 | 28.75 | 2.75 | 2.97 | 2.38 | 7/8,1,1-1/8,1-1/4 | 1.38 | 1.66 | 545 |
| M20S24M | 2011331 | 20 | 50.19 | 42.44 | 14.59 | 28.75 | 2.75 | 2.97 | 2.38 | 7/8,1,1-1/8,1-1/4 | 1.38 | 1.66 | 1177 |
| M20S24H | 2011332 | 20 | 50.19 | 42.44 | 18.59 | 28.75 | 2.75 | 2.97 | 2.38 | 7/8,1,1-1/8,1-1/4 | 1.38 | 1.66 | 1660 |
| M20D10L | 2011335 | 20 | 29.38 | 26.38 | 5.84 | 14.00 | 2.75 | 2.97 | 2.38 | 7/16,1/2,9/16,5/8 | — | — | 200 |
| M20D10M | 2011337 | 20 | 29.38 | 26.38 | 9.03 | 14.00 | 2.75 | 2.97 | 2.38 | 7/16,1/2,9/16,5/8 | — | — | 260 |
| M20D12L | 2011346 | 20 | 31.12 | 28.12 | 5.84 | 16.00 | 2.75 | 2.97 | 2.38 | 1/2,9/16,5/8,3/4 | — | — | 228 |
| M20D12M | 2011355 | 20 | 31.12 | 28.12 | 10.34 | 16.00 | 2.75 | 2.97 | 2.38 | 1/2,9/16,5/8,3/4 | — | — | 340 |
| M20D12H | 2011364 | 20 | 31.12 | 28.12 | 14.34 | 16.00 | 2.75 | 2.97 | 2.38 | 1/2,9/16,5/8,3/4 | — | — | 505 |
| M20D14L | 2011373 | 20 | 33.38 | 30.38 | 5.84 | 18.00 | 2.75 | 2.97 | 2.38 | 1/2,9/16,5/8,3/4 | — | — | 280 |
| M20D14LM | 2011374 | 20 | 33.38 | 30.38 | 7.84 | 18.00 | 2.75 | 2.97 | 2.38 | 1/2,9/16,5/8,3/4 | — | — | 380 |
| M20D14M | 2011375 | 20 | 33.38 | 30.38 | 10.78 | 18.00 | 2.75 | 2.97 | 2.38 | 1/2,9/16,5/8,3/4 | — | — | 465 |
| M20D14H | 2011377 | 20 | 33.38 | 30.38 | 15.22 | 18.00 | 2.75 | 2.97 | 2.38 | 1/2,9/16,5/8,3/4 | — | — | 620 |
| M20D16L | 2011378 | 20 | 35.62 | 32.62 | 5.84 | 20.25 | 2.75 | 2.97 | 2.38 | 9/16,5/8,3/4,7/8 | — | — | 325 |
| M20D16M | 2011379 | 20 | 35.62 | 32.62 | 10.22 | 20.25 | 2.75 | 2.97 | 2.38 | 9/16,5/8,3/4,7/8 | — | — | 480 |
| M20D16H | 2011380 | 20 | 35.62 | 32.62 | 12.72 | 20.25 | 2.75 | 2.97 | 2.38 | 9/16,5/8,3/4,7/8 | — | — | 635 |
| M20T10L | 2011381 | 20 | 29.50 | 26.5 | 8.19 | 14.00 | 2.75 | 2.97 | 2.38 | 7/16,1/2,9/16,5/8 | — | — | 238 |
| M20T10M | 2011382 | 20 | 29.50 | 26.5 | 11.38 | 14.00 | 2.75 | 2.97 | 2.38 | 7/16,1/2,9/16,5/8 | — | — | 300 |
| M20T12L | 2011391 | 20 | 31.25 | 28.25 | 8.19 | 16.00 | 2.75 | 2.97 | 2.38 | 1/2,9/16,5/8,3/4 | — | — | 266 |
| M20T12M | 2011400 | 20 | 31.25 | 28.25 | 12.66 | 16.00 | 2.75 | 2.97 | 2.38 | 1/2,9/16,5/8,3/4 | — | — | 390 |
| M20T12H | 2011409 | 20 | 31.25 | 28.25 | 16.69 | 16.00 | 2.75 | 2.97 | 2.38 | 1/2,9/16,5/8,3/4 | — | — | 555 |
| M20T14L | 2011418 | 20 | 33.50 | 30.50 | 8.19 | 18.00 | 2.75 | 2.97 | 2.38 | 1/2,9/16,5/8,3/4 | — | — | 335 |
| M20T14LM | 2011420 | 20 | 33.50 | 30.50 | 10.19 | 18.00 | 2.75 | 2.97 | 2.38 | 1/2,9/16,5/8,3/4 | — | — | 430 |
| M20T14M | 2011427 | 20 | 33.50 | 30.50 | 13.06 | 18.00 | 2.75 | 2.97 | 2.38 | 1/2,9/16,5/8,3/4 | — | — | 520 |
| M20T14H | 2011432 | 20 | 33.50 | 30.50 | 17.50 | 18.00 | 2.75 | 2.97 | 2.38 | 1/2,9/16,5/8,3/4 | — | — | 675 |
| M20Q10L | 2011433 | 20 | 29.44 | 26.44 | 10.44 | 14.00 | 2.75 | 2.97 | 2.38 | 7/16,1/2,9/16,5/8 | — | — | 310 |
| M20Q10M | 2011434 | 20 | 29.44 | 26.44 | 13.62 | 14.00 | 2.75 | 2.97 | 2.38 | 7/16,1/2,9/16,5/8 | — | — | 360 |
| M20Q12L | 2011435 | 20 | 31.19 | 28.19 | 10.44 | 16.00 | 2.75 | 2.97 | 2.38 | 1/2,9/16,5/8,3/4 | — | — | 335 |
| M20Q12M | 2011436 | 20 | 31.19 | 28.19 | 14.94 | 16.00 | 2.75 | 2.97 | 2.38 | 1/2,9/16,5/8,3/4 | — | — | 490 |
| M20Q12H | 2011437 | 20 | 31.19 | 28.19 | 18.94 | 16.00 | 2.75 | 2.97 | 2.38 | 1/2,9/16,5/8,3/4 | — | — | 620 |
| 25 TON @ - Ultimate Load is 3.6 times the Working Load Limit | | | | | | | | | | | | | |
| M25S14L | 2011441 | 25@ | 37.06 | 30.38 | 5.84 | 18.00 | 2.75 | 2.97 | 2.38 | 1/2,9/16,5/8,3/4 | 1.38 | 1.66 | 240 |
| M25S14LM | 2011443 | 25@ | 37.06 | 30.38 | 7.84 | 18.00 | 2.75 | 2.97 | 2.38 | 1/2,9/16,5/8,3/4 | 1.38 | 1.66 | 350 |
| M25S14M | 2011445 | 25@ | 37.06 | 30.38 | 10.78 | 18.00 | 2.75 | 2.97 | 2.38 | 1/2,9/16,5/8,3/4 | 1.38 | 1.66 | 415 |
| M25S14H | 2011448 | 25@ | 37.06 | 30.38 | 15.22 | 18.00 | 2.75 | 2.97 | 2.38 | 1/2,9/16,5/8,3/4 | 1.38 | 1.66 | 560 |
| M25S16L | 2011451 | 25@ | 39.31 | 32.62 | 5.84 | 20.25 | 2.75 | 2.97 | 2.38 | 9/16,5/8,3/4,7/8 | 1.50 | 1.66 | 280 |
| M25S16M | 2011454 | 25@ | 39.31 | 32.62 | 10.22 | 20.25 | 2.75 | 2.97 | 2.38 | 9/16,5/8,3/4,7/8 | 1.50 | 1.66 | 445 |
| M25S16H | 2011457 | 25@ | 39.31 | 32.62 | 12.72 | 20.25 | 2.75 | 2.97 | 2.38 | 9/16,5/8,3/4,7/8 | 1.50 | 1.66 | 590 |
| M25S18L | 2011461 | 25@ | 44.28 | 36.56 | 6.84 | 22.75 | 2.75 | 2.97 | 2.38 | 5/8,3/4,7/8,1 | 1.53 | 2.06 | 390 |
| M25S18M | 2011463 | 25@ | 44.28 | 36.56 | 10.97 | 22.75 | 2.75 | 2.97 | 2.38 | 5/8,3/4,7/8,1 | 1.53 | 2.06 | 620 |
| M25S18H | 2011467 | 25@ | 44.28 | 36.56 | 12.97 | 22.75 | 2.75 | 2.97 | 2.38 | 5/8,3/4,7/8,1 | 1.53 | 2.06 | 760 |

McKissick® 380 Series Crane Blocks

| Model No. | Inquiry Stock No. | Working Load Limit (Tons) † | A Overall Length (in.) | B Net Length (in.) | E Thickness (in.) | F Width (in.) | H Throat Opening With Flapper (in.) | J Hook Thickness (in.) | K Hook Width (in.) | Standard Wire Line Sizes (in.)* | Dead End ‡ | | Weight Each (lbs.) |
|---------------|-------------------|-----------------------------|------------------------|--------------------|-------------------|---------------|-------------------------------------|------------------------|--------------------|---------------------------------|-------------------|------------------|--------------------|
| | | | | | | | | | | | T Thickness (in.) | U Pin Hole (in.) | |
| M25S20L | 2011458 | 25@ | 46.19 | 38.44 | 6.84 | 24.75 | 2.75 | 2.97 | 2.38 | 3/4,7/8,1,1-1/8 | 1.50 | 2.06 | 435 |
| M25S20M | 2011459 | 25@ | 46.19 | 38.44 | 11.34 | 24.75 | 2.75 | 2.97 | 2.38 | 3/4,7/8,1,1-1/8 | 1.50 | 2.06 | 655 |
| M25S20H | 2011460 | 25@ | 46.19 | 38.44 | 15.34 | 24.75 | 2.75 | 2.97 | 2.38 | 3/4,7/8,1,1-1/8 | 1.50 | 2.06 | 803 |
| M25S24L | 2011464 | 25@ | 50.19 | 42.44 | 6.84 | 28.75 | 2.75 | 2.97 | 2.38 | 7/8,1,1-1/8,1-1/4 | 1.50 | 2.06 | 545 |
| M25S24M | 2011465 | 25@ | 50.19 | 42.44 | 14.59 | 28.75 | 2.75 | 2.97 | 2.38 | 7/8,1,1-1/8,1-1/4 | 1.50 | 2.06 | 1180 |
| M25S24H | 2011466 | 25@ | 50.19 | 42.44 | 18.59 | 28.75 | 2.75 | 2.97 | 2.38 | 7/8,1,1-1/8,1-1/4 | 1.50 | 2.06 | 1660 |
| M25D12L | 2011468 | 25@ | 31.12 | 28.12 | 5.84 | 16.00 | 2.75 | 2.97 | 2.38 | 1/2,9/16,5/8,3/4 | — | — | 228 |
| M25D12M | 2011469 | 25@ | 31.12 | 28.12 | 10.34 | 16.00 | 2.75 | 2.97 | 2.38 | 1/2,9/16,5/8,3/4 | — | — | 340 |
| M25D12H | 2011470 | 25@ | 31.12 | 28.12 | 14.34 | 16.00 | 2.75 | 2.97 | 2.38 | 1/2,9/16,5/8,3/4 | — | — | 505 |
| M25D14L | 2011472 | 25@ | 33.38 | 30.38 | 5.84 | 18.00 | 2.75 | 2.97 | 2.38 | 1/2,9/16,5/8,3/4 | — | — | 280 |
| M25D14LM | 2011481 | 25@ | 33.38 | 30.38 | 7.75 | 18.00 | 2.75 | 2.97 | 2.38 | 1/2,9/16,5/8,3/4 | — | — | 350 |
| M25D14M | 2011490 | 25@ | 33.38 | 30.38 | 10.78 | 18.00 | 2.75 | 2.97 | 2.38 | 1/2,9/16,5/8,3/4 | — | — | 465 |
| M25D14H | 2011495 | 25@ | 33.38 | 30.38 | 15.22 | 18.00 | 2.75 | 2.97 | 2.38 | 1/2,9/16,5/8,3/4 | — | — | 610 |
| M25D16L | 2011499 | 25@ | 35.63 | 32.62 | 5.84 | 20.25 | 2.75 | 2.97 | 2.38 | 9/16,5/8,3/4,7/8 | — | — | 325 |
| M25D16M | 2011508 | 25@ | 35.63 | 32.62 | 10.22 | 20.25 | 2.75 | 2.97 | 2.38 | 9/16,5/8,3/4,7/8 | — | — | 480 |
| M25D16H | 2011512 | 25@ | 35.63 | 32.62 | 12.72 | 20.25 | 2.75 | 2.97 | 2.38 | 9/16,5/8,3/4,7/8 | — | — | 635 |
| M25D18L | 2011576 | 25@ | 39.50 | 36.50 | 6.84 | 22.75 | 2.75 | 2.97 | 2.38 | 5/8,3/4,7/8,1 | — | — | 470 |
| M25D18M | 2011579 | 25@ | 39.50 | 36.50 | 10.97 | 22.75 | 2.75 | 2.97 | 2.38 | 5/8,3/4,7/8,1 | — | — | 705 |
| M25D18H | 2011581 | 25@ | 39.50 | 36.50 | 12.97 | 22.75 | 2.75 | 2.97 | 2.38 | 5/8,3/4,7/8,1 | — | — | 840 |
| M25T10L | 2011514 | 25@ | 29.50 | 26.50 | 8.19 | 14.00 | 2.75 | 2.97 | 2.38 | 7/16,1/2,9/16,5/8 | — | — | 238 |
| M25T10M | 2011515 | 25@ | 29.50 | 26.50 | 11.38 | 14.00 | 2.75 | 2.97 | 2.38 | 7/16,1/2,9/16,5/8 | — | — | 300 |
| M25T12L | 2011517 | 25@ | 31.25 | 28.25 | 8.19 | 16.00 | 2.75 | 2.97 | 2.38 | 1/2,9/16,5/8,3/4 | — | — | 266 |
| M25T12M | 2011526 | 25@ | 31.25 | 28.25 | 12.66 | 16.00 | 2.75 | 2.97 | 2.38 | 1/2,9/16,5/8,3/4 | — | — | 390 |
| M25T12H | 2011531 | 25@ | 31.25 | 28.25 | 16.69 | 16.00 | 2.75 | 2.97 | 2.38 | 1/2,9/16,5/8,3/4 | — | — | 540 |
| M25T14L | 2011535 | 25@ | 33.50 | 30.50 | 8.19 | 18.00 | 2.75 | 2.97 | 2.38 | 1/2,9/16,5/8,3/4 | — | — | 335 |
| M25T14LM | 2011540 | 25@ | 33.50 | 30.50 | 10.19 | 18.00 | 2.75 | 2.97 | 2.38 | 1/2,9/16,5/8,3/4 | — | — | 495 |
| M25T14M | 2011544 | 25@ | 33.50 | 30.50 | 13.06 | 18.00 | 2.75 | 2.97 | 2.38 | 1/2,9/16,5/8,3/4 | — | — | 520 |
| M25T14H | 2011553 | 25@ | 33.50 | 30.50 | 17.50 | 18.00 | 2.75 | 2.97 | 2.38 | 1/2,9/16,5/8,3/4 | — | — | 675 |
| M25T16L | 2011562 | 25@ | 35.75 | 32.75 | 8.19 | 20.25 | 2.75 | 2.97 | 2.38 | 9/16,5/8,3/4,7/8 | — | — | 389 |
| M25T16M | 2011571 | 25@ | 35.75 | 32.75 | 12.53 | 20.25 | 2.75 | 2.97 | 2.38 | 9/16,5/8,3/4,7/8 | — | — | 555 |
| M25T16H | 2011575 | 25@ | 35.75 | 32.75 | 15.03 | 20.25 | 2.75 | 2.97 | 2.38 | 9/16,5/8,3/4,7/8 | — | — | 700 |
| M25T18L | 2011578 | 25@ | 39.53 | 36.56 | 9.91 | 22.75 | 2.75 | 2.97 | 2.38 | 5/8,3/4,7/8,1 | — | — | 585 |
| M25T18M | 2011580 | 25@ | 39.53 | 36.56 | 14.03 | 22.75 | 2.75 | 2.97 | 2.38 | 5/8,3/4,7/8,1 | — | — | 805 |
| M25T18H | 2011587 | 25@ | 39.53 | 36.56 | 16.03 | 22.75 | 2.75 | 2.97 | 2.38 | 5/8,3/4,7/8,1 | — | — | 939 |
| M25Q10L | 2011588 | 25@ | 29.44 | 26.44 | 10.44 | 14.00 | 2.75 | 2.97 | 2.38 | 7/16,1/2,9/16,5/8 | — | — | 310 |
| M25Q10M | 2011589 | 25@ | 29.44 | 26.44 | 13.62 | 14.00 | 2.75 | 2.97 | 2.38 | 7/16,1/2,9/16,5/8 | — | — | 370 |
| M25Q12L | 2011590 | 25@ | 31.19 | 28.19 | 10.44 | 16.00 | 2.75 | 2.97 | 2.38 | 1/2,9/16,5/8,3/4 | — | — | 335 |
| M25Q12M | 2011591 | 25@ | 31.19 | 28.19 | 14.94 | 16.00 | 2.75 | 2.97 | 2.38 | 1/2,9/16,5/8,3/4 | — | — | 455 |
| M25Q12H | 2011592 | 25@ | 31.19 | 28.19 | 18.94 | 16.00 | 2.75 | 2.97 | 2.38 | 1/2,9/16,5/8,3/4 | — | — | 620 |
| M25Q14L | 2011593 | 25@ | 33.44 | 30.44 | 10.44 | 18.00 | 2.75 | 2.97 | 2.38 | 1/2,9/16,5/8,3/4 | — | — | 426 |
| M25Q14LM | 2011596 | 25@ | 33.44 | 30.44 | 12.44 | 18.00 | 2.75 | 2.97 | 2.38 | 1/2,9/16,5/8,3/4 | — | — | 485 |
| M25Q14H | 2011594 | 25@ | 33.44 | 30.44 | 15.38 | 18.00 | 2.75 | 2.97 | 2.38 | 1/2,9/16,5/8,3/4 | — | — | 602 |
| M25Q14M | 2011595 | 25@ | 33.44 | 30.44 | 19.81 | 18.00 | 2.75 | 2.97 | 2.38 | 1/2,9/16,5/8,3/4 | — | — | 750 |
| 30 TON | | | | | | | | | | | | | |
| M30S16L | 2011598 | 30 | 43.41 | 36.09 | 5.84 | 20.25 | 3.25 | 3.62 | 3.00 | 9/16,5/8, 3/4,7/8 | 1.50 | 1.66 | 305 |
| M30S16M | 2011607 | 30 | 43.41 | 36.09 | 10.22 | 20.25 | 3.25 | 3.62 | 3.00 | 9/16,5/8, 3/4,7/8 | 1.50 | 1.66 | 465 |
| M30S16H | 2011613 | 30 | 43.41 | 36.09 | 12.72 | 20.25 | 3.25 | 3.62 | 3.00 | 9/16,5/8, 3/4,7/8 | 1.50 | 1.66 | 620 |
| M30S18L | 2011616 | 30 | 46.00 | 37.59 | 6.84 | 22.75 | 3.25 | 3.62 | 3.00 | 5/8,3/4, 7/8, 1 | 1.53 | 2.06 | 420 |
| M30S18M | 2011625 | 30 | 46.00 | 37.59 | 10.97 | 22.75 | 3.25 | 3.62 | 3.00 | 5/8,3/4, 7/8, 1 | 1.53 | 2.06 | 640 |
| M30S18H | 2011629 | 30 | 46.00 | 37.59 | 12.96 | 22.75 | 3.25 | 3.62 | 3.00 | 5/8,3/4, 7/8, 1 | 1.53 | 2.06 | 774 |
| M30S20L | 2011631 | 30 | 49.50 | 41.09 | 6.84 | 24.75 | 3.25 | 3.62 | 3.00 | 3/4,7/8, 1,1-1/8 | 1.50 | 2.06 | 468 |
| M30S20M | 2011634 | 30 | 49.50 | 41.09 | 11.34 | 24.75 | 3.25 | 3.62 | 3.00 | 3/4,7/8, 1,1-1/8 | 1.50 | 2.06 | 765 |
| M30S20H | 2011638 | 30 | 49.50 | 41.09 | 15.34 | 24.75 | 3.25 | 3.62 | 3.00 | 3/4,7/8, 1,1-1/8 | 1.50 | 2.06 | 1120 |
| M30S24L | 2011639 | 30 | 53.50 | 45.09 | 6.84 | 28.75 | 3.25 | 3.62 | 3.00 | 7/8,1,1-1/8,1-1/4 | 1.50 | 2.06 | 740 |
| M30S24M | 2011640 | 30 | 53.50 | 45.09 | 14.59 | 28.75 | 3.25 | 3.62 | 3.00 | 7/8,1,1-1/8,1-1/4 | 1.50 | 2.06 | 1410 |
| M30S24H | 2011641 | 30 | 53.50 | 45.09 | 18.59 | 28.75 | 3.25 | 3.62 | 3.00 | 7/8,1,1-1/8,1-1/4 | 1.50 | 2.06 | 1890 |
| M30D14L | 2011643 | 30 | 37.47 | 33.84 | 5.84 | 18.00 | 3.25 | 3.62 | 3.00 | 1/2,9/16, 5/8,3/4 | — | — | 298 |
| M30D14LM | 2011659 | 30 | 37.47 | 33.84 | 7.84 | 18.00 | 3.25 | 3.62 | 3.00 | 1/2,9/16, 5/8,3/4 | — | — | 380 |
| M30D14M | 2011652 | 30 | 37.47 | 33.84 | 10.78 | 18.00 | 3.25 | 3.62 | 3.00 | 1/2,9/16, 5/8,3/4 | — | — | 480 |
| M30D14H | 2011658 | 30 | 37.47 | 33.84 | 15.22 | 18.00 | 3.25 | 3.62 | 3.00 | 1/2,9/16, 5/8,3/4 | — | — | 646 |
| M30D16L | 2011661 | 30 | 39.72 | 36.09 | 5.84 | 20.25 | 3.25 | 3.62 | 3.00 | 9/16,5/8, 3/4,7/8 | — | — | 350 |
| M30D16M | 2011670 | 30 | 39.72 | 36.09 | 10.22 | 20.25 | 3.25 | 3.62 | 3.00 | 9/16,5/8, 3/4,7/8 | — | — | 508 |
| M30D16H | 2011672 | 30 | 39.72 | 36.09 | 12.72 | 20.25 | 3.25 | 3.62 | 3.00 | 9/16,5/8, 3/4,7/8 | — | — | 654 |
| M30D18L | 2011675 | 30 | 41.25 | 37.59 | 6.84 | 22.75 | 3.25 | 3.62 | 3.00 | 5/8,3/4, 7/8, 1 | — | — | 490 |
| M30D18M | 2011676 | 30 | 41.25 | 37.59 | 10.97 | 22.75 | 3.25 | 3.62 | 3.00 | 5/8,3/4, 7/8, 1 | — | — | 710 |
| M30D18H | 2011677 | 30 | 41.25 | 37.59 | 12.96 | 22.75 | 3.25 | 3.62 | 3.00 | 5/8,3/4, 7/8, 1 | — | — | 844 |
| M30T12L | 2011679 | 30 | 35.25 | 31.59 | 8.19 | 16.00 | 3.25 | 3.62 | 3.00 | 1/2,9/16, 5/8,3/4 | — | — | 320 |
| M30T12M | 2011680 | 30 | 35.25 | 31.59 | 12.66 | 16.00 | 3.25 | 3.62 | 3.00 | 1/2,9/16, 5/8,3/4 | — | — | 444 |
| M30T12H | 2011681 | 30 | 35.25 | 31.59 | 16.69 | 16.00 | 3.25 | 3.62 | 3.00 | 1/2,9/16, 5/8,3/4 | — | — | 595 |
| M30T14L | 2011688 | 30 | 37.50 | 33.84 | 8.19 | 18.00 | 3.25 | 3.62 | 3.00 | 1/2,9/16, 5/8,3/4 | — | — | 390 |

McKissick® 380 Series Crane Blocks

| Model No. | Inquiry Stock No. | Working Load Limit (Tons) † | A Overall Length (in.) | B Net Length (in.) | E Thickness (in.) | F Width (in.) | H Throat Opening With Flapper (in.) | J Hook Thickness (in.) | K Hook Width (in.) | Standard Wire Line Sizes (in.)* | Dead End ‡ | | Weight Each (lbs.) |
|---------------|-------------------|-----------------------------|------------------------|--------------------|-------------------|---------------|-------------------------------------|------------------------|--------------------|---------------------------------|-------------------|------------------|--------------------|
| | | | | | | | | | | | T Thickness (in.) | U Pin Hole (in.) | |
| M30T14LM | 2011703 | 30 | 37.50 | 33.84 | 10.12 | 18.00 | 3.25 | 3.62 | 3.00 | 1/2, 9/16, 5/8, 3/4 | — | — | 480 |
| M30T14M | 2011697 | 30 | 37.50 | 33.84 | 13.06 | 18.00 | 3.25 | 3.62 | 3.00 | 1/2, 9/16, 5/8, 3/4 | — | — | 575 |
| M30T14H | 2011702 | 30 | 37.50 | 33.84 | 17.50 | 18.00 | 3.25 | 3.62 | 3.00 | 1/2, 9/16, 5/8, 3/4 | — | — | 743 |
| M30T16L | 2011706 | 30 | 39.75 | 36.09 | 8.19 | 20.25 | 3.25 | 3.62 | 3.00 | 9/16, 5/8, 3/4, 7/8 | — | — | 454 |
| M30T16M | 2011708 | 30 | 39.75 | 36.09 | 12.53 | 20.25 | 3.25 | 3.62 | 3.00 | 9/16, 5/8, 3/4, 7/8 | — | — | 610 |
| M30T16H | 2011710 | 30 | 39.75 | 36.09 | 15.03 | 20.25 | 3.25 | 3.62 | 3.00 | 9/16, 5/8, 3/4, 7/8 | — | — | 755 |
| M30T18L | 2011712 | 30 | 41.25 | 37.59 | 9.91 | 22.75 | 3.25 | 3.62 | 3.00 | 5/8, 3/4, 7/8, 1 | — | — | 620 |
| M30T18M | 2011715 | 30 | 41.25 | 37.59 | 14.03 | 22.75 | 3.25 | 3.62 | 3.00 | 5/8, 3/4, 7/8, 1 | — | — | 855 |
| M30T18H | 2011719 | 30 | 41.25 | 37.59 | 16.03 | 22.75 | 3.25 | 3.62 | 3.00 | 5/8, 3/4, 7/8, 1 | — | — | 989 |
| M30T20L | 2011742 | 30 | 43.25 | 39.59 | 9.91 | 24.75 | 3.25 | 3.62 | 3.00 | 3/4, 7/8, 1, 1-1/8 | — | — | 688 |
| M30T20M | 2011743 | 30 | 43.25 | 39.59 | 14.41 | 24.75 | 3.25 | 3.62 | 3.00 | 3/4, 7/8, 1, 1-1/8 | — | — | 990 |
| M30T20H | 2011744 | 30 | 43.25 | 39.59 | 18.41 | 24.75 | 3.25 | 3.62 | 3.00 | 3/4, 7/8, 1, 1-1/8 | — | — | 1340 |
| M30Q10L | 2011714 | 30 | 33.50 | 29.84 | 10.44 | 14.00 | 3.25 | 3.62 | 3.00 | 7/16, 1/2, 9/16, 5/8 | — | — | 350 |
| M30Q10M | 2011716 | 30 | 33.50 | 29.84 | 13.62 | 14.00 | 3.25 | 3.62 | 3.00 | 7/16, 1/2, 9/16, 5/8 | — | — | 405 |
| M30Q12L | 2011717 | 30 | 35.25 | 31.59 | 10.44 | 16.00 | 3.25 | 3.62 | 3.00 | 1/2, 9/16, 5/8, 3/4 | — | — | 370 |
| M30Q12M | 2011718 | 30 | 35.25 | 31.59 | 14.94 | 16.00 | 3.25 | 3.62 | 3.00 | 1/2, 9/16, 5/8, 3/4 | — | — | 496 |
| M30Q12H | 2011720 | 30 | 35.25 | 31.59 | 18.94 | 16.00 | 3.25 | 3.62 | 3.00 | 1/2, 9/16, 5/8, 3/4 | — | — | 655 |
| M30Q14L | 2011724 | 30 | 37.50 | 33.84 | 10.44 | 18.00 | 3.25 | 3.62 | 3.00 | 1/2, 9/16, 5/8, 3/4 | — | — | 455 |
| M30Q14LM | 2011741 | 30 | 37.50 | 33.84 | 12.44 | 18.00 | 3.25 | 3.62 | 3.00 | 1/2, 9/16, 5/8, 3/4 | — | — | 520 |
| M30Q14M | 2011733 | 30 | 37.50 | 33.84 | 15.44 | 18.00 | 3.25 | 3.62 | 3.00 | 1/2, 9/16, 5/8, 3/4 | — | — | 640 |
| M30Q14H | 2011737 | 30 | 37.50 | 33.84 | 19.88 | 18.00 | 3.25 | 3.62 | 3.00 | 1/2, 9/16, 5/8, 3/4 | — | — | 798 |
| M30Q16L | 2011738 | 30 | 39.75 | 36.09 | 10.44 | 20.25 | 3.25 | 3.62 | 3.00 | 9/16, 5/8, 3/4, 7/8 | — | — | 430 |
| M30Q16M | 2011739 | 30 | 39.75 | 36.09 | 14.88 | 20.25 | 3.25 | 3.62 | 3.00 | 9/16, 5/8, 3/4, 7/8 | — | — | 585 |
| M30Q16H | 2011740 | 30 | 39.75 | 36.09 | 17.38 | 20.25 | 3.25 | 3.62 | 3.00 | 9/16, 5/8, 3/4, 7/8 | — | — | 731 |
| 35 TON | | | | | | | | | | | | | |
| M35S18L | 2011745 | 35 | 50.00 | 40.69 | 6.84 | 22.75 | 3.00 | 4.56 | 3.62 | 5/8, 3/4, 7/8, 1 | 1.50 | 2.06 | 600 |
| M35S18M | 2011746 | 35 | 50.00 | 40.69 | 10.97 | 22.75 | 3.00 | 4.56 | 3.62 | 5/8, 3/4, 7/8, 1 | 1.50 | 2.06 | 731 |
| M35S18H | 2011747 | 35 | 50.00 | 40.69 | 12.97 | 22.75 | 3.00 | 4.56 | 3.62 | 5/8, 3/4, 7/8, 1 | 1.50 | 2.06 | 865 |
| M35S20L | 2011748 | 35 | 53.50 | 44.19 | 6.84 | 24.75 | 3.00 | 4.56 | 3.62 | 3/4, 7/8, 1, 1-1/8 | 1.50 | 2.06 | 539 |
| M35S20M | 2011751 | 35 | 53.50 | 44.49 | 11.34 | 24.75 | 3.00 | 4.56 | 3.62 | 3/4, 7/8, 1, 1-1/8 | 1.50 | 2.06 | 835 |
| M35S20H | 2011755 | 35 | 53.50 | 44.19 | 15.34 | 24.75 | 3.00 | 4.56 | 3.62 | 3/4, 7/8, 1, 1-1/8 | 1.50 | 2.06 | 1181 |
| M35S24L | 2011752 | 35 | 57.50 | 48.19 | 6.84 | 28.75 | 3.00 | 4.56 | 3.62 | 7/8, 1, 1-1/8, 1-1/4 | 1.50 | 2.06 | 740 |
| M35S24M | 2011753 | 35 | 57.50 | 48.19 | 14.59 | 28.75 | 3.00 | 4.56 | 3.62 | 7/8, 1, 1-1/8, 1-1/4 | 1.50 | 2.06 | 1410 |
| M35S24H | 2011754 | 35 | 57.50 | 48.19 | 18.59 | 28.75 | 3.00 | 4.56 | 3.62 | 7/8, 1, 1-1/8, 1-1/4 | 1.50 | 2.06 | 1890 |
| M35D16L | 2011756 | 35 | 43.75 | 39.19 | 6.84 | 20.25 | 3.00 | 4.56 | 3.62 | 9/16, 5/8, 3/4, 7/8 | — | — | 430 |
| M35D16M | 2011757 | 35 | 43.75 | 39.19 | 11.22 | 20.25 | 3.00 | 4.56 | 3.62 | 9/16, 5/8, 3/4, 7/8 | — | — | 585 |
| M35D16H | 2011758 | 35 | 43.75 | 39.19 | 13.72 | 20.25 | 3.00 | 4.56 | 3.62 | 9/16, 5/8, 3/4, 7/8 | — | — | 731 |
| M35D18L | 2011760 | 35 | 41.22 | 37.59 | 9.91 | 22.75 | 3.00 | 4.56 | 3.62 | 5/8, 3/4, 7/8, 1 | — | — | 560 |
| M35D18M | 2011769 | 35 | 41.22 | 37.59 | 14.03 | 22.75 | 3.00 | 4.56 | 3.62 | 5/8, 3/4, 7/8, 1 | — | — | 805 |
| M35D18H | 2011774 | 35 | 41.22 | 37.59 | 16.03 | 22.75 | 3.00 | 4.56 | 3.62 | 5/8, 3/4, 7/8, 1 | — | — | 934 |
| M35T14L | 2011778 | 35 | 41.56 | 36.94 | 8.19 | 18.00 | 3.00 | 4.56 | 3.62 | 1/2, 9/16, 5/8, 3/4 | — | — | 450 |
| M35T14LM | 2011792 | 35 | 41.56 | 36.94 | 10.19 | 18.00 | 3.00 | 4.56 | 3.62 | 1/2, 9/16, 5/8, 3/4 | — | — | 540 |
| M35T14H | 2011787 | 35 | 41.56 | 36.94 | 13.06 | 18.00 | 3.00 | 4.56 | 3.62 | 1/2, 9/16, 5/8, 3/4 | — | — | 630 |
| M35T14M | 2011793 | 35 | 41.56 | 36.94 | 17.50 | 18.00 | 3.00 | 4.56 | 3.62 | 1/2, 9/16, 5/8, 3/4 | — | — | 788 |
| M35T16L | 2011794 | 35 | 43.81 | 39.19 | 8.19 | 20.25 | 3.00 | 4.56 | 3.62 | 9/16, 5/8, 3/4, 7/8 | — | — | 500 |
| M35T16M | 2011795 | 35 | 43.81 | 39.19 | 12.53 | 20.25 | 3.00 | 4.56 | 3.62 | 9/16, 5/8, 3/4, 7/8 | — | — | 667 |
| M35T16H | 2011796 | 35 | 43.81 | 39.19 | 15.03 | 20.25 | 3.00 | 4.56 | 3.62 | 9/16, 5/8, 3/4, 7/8 | — | — | 805 |
| M35T18L | 2011797 | 35 | 45.25 | 40.69 | 9.91 | 22.75 | 3.00 | 4.56 | 3.62 | 5/8, 3/4, 7/8, 1 | — | — | 680 |
| M35T18M | 2011799 | 35 | 45.25 | 40.69 | 14.03 | 22.75 | 3.00 | 4.56 | 3.62 | 5/8, 3/4, 7/8, 1 | — | — | 899 |
| M35T18H | 2011802 | 35 | 45.25 | 40.69 | 16.03 | 22.75 | 3.00 | 4.56 | 3.62 | 5/8, 3/4, 7/8, 1 | — | — | 1035 |
| M35T20L | 2011798 | 35 | 48.75 | 44.19 | 9.91 | 24.75 | 3.00 | 4.56 | 3.62 | 3/4, 7/8, 1, 1-1/8 | — | — | 745 |
| M35T20M | 2011800 | 35 | 48.75 | 44.19 | 14.41 | 24.75 | 3.00 | 4.56 | 3.62 | 3/4, 7/8, 1, 1-1/8 | — | — | 1056 |
| M35T20H | 2011801 | 35 | 48.75 | 44.19 | 18.41 | 24.75 | 3.00 | 4.56 | 3.62 | 3/4, 7/8, 1, 1-1/8 | — | — | 1400 |
| M35Q12L | 2011803 | 35 | 39.31 | 34.69 | 10.44 | 16.00 | 3.00 | 4.56 | 3.62 | 1/2, 9/16, 5/8, 3/4 | — | — | 438 |
| M35Q12M | 2011804 | 35 | 39.31 | 34.69 | 14.94 | 16.00 | 3.00 | 4.56 | 3.62 | 1/2, 9/16, 5/8, 3/4 | — | — | 555 |
| M35Q12H | 2011805 | 35 | 39.31 | 34.69 | 18.94 | 16.00 | 3.00 | 4.56 | 3.62 | 1/2, 9/16, 5/8, 3/4 | — | — | 710 |
| M35Q14L | 2011806 | 35 | 41.56 | 36.94 | 10.44 | 18.00 | 3.00 | 4.56 | 3.62 | 1/2, 9/16, 5/8, 3/4 | — | — | 455 |
| M35Q14LM | 2011807 | 35 | 41.56 | 36.94 | 12.44 | 18.00 | 3.00 | 4.56 | 3.62 | 1/2, 9/16, 5/8, 3/4 | — | — | 520 |
| M35Q14M | 2011814 | 35 | 41.56 | 36.94 | 15.44 | 18.00 | 3.00 | 4.56 | 3.62 | 1/2, 9/16, 5/8, 3/4 | — | — | 648 |
| M35Q14H | 2011817 | 35 | 41.56 | 36.94 | 19.88 | 18.00 | 3.00 | 4.56 | 3.62 | 1/2, 9/16, 5/8, 3/4 | — | — | 815 |
| M35Q16L | 2011818 | 35 | 43.81 | 39.19 | 10.44 | 20.25 | 3.00 | 4.56 | 3.62 | 9/16, 5/8, 3/4, 7/8 | — | — | 584 |
| M35Q16M | 2011819 | 35 | 43.81 | 39.19 | 14.88 | 20.25 | 3.00 | 4.56 | 3.62 | 9/16, 5/8, 3/4, 7/8 | — | — | 750 |
| M35Q16H | 2011820 | 35 | 43.81 | 39.19 | 17.38 | 20.25 | 3.00 | 4.56 | 3.62 | 9/16, 5/8, 3/4, 7/8 | — | — | 890 |
| M35QN14L | 2011815 | 35 | 45.00 | 36.94 | 13.25 | 18.00 | 3.00 | 4.56 | 3.62 | 1/2, 9/16, 5/8, 3/4 | 1.25 | 1.41 | 530 |
| M35QN14LM | 2011808 | 35 | 45.00 | 36.94 | 15.25 | 18.00 | 3.00 | 4.56 | 3.62 | 1/2, 9/16, 5/8, 3/4 | 1.25 | 1.41 | 620 |
| M35QN14M | 2011809 | 35 | 45.00 | 36.94 | 18.25 | 18.00 | 3.00 | 4.56 | 3.62 | 1/2, 9/16, 5/8, 3/4 | 1.25 | 1.41 | 810 |
| M35QN14H | 2011810 | 35 | 45.00 | 36.94 | 19.69 | 18.00 | 3.00 | 4.56 | 3.62 | 1/2, 9/16, 5/8, 3/4 | 1.25 | 1.41 | 960 |
| 40 TON | | | | | | | | | | | | | |
| M40S20L | 2011833 | 40 | 55.81 | 46.00 | 7.81 | 24.75 | 3.00 | 4.56 | 3.62 | 3/4, 7/8, 1, 1-1/8 | 1.75 | 2.28 | 660 |
| M40S20M | 2011834 | 40 | 55.81 | 46.00 | 12.31 | 24.75 | 3.00 | 4.56 | 3.62 | 3/4, 7/8, 1, 1-1/8 | 1.75 | 2.28 | 955 |

McKissick® 380 Series Crane Blocks

| Model No. | Inquiry Stock No. | Working Load Limit (Tons) † | A Overall Length (in.) | B Net Length (in.) | E Thickness (in.) | F Width (in.) | H Throat Opening With Flapper (in.) | J Hook Thickness (in.) | K Hook Width (in.) | Standard Wire Line Sizes (in.)* | Dead End ‡ | | Weight Each (lbs.) |
|---|-------------------|-----------------------------|------------------------|--------------------|-------------------|---------------|-------------------------------------|------------------------|--------------------|---------------------------------|-------------------|------------------|--------------------|
| | | | | | | | | | | | T Thickness (in.) | U Pin Hole (in.) | |
| M40S20H | 2011835 | 40 | 55.81 | 46.00 | 16.31 | 24.75 | 3.38 | 5.06 | 3.72 | 3/4, 7/8, 1, 1-1/8 | 1.75 | 2.28 | 1299 |
| M40S24L | 2011825 | 40 | 59.81 | 50.00 | 7.81 | 28.75 | 3.38 | 5.06 | 3.72 | 7/8, 1, 1-1/8, 1-1/4 | 1.75 | 2.28 | 790 |
| M40S24M | 2011829 | 40 | 59.81 | 50.00 | 15.56 | 28.75 | 3.38 | 5.06 | 3.72 | 7/8, 1, 1-1/8, 1-1/4 | 1.75 | 2.28 | 1480 |
| M40S24H | 2011832 | 40 | 59.81 | 50.00 | 19.56 | 28.75 | 3.38 | 5.06 | 3.72 | 7/8, 1, 1-1/8, 1-1/4 | 1.75 | 2.28 | 1940 |
| M40D18L | 2011918 | 40 | 47.56 | 42.50 | 7.81 | 22.75 | 3.38 | 5.06 | 3.72 | 5/8, 3/4, 7/8, 1 | — | — | 685 |
| M40D18M | 2011919 | 40 | 47.56 | 42.50 | 11.94 | 22.75 | 3.38 | 5.06 | 3.72 | 5/8, 3/4, 7/8, 1 | — | — | 926 |
| M40D18H | 2011920 | 40 | 47.56 | 42.50 | 13.94 | 22.75 | 3.38 | 5.06 | 3.72 | 5/8, 3/4, 7/8, 1 | — | — | 1073 |
| M40D20L | 2011841 | 40 | 50.06 | 45.00 | 7.81 | 24.75 | 3.38 | 5.06 | 3.72 | 3/4, 7/8, 1, 1-1/8 | — | — | 759 |
| M40D20M | 2011850 | 40 | 50.06 | 45.00 | 12.31 | 24.75 | 3.38 | 5.06 | 3.72 | 3/4, 7/8, 1, 1-1/8 | — | — | 1090 |
| M40D20H | 2011854 | 40 | 50.06 | 45.00 | 16.31 | 24.75 | 3.38 | 5.06 | 3.72 | 3/4, 7/8, 1, 1-1/8 | — | — | 1401 |
| M40T14L | 2011855 | 40 | 43.44 | 38.38 | 8.19 | 18.00 | 3.38 | 5.06 | 3.72 | 1/2, 9/16, 5/8, 3/4 | — | — | 519 |
| M40T14M | 2011856 | 40 | 43.44 | 38.38 | 13.06 | 18.00 | 3.38 | 5.06 | 3.72 | 1/2, 9/16, 5/8, 3/4 | — | — | 695 |
| M40T14H | 2011857 | 40 | 43.44 | 38.38 | 17.50 | 18.00 | 3.38 | 5.06 | 3.72 | 1/2, 9/16, 5/8, 3/4 | — | — | 843 |
| M40T16L | 2011859 | 40 | 45.69 | 40.62 | 8.19 | 20.25 | 3.38 | 5.06 | 3.72 | 9/16, 5/8, 3/4, 7/8 | — | — | 525 |
| M40T16M | 2011868 | 40 | 45.69 | 40.62 | 12.53 | 20.25 | 3.38 | 5.06 | 3.72 | 9/16, 5/8, 3/4, 7/8 | — | — | 690 |
| M40T16H | 2011871 | 40 | 45.69 | 40.62 | 15.03 | 20.25 | 3.38 | 5.06 | 3.72 | 9/16, 5/8, 3/4, 7/8 | — | — | 836 |
| M40T18L | 2011874 | 40 | 47.31 | 42.25 | 10.38 | 22.75 | 3.38 | 5.06 | 3.72 | 5/8, 3/4, 7/8, 1 | — | — | 799 |
| M40T18M | 2011877 | 40 | 47.31 | 42.25 | 14.50 | 22.75 | 3.38 | 5.06 | 3.72 | 5/8, 3/4, 7/8, 1 | — | — | 1019 |
| M40T18H | 2011881 | 40 | 47.31 | 42.25 | 16.50 | 22.75 | 3.38 | 5.06 | 3.72 | 5/8, 3/4, 7/8, 1 | — | — | 1158 |
| M40T20L | 2011882 | 40 | 50.06 | 45.00 | 10.38 | 24.75 | 3.38 | 5.06 | 3.72 | 3/4, 7/8, 1, 1-1/8 | — | — | 889 |
| M40T20M | 2011883 | 40 | 50.06 | 45.00 | 14.88 | 24.75 | 3.38 | 5.06 | 3.72 | 3/4, 7/8, 1, 1-1/8 | — | — | 1185 |
| M40T20H | 2011884 | 40 | 50.06 | 45.00 | 18.88 | 24.75 | 3.38 | 5.06 | 3.72 | 3/4, 7/8, 1, 1-1/8 | — | — | 1531 |
| M40Q14L | 2011885 | 40 | 43.44 | 38.38 | 10.44 | 18.00 | 3.38 | 5.06 | 3.72 | 1/2, 9/16, 5/8, 3/4 | — | — | 535 |
| M40Q14M | 2011886 | 40 | 43.44 | 38.38 | 15.44 | 18.00 | 3.38 | 5.06 | 3.72 | 1/2, 9/16, 5/8, 3/4 | — | — | 745 |
| M40Q14H | 2011891 | 40 | 43.44 | 38.38 | 16.88 | 18.00 | 3.38 | 5.06 | 3.72 | 1/2, 9/16, 5/8, 3/4 | — | — | 910 |
| M40Q16L | 2011895 | 40 | 45.69 | 40.62 | 10.44 | 20.25 | 3.38 | 5.06 | 3.72 | 9/16, 5/8, 3/4, 7/8 | — | — | 627 |
| M40Q16M | 2011904 | 40 | 45.69 | 40.62 | 14.88 | 20.25 | 3.38 | 5.06 | 3.72 | 9/16, 5/8, 3/4, 7/8 | — | — | 785 |
| M40Q16H | 2011908 | 40 | 45.69 | 40.62 | 17.38 | 20.25 | 3.38 | 5.06 | 3.72 | 9/16, 5/8, 3/4, 7/8 | — | — | 930 |
| M40Q18L | 2011910 | 40 | 47.31 | 42.25 | 13.31 | 22.75 | 3.38 | 5.06 | 3.72 | 5/8, 3/4, 7/8, 1 | — | — | 930 |
| M40Q18M | 2011913 | 40 | 47.31 | 42.25 | 17.44 | 22.75 | 3.38 | 5.06 | 3.72 | 5/8, 3/4, 7/8, 1 | — | — | 1150 |
| M40Q18H | 2011917 | 40 | 47.31 | 42.25 | 19.44 | 22.75 | 3.38 | 5.06 | 3.72 | 5/8, 3/4, 7/8, 1 | — | — | 1290 |
| M40QN14L | 2011921 | 40 | 47.00 | 38.88 | 13.25 | 18.00 | 3.38 | 5.06 | 3.72 | 1/2, 9/16, 5/8, 3/4 | 1.25 | 1.41 | 510 |
| M40QN14M | 2011922 | 40 | 47.00 | 38.88 | 18.25 | 18.00 | 3.38 | 5.06 | 3.72 | 1/2, 9/16, 5/8, 3/4 | 1.25 | 1.41 | 735 |
| M40QN14H | 2011923 | 40 | 47.00 | 38.88 | 19.69 | 18.00 | 3.38 | 5.06 | 3.72 | 1/2, 9/16, 5/8, 3/4 | 1.25 | 1.41 | 900 |
| 45 TON @ - Ultimate Load is 3.6 times the Working Load Limit | | | | | | | | | | | | | |
| M45S24L | 2011924 | 45@ | 59.81 | 50.00 | 7.81 | 28.75 | 3.38 | 5.06 | 3.72 | 7/8, 1, 1-1/8, 1-1/4 | 1.75 | 2.28 | 805 |
| M45S24M | 2011925 | 45@ | 59.81 | 50.00 | 15.56 | 28.75 | 3.38 | 5.06 | 3.72 | 7/8, 1, 1-1/8, 1-1/4 | 1.75 | 2.28 | 1445 |
| M45S24H | 2011926 | 45@ | 59.81 | 50.00 | 19.56 | 28.75 | 3.38 | 5.06 | 3.72 | 7/8, 1, 1-1/8, 1-1/4 | 1.75 | 2.28 | 1940 |
| M45D20L | 2011928 | 45@ | 50.06 | 45.00 | 7.81 | 24.75 | 3.38 | 5.06 | 3.72 | 3/4, 7/8, 1, 1-1/8 | — | — | 759 |
| M45D20M | 2011931 | 45@ | 50.06 | 45.00 | 12.31 | 24.75 | 3.38 | 5.06 | 3.72 | 3/4, 7/8, 1, 1-1/8 | — | — | 1055 |
| M45D20H | 2011937 | 45@ | 50.06 | 45.00 | 16.31 | 24.75 | 3.38 | 5.06 | 3.72 | 3/4, 7/8, 1, 1-1/8 | — | — | 1401 |
| M45T16L | 2011942 | 45@ | 45.69 | 40.62 | 8.19 | 20.25 | 3.38 | 5.06 | 3.72 | 9/16, 5/8, 3/4, 7/8 | — | — | 525 |
| M45T16M | 2011951 | 45@ | 45.69 | 40.62 | 12.53 | 20.25 | 3.38 | 5.06 | 3.72 | 9/16, 5/8, 3/4, 7/8 | — | — | 690 |
| M45T16H | 2011960 | 45@ | 45.69 | 40.62 | 15.03 | 20.25 | 3.38 | 5.06 | 3.72 | 9/16, 5/8, 3/4, 7/8 | — | — | 836 |
| M45T18L | 2011969 | 45@ | 47.31 | 42.25 | 10.38 | 22.75 | 3.38 | 5.06 | 3.72 | 5/8, 3/4, 7/8, 1 | — | — | 799 |
| M45T18M | 2011978 | 45@ | 47.31 | 42.25 | 14.50 | 22.75 | 3.38 | 5.06 | 3.72 | 5/8, 3/4, 7/8, 1 | — | — | 1019 |
| M45T18H | 2011987 | 45@ | 47.31 | 42.25 | 16.50 | 22.75 | 3.38 | 5.06 | 3.72 | 5/8, 3/4, 7/8, 1 | — | — | 1158 |
| M45T20L | 2011993 | 45@ | 50.06 | 45.00 | 10.38 | 24.75 | 3.38 | 5.06 | 3.72 | 3/4, 7/8, 1, 1-1/8 | — | — | 889 |
| M45T20M | 2011996 | 45@ | 50.06 | 45.00 | 14.88 | 24.75 | 3.38 | 5.06 | 3.72 | 3/4, 7/8, 1, 1-1/8 | — | — | 1185 |
| M45T20H | 2012000 | 45@ | 50.06 | 45.00 | 18.88 | 24.75 | 3.38 | 5.06 | 3.72 | 3/4, 7/8, 1, 1-1/8 | — | — | 1531 |
| M45Q14L | 2012001 | 45@ | 43.44 | 38.38 | 10.44 | 18.00 | 3.38 | 5.06 | 3.72 | 1/2, 9/16, 5/8, 3/4 | — | — | 535 |
| M45Q14M | 2012003 | 45@ | 43.44 | 38.38 | 15.44 | 18.00 | 3.38 | 5.06 | 3.72 | 1/2, 9/16, 5/8, 3/4 | — | — | 745 |
| M45Q14H | 2012004 | 45@ | 43.44 | 38.38 | 16.88 | 18.00 | 3.38 | 5.06 | 3.72 | 1/2, 9/16, 5/8, 3/4 | — | — | 910 |
| M45Q16L | 2012005 | 45@ | 45.69 | 40.62 | 10.44 | 20.25 | 3.38 | 5.06 | 3.72 | 9/16, 5/8, 3/4, 7/8 | — | — | 627 |
| M45Q16M | 2012006 | 45@ | 45.69 | 40.62 | 14.88 | 20.25 | 3.38 | 5.06 | 3.72 | 9/16, 5/8, 3/4, 7/8 | — | — | 785 |
| M45Q16H | 2012007 | 45@ | 45.69 | 40.62 | 17.38 | 20.25 | 3.38 | 5.06 | 3.72 | 9/16, 5/8, 3/4, 7/8 | — | — | 930 |
| M45Q18L | 2012008 | 45@ | 47.31 | 42.25 | 13.31 | 22.75 | 3.38 | 5.06 | 3.72 | 5/8, 3/4, 7/8, 1 | — | — | 930 |
| M45Q18M | 2012009 | 45@ | 47.31 | 42.25 | 17.44 | 22.75 | 3.38 | 5.06 | 3.72 | 5/8, 3/4, 7/8, 1 | — | — | 1150 |
| M45Q18H | 2012010 | 45@ | 47.31 | 42.25 | 19.44 | 22.75 | 3.38 | 5.06 | 3.72 | 5/8, 3/4, 7/8, 1 | — | — | 1290 |
| M45QN16L | 2011997 | 45@ | 49.19 | 40.62 | 13.25 | 20.25 | 3.38 | 5.06 | 3.72 | 9/16, 5/8, 3/4, 7/8 | 1.25 | 1.44 | 666 |
| M45QN16M | 2011998 | 45@ | 49.19 | 40.62 | 17.62 | 20.25 | 3.38 | 5.06 | 3.72 | 9/16, 5/8, 3/4, 7/8 | 1.25 | 1.44 | 822 |
| M45QN16H | 2011999 | 45@ | 49.19 | 40.62 | 20.12 | 20.25 | 3.38 | 5.06 | 3.72 | 9/16, 5/8, 3/4, 7/8 | 1.25 | 1.44 | 968 |
| 50 TON | | | | | | | | | | | | | |
| M50S24L | 2012015 | 50 | 64.12 | 53.12 | 7.81 | 28.75 | 4.12 | 6.00 | 4.44 | 7/8, 1, 1-1/8, 1-1/4 | 2.00 | 2.53 | 960 |
| M50S24M | 2012016 | 50 | 64.12 | 53.12 | 15.56 | 28.75 | 4.12 | 6.00 | 4.44 | 7/8, 1, 1-1/8, 1-1/4 | 2.00 | 2.53 | 1565 |
| M50S24H | 2012017 | 50 | 64.12 | 53.12 | 19.56 | 28.75 | 4.12 | 6.00 | 4.44 | 7/8, 1, 1-1/8, 1-1/4 | 2.00 | 2.53 | 2075 |
| M50D24L | 2012018 | 50 | 59.12 | 53.12 | 7.81 | 28.75 | 4.12 | 6.00 | 4.44 | 7/8, 1, 1-1/8, 1-1/4 | — | — | 1140 |
| M50D24M | 2012019 | 50 | 59.12 | 53.12 | 15.56 | 28.75 | 4.12 | 6.00 | 4.44 | 7/8, 1, 1-1/8, 1-1/4 | — | — | 1770 |
| M50D24H | 2012020 | 50 | 59.12 | 53.12 | 19.56 | 28.75 | 4.12 | 6.00 | 4.44 | 7/8, 1, 1-1/8, 1-1/4 | — | — | 2252 |
| M50T18L | 2012014 | 50 | 53.62 | 47.62 | 10.38 | 22.75 | 4.12 | 6.00 | 4.44 | 5/8, 3/4, 7/8, 1 | — | — | 930 |

McKissick® 380 Series Crane Blocks

| Model No. | Inquiry Stock No. | Working Load Limit (Tons) † | A Overall Length (in.) | B Net Length (in.) | E Thickness (in.) | F Width (in.) | H Throat Opening With Flapper (in.) | J Hook Thickness (in.) | K Hook Width (in.) | Standard Wire Line Sizes (in.)* | Dead End ‡ | | Weight Each (lbs.) |
|---------------|-------------------|-----------------------------|------------------------|--------------------|-------------------|---------------|-------------------------------------|------------------------|--------------------|---------------------------------|-------------------|------------------|--------------------|
| | | | | | | | | | | | T Thickness (in.) | U Pin Hole (in.) | |
| M50T18M | 2012023 | 50 | 53.62 | 47.62 | 14.50 | 22.75 | 4.12 | 6.00 | 4.44 | 5/8, 3/4, 7/8, 1 | — | — | 1100 |
| M50T18H | 2012027 | 50 | 53.62 | 47.62 | 16.50 | 22.75 | 4.12 | 6.00 | 4.44 | 5/8, 3/4, 7/8, 1 | — | — | 1240 |
| M50T20L | 2012032 | 50 | 54.12 | 48.12 | 10.38 | 24.75 | 4.12 | 6.00 | 4.44 | 3/4, 7/8, 1, 1-1/8 | — | — | 989 |
| M50T20M | 2012041 | 50 | 54.12 | 48.12 | 14.88 | 24.75 | 4.12 | 6.00 | 4.44 | 3/4, 7/8, 1, 1-1/8 | — | — | 1295 |
| M50T20H | 2012045 | 50 | 54.12 | 48.12 | 18.88 | 24.75 | 4.12 | 6.00 | 4.44 | 3/4, 7/8, 1, 1-1/8 | — | — | 1635 |
| M50T24L | 2012048 | 50 | 59.12 | 53.12 | 10.38 | 28.75 | 4.12 | 6.00 | 4.44 | 7/8, 1, 1-1/8, 1-1/4 | — | — | 1200 |
| M50T24M | 2012050 | 50 | 59.12 | 53.12 | 18.13 | 28.75 | 4.12 | 6.00 | 4.44 | 7/8, 1, 1-1/8, 1-1/4 | — | — | 1890 |
| M50T24H | 2012055 | 50 | 59.12 | 53.12 | 22.12 | 28.75 | 4.12 | 6.00 | 4.44 | 7/8, 1, 1-1/8, 1-1/4 | — | — | 2368 |
| M50Q16L | 2012059 | 50 | 49.88 | 43.88 | 13.31 | 20.25 | 4.12 | 6.00 | 4.44 | 9/16, 5/8, 3/4, 7/8 | — | — | 814 |
| M50Q16M | 2012068 | 50 | 49.88 | 43.88 | 17.69 | 20.25 | 4.12 | 6.00 | 4.44 | 9/16, 5/8, 3/4, 7/8 | — | — | 980 |
| M50Q16H | 2012073 | 50 | 49.88 | 43.88 | 20.19 | 20.25 | 4.12 | 6.00 | 4.44 | 9/16, 5/8, 3/4, 7/8 | — | — | 1125 |
| M50Q18L | 2012077 | 50 | 53.62 | 50.62 | 13.31 | 22.75 | 4.12 | 6.00 | 4.44 | 5/8, 3/4, 7/8, 1 | — | — | 995 |
| M50Q18M | 2012086 | 50 | 53.62 | 50.62 | 17.44 | 22.75 | 4.12 | 6.00 | 4.44 | 5/8, 3/4, 7/8, 1 | — | — | 1220 |
| M50Q18H | 2012091 | 50 | 53.62 | 50.62 | 19.44 | 22.75 | 4.12 | 6.00 | 4.44 | 5/8, 3/4, 7/8, 1 | — | — | 1360 |
| M50Q20L | 2012095 | 50 | 54.13 | 48.13 | 13.31 | 24.75 | 4.12 | 6.00 | 4.44 | 3/4, 7/8, 1, 1-1/8 | — | — | 1140 |
| M50Q20M | 2012097 | 50 | 54.13 | 48.13 | 17.81 | 24.75 | 4.12 | 6.00 | 4.44 | 3/4, 7/8, 1, 1-1/8 | — | — | 1490 |
| M50Q20H | 2012101 | 50 | 54.13 | 48.13 | 21.81 | 24.75 | 4.12 | 6.00 | 4.44 | 3/4, 7/8, 1, 1-1/8 | — | — | 1880 |
| M50QN14L | 2012056 | 50 | 51.75 | 41.88 | 13.25 | 18.00 | 4.12 | 6.00 | 4.44 | 1/2, 9/16, 5/8, 3/4 | 1.25 | 1.41 | 805 |
| M50QN14M | 2012057 | 50 | 51.75 | 41.88 | 18.19 | 18.00 | 4.12 | 6.00 | 4.44 | 1/2, 9/16, 5/8, 3/4 | 1.25 | 1.41 | 960 |
| M50QN14H | 2012058 | 50 | 51.75 | 41.88 | 22.63 | 18.00 | 4.12 | 6.00 | 4.44 | 1/2, 9/16, 5/8, 3/4 | 1.25 | 1.41 | 1185 |
| M50QN16L | 2012060 | 50 | 54.00 | 43.88 | 13.25 | 20.25 | 4.12 | 6.00 | 4.44 | 9/16, 5/8, 3/4, 7/8 | 1.25 | 1.41 | 875 |
| M50QN16M | 2012061 | 50 | 54.00 | 43.88 | 17.63 | 20.25 | 4.12 | 6.00 | 4.44 | 9/16, 5/8, 3/4, 7/8 | 1.25 | 1.41 | 1030 |
| M50QN16H | 2012062 | 50 | 54.00 | 43.88 | 20.13 | 20.25 | 4.12 | 6.00 | 4.44 | 9/16, 5/8, 3/4, 7/8 | 1.25 | 1.41 | 1180 |
| M50SX14L | 2012063 | 50 | 51.75 | 41.88 | 15.53 | 18.00 | 4.12 | 6.00 | 4.44 | 1/2, 9/16, 5/8, 3/4 | 1.25 | 1.41 | 926 |
| M50SX14M | 2012064 | 50 | 51.75 | 41.88 | 20.53 | 18.00 | 4.12 | 6.00 | 4.44 | 1/2, 9/16, 5/8, 3/4 | 1.25 | 1.41 | 1020 |
| M50SX14H | 2012065 | 50 | 51.75 | 41.88 | 24.94 | 18.00 | 4.12 | 6.00 | 4.44 | 1/2, 9/16, 5/8, 3/4 | 1.25 | 1.41 | 1250 |
| 55 TON | | | | | | | | | | | | | |
| M55S24L | 2012105 | 55 | 64.12 | 53.12 | 7.81 | 28.75 | 4.12 | 6.00 | 4.44 | 7/8, 1, 1-1/8, 1-1/4 | 2.00 | 2.53 | 960 |
| M55S24M | 2012106 | 55 | 64.12 | 53.12 | 15.56 | 28.75 | 4.12 | 6.00 | 4.44 | 7/8, 1, 1-1/8, 1-1/4 | 2.00 | 2.53 | 1595 |
| M55S24H | 2012107 | 55 | 64.12 | 53.12 | 19.56 | 28.75 | 4.12 | 6.00 | 4.44 | 7/8, 1, 1-1/8, 1-1/4 | 2.00 | 2.53 | 2075 |
| M55D24L | 2012108 | 55 | 59.12 | 53.12 | 7.81 | 28.75 | 4.12 | 6.00 | 4.44 | 7/8, 1, 1-1/8, 1-1/4 | — | — | 1140 |
| M55D24M | 2012109 | 55 | 59.12 | 53.12 | 15.56 | 28.75 | 4.12 | 6.00 | 4.44 | 7/8, 1, 1-1/8, 1-1/4 | — | — | 1770 |
| M55D24H | 2012110 | 55 | 59.12 | 53.12 | 19.56 | 28.75 | 4.12 | 6.00 | 4.44 | 7/8, 1, 1-1/8, 1-1/4 | — | — | 2250 |
| M55T18L | 2012104 | 55 | 53.62 | 47.62 | 10.38 | 22.75 | 4.12 | 6.00 | 4.44 | 5/8, 3/4, 7/8, 1 | — | — | 880 |
| M55T18M | 2012113 | 55 | 53.62 | 47.62 | 14.50 | 22.75 | 4.12 | 6.00 | 4.44 | 5/8, 3/4, 7/8, 1 | — | — | 1100 |
| M55T18H | 2012122 | 55 | 53.62 | 47.62 | 16.50 | 22.75 | 4.12 | 6.00 | 4.44 | 5/8, 3/4, 7/8, 1 | — | — | 1240 |
| M55T20L | 2012111 | 55 | 54.12 | 48.12 | 10.38 | 24.75 | 4.12 | 6.00 | 4.44 | 3/4, 7/8, 1, 1-1/8 | — | — | 989 |
| M55T20M | 2012114 | 55 | 54.12 | 48.12 | 14.88 | 24.75 | 4.12 | 6.00 | 4.44 | 3/4, 7/8, 1, 1-1/8 | — | — | 1295 |
| M55T20H | 2012123 | 55 | 54.12 | 48.12 | 18.88 | 24.75 | 4.12 | 6.00 | 4.44 | 3/4, 7/8, 1, 1-1/8 | — | — | 1635 |
| M55T24L | 2012112 | 55 | 59.12 | 53.12 | 10.38 | 28.75 | 4.12 | 6.00 | 4.44 | 7/8, 1, 1-1/8, 1-1/4 | — | — | 1200 |
| M55T24M | 2012124 | 55 | 59.12 | 53.12 | 18.13 | 28.75 | 4.12 | 6.00 | 4.44 | 7/8, 1, 1-1/8, 1-1/4 | — | — | 1890 |
| M55T24H | 2012125 | 55 | 59.12 | 53.12 | 22.13 | 28.75 | 4.12 | 6.00 | 4.44 | 7/8, 1, 1-1/8, 1-1/4 | — | — | 2368 |
| M55Q16L | 2012131 | 55 | 49.88 | 43.88 | 13.31 | 20.25 | 4.12 | 6.00 | 4.44 | 9/16, 5/8, 3/4, 7/8 | - | - | 814 |
| M55Q16M | 2012140 | 55 | 49.88 | 43.88 | 17.69 | 20.25 | 4.12 | 6.00 | 4.44 | 9/16, 5/8, 3/4, 7/8 | - | - | 980 |
| M55Q16H | 2012143 | 55 | 49.88 | 43.88 | 20.19 | 20.25 | 4.12 | 6.00 | 4.44 | 9/16, 5/8, 3/4, 7/8 | - | - | 1125 |
| M55Q18L | 2012146 | 55 | 53.63 | 50.63 | 13.31 | 22.75 | 4.12 | 6.00 | 4.44 | 5/8, 3/4, 7/8, 1 | - | - | 995 |
| M55Q18M | 2012149 | 55 | 53.63 | 50.63 | 17.44 | 22.75 | 4.12 | 6.00 | 4.44 | 5/8, 3/4, 7/8, 1 | - | - | 1220 |
| M55Q18H | 2012153 | 55 | 53.63 | 50.63 | 19.44 | 22.75 | 4.12 | 6.00 | 4.44 | 5/8, 3/4, 7/8, 1 | - | - | 1360 |
| M55Q20L | 2012171 | 55 | 54.12 | 48.12 | 13.31 | 24.75 | 4.12 | 6.00 | 4.44 | 3/4, 7/8, 1, 1-1/8 | - | - | 1140 |
| M55Q20M | 2012172 | 55 | 54.12 | 48.12 | 17.81 | 24.75 | 4.12 | 6.00 | 4.44 | 3/4, 7/8, 1, 1-1/8 | - | - | 1490 |
| M55Q20H | 2012173 | 55 | 54.12 | 48.12 | 22.81 | 24.75 | 4.12 | 6.00 | 4.44 | 3/4, 7/8, 1, 1-1/8 | - | - | 1855 |
| M55QN14L | 2012126 | 55 | 51.75 | 41.88 | 13.25 | 18.00 | 4.12 | 6.00 | 4.44 | 1/2, 9/16, 5/8, 3/4 | 1.25 | 1.41 | 840 |
| M55QN14M | 2012127 | 55 | 51.75 | 41.88 | 18.25 | 18.00 | 4.12 | 6.00 | 4.44 | 1/2, 9/16, 5/8, 3/4 | 1.25 | 1.41 | 1035 |
| M55QN14H | 2012128 | 55 | 51.75 | 41.88 | 22.62 | 18.00 | 4.12 | 6.00 | 4.44 | 1/2, 9/16, 5/8, 3/4 | 1.25 | 1.41 | 1185 |
| M55QN16L | 2012158 | 55 | 54.00 | 43.88 | 13.25 | 20.25 | 4.12 | 6.00 | 4.44 | 9/16, 5/8, 3/4, 7/8 | 1.25 | 1.41 | 875 |
| M55QN16M | 2012167 | 55 | 54.00 | 43.88 | 17.63 | 20.25 | 4.12 | 6.00 | 4.44 | 9/16, 5/8, 3/4, 7/8 | 1.25 | 1.41 | 1030 |
| M55QN16H | 2012170 | 55 | 54.00 | 43.88 | 20.13 | 20.25 | 4.12 | 6.00 | 4.44 | 9/16, 5/8, 3/4, 7/8 | 1.25 | 1.41 | 1180 |
| M55QN18L | 2012147 | 55 | 58.62 | 47.62 | 17.50 | 22.75 | 4.12 | 6.00 | 4.44 | 5/8, 3/4, 7/8, 1 | 1.25 | 1.41 | 1380 |
| M55QN18M | 2012150 | 55 | 58.62 | 47.62 | 21.62 | 22.75 | 4.12 | 6.00 | 4.44 | 5/8, 3/4, 7/8, 1 | 1.25 | 1.41 | 1600 |
| M55QN18H | 2012154 | 55 | 58.62 | 47.62 | 23.62 | 22.75 | 4.12 | 6.00 | 4.44 | 5/8, 3/4, 7/8, 1 | 1.25 | 1.41 | 1750 |
| M55SX14L | 2012135 | 55 | 51.75 | 41.88 | 15.53 | 18.00 | 4.12 | 6.00 | 4.44 | 1/2, 9/16, 5/8, 3/4 | 1.25 | 1.41 | 926 |
| M55SX14M | 2012141 | 55 | 51.75 | 41.88 | 20.47 | 18.00 | 4.12 | 6.00 | 4.44 | 1/2, 9/16, 5/8, 3/4 | 1.25 | 1.41 | 1020 |
| M55SX14H | 2012144 | 55 | 51.75 | 41.88 | 24.91 | 18.00 | 4.12 | 6.00 | 4.44 | 1/2, 9/16, 5/8, 3/4 | 1.25 | 1.41 | 1250 |
| 60 TON | | | | | | | | | | | | | |
| M60D24L | 2012175 | 60 | 59.12 | 53.12 | 7.81 | 28.75 | 4.12 | 6.00 | 4.44 | 7/8, 1, 1-1/8, 1-1/4 | - | - | 1140 |
| M60D24M | 2012179 | 60 | 59.12 | 53.12 | 12.31 | 28.75 | 4.12 | 6.00 | 4.44 | 7/8, 1, 1-1/8, 1-1/4 | - | - | 1770 |
| M60D24H | 2012183 | 60 | 59.12 | 53.12 | 19.56 | 28.75 | 4.12 | 6.00 | 4.44 | 7/8, 1, 1-1/8, 1-1/4 | - | - | 2250 |
| M60T18L | 2012187 | 60 | 53.62 | 47.62 | 10.38 | 22.75 | 4.12 | 6.00 | 4.44 | 5/8, 3/4, 7/8, 1 | - | - | 881 |
| M60T18M | 2012191 | 60 | 53.62 | 47.62 | 14.50 | 22.75 | 4.12 | 6.00 | 4.44 | 5/8, 3/4, 7/8, 1 | - | - | 1115 |
| M60T18H | 2012195 | 60 | 53.62 | 47.62 | 16.50 | 22.75 | 4.12 | 6.00 | 4.44 | 5/8, 3/4, 7/8, 1 | - | - | 1240 |

McKissick® 380 Series Crane Blocks

| Model No. | Inquiry Stock No. | Working Load Limit (Tons) † | A Overall Length (in.) | B Net Length (in.) | E Thickness (in.) | F Width (in.) | H Throat Opening With Flapper (in.) | J Hook Thickness (in.) | K Hook Width (in.) | Standard Wire Line Sizes (in.)* | Dead End ‡ | | Weight Each (lbs.) |
|---------------|-------------------|-----------------------------|------------------------|--------------------|-------------------|---------------|-------------------------------------|------------------------|--------------------|---------------------------------|-------------------|------------------|--------------------|
| | | | | | | | | | | | T Thickness (in.) | U Pin Hole (in.) | |
| M60T20L | 2012199 | 60 | 54.12 | 48.12 | 10.38 | 24.75 | 4.12 | 6.00 | 4.44 | 3/4, 7/8, 1, 1-1/8 | - | - | 950 |
| M60T20M | 2012203 | 60 | 54.12 | 48.12 | 14.88 | 24.75 | 4.12 | 6.00 | 4.44 | 3/4, 7/8, 1, 1-1/8 | - | - | 1330 |
| M60T20H | 2012207 | 60 | 54.12 | 48.12 | 18.88 | 24.75 | 4.12 | 6.00 | 4.44 | 3/4, 7/8, 1, 1-1/8 | - | - | 1695 |
| M60T24L | 2012211 | 60 | 59.12 | 53.12 | 10.31 | 28.75 | 4.12 | 6.00 | 4.44 | 7/8, 1, 1-1/8, 1-1/4 | - | - | 1255 |
| M60T24M | 2012215 | 60 | 59.12 | 53.12 | 18.12 | 28.75 | 4.12 | 6.00 | 4.44 | 7/8, 1, 1-1/8, 1-1/4 | - | - | 1890 |
| M60T24H | 2012219 | 60 | 59.12 | 53.12 | 22.01 | 28.75 | 4.12 | 6.00 | 4.44 | 7/8, 1, 1-1/8, 1-1/4 | - | - | 2365 |
| M60Q16L | 2012223 | 60 | 49.88 | 43.88 | 13.31 | 20.25 | 4.12 | 6.00 | 4.44 | 9/16, 5/8, 3/4, 7/8 | - | - | 905 |
| M60Q16M | 2012227 | 60 | 49.88 | 43.88 | 17.69 | 20.25 | 4.12 | 6.00 | 4.44 | 9/16, 5/8, 3/4, 7/8 | - | - | 1030 |
| M60Q16H | 2012231 | 60 | 49.88 | 43.88 | 20.19 | 20.25 | 4.12 | 6.00 | 4.44 | 9/16, 5/8, 3/4, 7/8 | - | - | 1220 |
| M60Q18L | 2012235 | 60 | 53.62 | 47.62 | 13.31 | 22.75 | 4.12 | 6.00 | 4.44 | 5/8, 3/4, 7/8, 1 | - | - | 1002 |
| M60Q18M | 2012239 | 60 | 53.62 | 47.62 | 17.44 | 22.75 | 4.12 | 6.00 | 4.44 | 5/8, 3/4, 7/8, 1 | - | - | 1228 |
| M60Q18H | 2012243 | 60 | 53.62 | 47.62 | 19.44 | 22.75 | 4.12 | 6.00 | 4.44 | 5/8, 3/4, 7/8, 1 | - | - | 1366 |
| M60Q20L | 2012247 | 60 | 54.12 | 48.12 | 13.31 | 24.75 | 4.12 | 6.00 | 4.44 | 3/4, 7/8, 1, 1-1/8 | - | - | 1140 |
| M60Q20M | 2012251 | 60 | 54.12 | 48.12 | 17.81 | 24.75 | 4.12 | 6.00 | 4.44 | 3/4, 7/8, 1, 1-1/8 | - | - | 1490 |
| M60Q20H | 2012255 | 60 | 54.12 | 48.12 | 21.81 | 24.75 | 4.12 | 6.00 | 4.44 | 3/4, 7/8, 1, 1-1/8 | - | - | 1855 |
| M60Q24L | 2012259 | 60 | 59.12 | 53.12 | 13.31 | 28.75 | 4.12 | 6.00 | 4.44 | 7/8, 1, 1-1/8, 1-1/4 | - | - | 1452 |
| M60Q24M | 2012263 | 60 | 59.12 | 53.12 | 21.06 | 28.75 | 4.12 | 6.00 | 4.44 | 7/8, 1, 1-1/8, 1-1/4 | - | - | 2120 |
| M60Q24H | 2012267 | 60 | 59.12 | 53.12 | 25.06 | 28.75 | 4.12 | 6.00 | 4.44 | 7/8, 1, 1-1/8, 1-1/4 | - | - | 2600 |
| M60QN20L | 2012271 | 60 | 59.12 | 48.12 | 17.50 | 24.75 | 4.12 | 6.00 | 4.44 | 3/4, 7/8, 1, 1-1/8 | 1.50 | 1.41 | 1565 |
| M60QN20M | 2012275 | 60 | 59.12 | 48.12 | 22.00 | 24.75 | 4.12 | 6.00 | 4.44 | 3/4, 7/8, 1, 1-1/8 | 1.50 | 1.41 | 1860 |
| M60QN20H | 2012279 | 60 | 59.12 | 48.12 | 26.00 | 24.75 | 4.12 | 6.00 | 4.44 | 3/4, 7/8, 1, 1-1/8 | 1.50 | 1.41 | 2210 |
| M60SX14L | 2012283 | 60 | 51.75 | 45.75 | 15.53 | 18.00 | 4.12 | 6.00 | 4.44 | 1/2, 9/16, 5/8, 3/4 | 1.25 | 1.41 | 925 |
| M60SX14M | 2012287 | 60 | 51.75 | 45.75 | 20.47 | 18.00 | 4.12 | 6.00 | 4.44 | 1/2, 9/16, 5/8, 3/4 | 1.25 | 1.41 | 1100 |
| M60SX14H | 2012291 | 60 | 51.75 | 45.75 | 24.84 | 18.00 | 4.12 | 6.00 | 4.44 | 1/2, 9/16, 5/8, 3/4 | 1.25 | 1.41 | 1250 |
| M60SX18L | 2012295 | 60 | 58.62 | 47.62 | 19.53 | 22.75 | 4.12 | 6.00 | 4.44 | 5/8, 3/4, 7/8, 1 | 1.50 | 2.06 | 1410 |
| M60SX18M | 2012299 | 60 | 58.62 | 47.62 | 23.66 | 22.75 | 4.12 | 6.00 | 4.44 | 5/8, 3/4, 7/8, 1 | 1.50 | 2.06 | 1650 |
| M60SX18H | 2012303 | 60 | 58.62 | 47.62 | 25.66 | 22.75 | 4.12 | 6.00 | 4.44 | 5/8, 3/4, 7/8, 1 | 1.50 | 2.06 | 1798 |
| 65 TON | | | | | | | | | | | | | |
| M65D24L | 2012376 | 65 | 59.12 | 53.12 | 7.81 | 28.75 | 4.12 | 6.00 | 4.44 | 7/8, 1, 1-1/8, 1-1/4 | — | — | 1140 |
| M65D24M | 2012377 | 65 | 59.12 | 53.12 | 15.56 | 28.75 | 4.12 | 6.00 | 4.44 | 7/8, 1, 1-1/8, 1-1/4 | — | — | 1770 |
| M65D24H | 2012378 | 65 | 59.12 | 53.12 | 19.56 | 28.75 | 4.12 | 6.00 | 4.44 | 7/8, 1, 1-1/8, 1-1/4 | — | — | 2252 |
| M65T18L | 2012304 | 65 | 53.62 | 47.62 | 10.38 | 22.75 | 4.12 | 6.00 | 4.44 | 5/8, 3/4, 7/8, 1 | — | — | 930 |
| M65T18M | 2012305 | 65 | 53.62 | 47.62 | 14.50 | 22.75 | 4.12 | 6.00 | 4.44 | 5/8, 3/4, 7/8, 1 | — | — | 1100 |
| M65T18H | 2012306 | 65 | 53.62 | 47.62 | 16.50 | 22.75 | 4.12 | 6.00 | 4.44 | 5/8, 3/4, 7/8, 1 | — | — | 1300 |
| M65T20L | 2012307 | 65 | 54.12 | 48.12 | 10.38 | 24.75 | 4.12 | 6.00 | 4.44 | 3/4, 7/8, 1, 1-1/8 | — | — | 995 |
| M65T20M | 2012311 | 65 | 54.12 | 48.12 | 14.88 | 24.75 | 4.12 | 6.00 | 4.44 | 3/4, 7/8, 1, 1-1/8 | — | — | 1300 |
| M65T20H | 2012315 | 65 | 54.12 | 48.12 | 18.88 | 24.75 | 4.12 | 6.00 | 4.44 | 3/4, 7/8, 1, 1-1/8 | — | — | 1635 |
| M65T24L | 2012316 | 65 | 59.12 | 53.12 | 10.38 | 28.75 | 4.12 | 6.00 | 4.44 | 7/8, 1, 1-1/8, 1-1/4 | — | — | 1255 |
| M65T24M | 2012317 | 65 | 59.12 | 53.12 | 18.12 | 28.75 | 4.12 | 6.00 | 4.44 | 7/8, 1, 1-1/8, 1-1/4 | — | — | 1890 |
| M65T24H | 2012318 | 65 | 59.12 | 53.12 | 22.12 | 28.75 | 4.12 | 6.00 | 4.44 | 7/8, 1, 1-1/8, 1-1/4 | — | — | 2365 |
| M65Q16L | 2012312 | 65 | 49.88 | 43.88 | 13.31 | 20.25 | 4.12 | 6.00 | 4.44 | 9/16, 5/8, 3/4, 7/8 | — | — | 905 |
| M65Q16M | 2012313 | 65 | 49.88 | 43.88 | 17.69 | 20.25 | 4.12 | 6.00 | 4.44 | 9/16, 5/8, 3/4, 7/8 | — | — | 1030 |
| M65Q16H | 2012314 | 65 | 49.88 | 43.88 | 20.19 | 20.25 | 4.12 | 6.00 | 4.44 | 9/16, 5/8, 3/4, 7/8 | — | — | 1220 |
| M65Q18L | 2012340 | 65 | 53.62 | 47.62 | 13.31 | 22.75 | 4.12 | 6.00 | 4.44 | 5/8, 3/4, 7/8, 1 | — | — | 1060 |
| M65Q18M | 2012341 | 65 | 53.62 | 47.62 | 17.44 | 22.75 | 4.12 | 6.00 | 4.44 | 5/8, 3/4, 7/8, 1 | — | — | 1215 |
| M65Q18H | 2012342 | 65 | 53.62 | 47.62 | 19.44 | 22.75 | 4.12 | 6.00 | 4.44 | 5/8, 3/4, 7/8, 1 | — | — | 1430 |
| M65Q20L | 2012319 | 65 | 54.12 | 48.12 | 13.31 | 24.75 | 4.12 | 6.00 | 4.44 | 3/4, 7/8, 1, 1-1/8 | — | — | 1140 |
| M65Q20M | 2012323 | 65 | 54.12 | 48.12 | 17.81 | 24.75 | 4.12 | 6.00 | 4.44 | 3/4, 7/8, 1, 1-1/8 | — | — | 1490 |
| M65Q20H | 2012327 | 65 | 54.12 | 48.12 | 21.81 | 24.75 | 4.12 | 6.00 | 4.44 | 3/4, 7/8, 1, 1-1/8 | — | — | 1855 |
| M65Q24L | 2012328 | 65 | 59.12 | 53.12 | 13.31 | 28.75 | 4.12 | 6.00 | 4.44 | 7/8, 1, 1-1/8, 1-1/4 | — | — | 1452 |
| M65Q24M | 2012329 | 65 | 59.12 | 53.12 | 21.06 | 28.75 | 4.12 | 6.00 | 4.44 | 7/8, 1, 1-1/8, 1-1/4 | — | — | 2120 |
| M65Q24H | 2012330 | 65 | 59.12 | 53.12 | 25.06 | 28.75 | 4.12 | 6.00 | 4.44 | 7/8, 1, 1-1/8, 1-1/4 | — | — | 2600 |
| M65QN16L | 2012331 | 65 | 56.88 | 45.88 | 17.50 | 20.25 | 4.12 | 6.00 | 4.44 | 9/16, 5/8, 3/4, 7/8 | 1.50 | 1.41 | 885 |
| M65QN16M | 2012335 | 65 | 56.88 | 45.88 | 21.88 | 20.25 | 4.12 | 6.00 | 4.44 | 9/16, 5/8, 3/4, 7/8 | 1.50 | 1.41 | 1047 |
| M65QN16H | 2012339 | 65 | 56.88 | 45.88 | 24.38 | 20.25 | 4.12 | 6.00 | 4.44 | 9/16, 5/8, 3/4, 7/8 | 1.50 | 1.41 | 1200 |
| M65QN18L | 2012343 | 65 | 58.62 | 47.62 | 17.50 | 22.75 | 4.12 | 6.00 | 4.44 | 5/8, 3/4, 7/8, 1 | 1.50 | 1.41 | 1380 |
| M65QN18M | 2012347 | 65 | 58.62 | 47.62 | 21.62 | 22.75 | 4.12 | 6.00 | 4.44 | 5/8, 3/4, 7/8, 1 | 1.50 | 1.41 | 1600 |
| M65QN18H | 2012351 | 65 | 58.62 | 47.62 | 23.62 | 22.75 | 4.12 | 6.00 | 4.44 | 5/8, 3/4, 7/8, 1 | 1.50 | 1.41 | 1748 |
| M65QN20L | 2012355 | 65 | 59.12 | 48.12 | 17.5 | 24.75 | 4.12 | 6.00 | 4.44 | 3/4, 7/8, 1, 1-1/8 | 1.50 | 1.41 | 1565 |
| M65QN20M | 2012359 | 65 | 59.12 | 48.12 | 22.00 | 24.75 | 4.12 | 6.00 | 4.44 | 3/4, 7/8, 1, 1-1/8 | 1.50 | 1.41 | 1860 |
| M65QN20H | 2012363 | 65 | 59.12 | 48.12 | 26.00 | 24.75 | 4.12 | 6.00 | 4.44 | 3/4, 7/8, 1, 1-1/8 | 1.50 | 1.41 | 2210 |
| M65QN24L | 2012364 | 65 | 62.62 | 51.62 | 17.50 | 28.75 | 4.12 | 6.00 | 4.44 | 7/8, 1, 1-1/8, 1-1/4 | 1.50 | 1.41 | 1831 |
| M65QN24M | 2012368 | 65 | 62.62 | 51.62 | 25.25 | 28.75 | 4.12 | 6.00 | 4.44 | 7/8, 1, 1-1/8, 1-1/4 | 1.50 | 1.41 | 2536 |
| M65QN24H | 2012372 | 65 | 62.62 | 51.62 | 29.25 | 28.75 | 4.12 | 6.00 | 4.44 | 7/8, 1, 1-1/8, 1-1/4 | 1.50 | 1.41 | 2999 |
| M65SX16L | 2012352 | 65 | 56.88 | 45.88 | 19.53 | 20.25 | 4.12 | 6.00 | 4.44 | 9/16, 5/8, 3/4, 7/8 | 1.50 | 2.06 | 1170 |
| M65SX16M | 2012353 | 65 | 56.88 | 45.88 | 23.91 | 20.25 | 4.12 | 6.00 | 4.44 | 9/16, 5/8, 3/4, 7/8 | 1.50 | 2.06 | 1335 |
| M65SX16H | 2012354 | 65 | 56.88 | 45.88 | 26.41 | 20.25 | 4.12 | 6.00 | 4.44 | 9/16, 5/8, 3/4, 7/8 | 1.50 | 2.06 | 1485 |
| M65SX18L | 2012356 | 65 | 58.62 | 47.62 | 19.53 | 22.75 | 4.12 | 6.00 | 4.44 | 5/8, 3/4, 7/8, 1 | 1.50 | 2.06 | 1410 |
| M65SX18M | 2012357 | 65 | 58.62 | 47.62 | 23.66 | 22.75 | 4.12 | 6.00 | 4.44 | 5/8, 3/4, 7/8, 1 | 1.50 | 2.06 | 1650 |
| M65SX18H | 2012358 | 65 | 58.62 | 47.62 | 25.66 | 22.75 | 4.12 | 6.00 | 4.44 | 5/8, 3/4, 7/8, 1 | 1.50 | 2.06 | 1798 |

McKissick® 380 Series Crane Blocks

| Model No. | Inquiry Stock No. | Working Load Limit (Tons) † | A Overall Length (in.) | B Net Length (in.) | E Thickness (in.) | F Width (in.) | H Throat Opening With Flapper (in.) | J Hook Thickness (in.) | K Hook Width (in.) | Standard Wire Line Sizes (in.)* | Dead End ‡ | | Weight Each (lbs.) |
|---------------|-------------------|-----------------------------|------------------------|--------------------|-------------------|---------------|-------------------------------------|------------------------|--------------------|---------------------------------|-------------------|------------------|--------------------|
| | | | | | | | | | | | T Thickness (in.) | U Pin Hole (in.) | |
| M65SX20L | 2012367 | 65 | 59.12 | 48.12 | 19.53 | 24.75 | 4.12 | 6.00 | 4.44 | 3/4, 7/8, 1, 1-1/8 | 1.50 | 2.06 | 1624 |
| M65SX20M | 2012371 | 65 | 59.12 | 48.12 | 24.03 | 24.75 | 4.12 | 6.00 | 4.44 | 3/4, 7/8, 1, 1-1/8 | 1.50 | 2.06 | 1920 |
| M65SX20H | 2012375 | 65 | 59.12 | 48.12 | 28.03 | 24.75 | 4.12 | 6.00 | 4.44 | 3/4, 7/8, 1, 1-1/8 | 1.50 | 2.06 | 2272 |
| 70 TON | | | | | | | | | | | | | |
| M70D24L | 2012379 | 70 | 64.44 | 57.75 | 11.09 | 28.75 | 5.38 | 6.69 | 4.25 | 7/8, 1, 1-1/8, 1-1/4 | — | — | 1522 |
| M70D24M | 2012383 | 70 | 64.44 | 57.75 | 18.84 | 28.75 | 5.38 | 6.69 | 4.25 | 7/8, 1, 1-1/8, 1-1/4 | — | — | 2190 |
| M70D24H | 2012387 | 70 | 64.44 | 57.75 | 22.84 | 28.75 | 5.38 | 6.69 | 4.25 | 7/8, 1, 1-1/8, 1-1/4 | — | — | 2670 |
| M70T18L | 2012391 | 70 | 58.94 | 52.25 | 11.12 | 22.75 | 5.38 | 6.69 | 4.25 | 5/8, 3/4, 7/8, 1 | — | — | 1260 |
| M70T18M | 2012395 | 70 | 58.94 | 52.25 | 15.25 | 22.75 | 5.38 | 6.69 | 4.25 | 5/8, 3/4, 7/8, 1 | — | — | 1500 |
| M70T18H | 2012399 | 70 | 58.94 | 52.25 | 17.25 | 22.75 | 5.38 | 6.69 | 4.25 | 5/8, 3/4, 7/8, 1 | — | — | 1650 |
| M70T20L | 2012403 | 70 | 60.94 | 54.25 | 11.12 | 24.75 | 5.38 | 6.69 | 4.25 | 3/4, 7/8, 1, 1-1/8 | — | — | 1414 |
| M70T20M | 2012407 | 70 | 60.94 | 54.25 | 15.62 | 24.75 | 5.38 | 6.69 | 4.25 | 3/4, 7/8, 1, 1-1/8 | — | — | 1710 |
| M70T20H | 2012411 | 70 | 60.94 | 54.25 | 19.25 | 24.75 | 5.38 | 6.69 | 4.25 | 3/4, 7/8, 1, 1-1/8 | — | — | 2062 |
| M70T24L | 2012415 | 70 | 64.44 | 57.75 | 11.12 | 28.75 | 5.38 | 6.69 | 4.25 | 7/8, 1, 1-1/8, 1-1/4 | — | — | 1642 |
| M70T24M | 2012419 | 70 | 64.44 | 57.75 | 18.88 | 28.75 | 5.38 | 6.69 | 4.25 | 7/8, 1, 1-1/8, 1-1/4 | — | — | 2292 |
| M70T24H | 2012423 | 70 | 64.44 | 57.75 | 22.88 | 28.75 | 5.38 | 6.69 | 4.25 | 7/8, 1, 1-1/8, 1-1/4 | — | — | 2772 |
| M70Q16L | 2012427 | 70 | 57.19 | 50.50 | 13.31 | 20.25 | 5.38 | 6.69 | 4.25 | 9/16, 5/8, 3/4, 7/8 | — | — | 1175 |
| M70Q16M | 2012431 | 70 | 57.19 | 50.50 | 17.69 | 20.25 | 5.38 | 6.69 | 4.25 | 9/16, 5/8, 3/4, 7/8 | — | — | 1340 |
| M70Q16H | 2012435 | 70 | 57.19 | 50.50 | 20.25 | 20.25 | 5.38 | 6.69 | 4.25 | 9/16, 5/8, 3/4, 7/8 | — | — | 1491 |
| M70Q18L | 2012439 | 70 | 58.94 | 52.25 | 13.31 | 22.75 | 5.38 | 6.69 | 4.25 | 5/8, 3/4, 7/8, 1 | — | — | 1300 |
| M70Q18M | 2012443 | 70 | 58.94 | 52.25 | 17.44 | 22.75 | 5.38 | 6.69 | 4.25 | 5/8, 3/4, 7/8, 1 | — | — | 1540 |
| M70Q18H | 2012447 | 70 | 58.94 | 52.25 | 19.44 | 22.75 | 5.38 | 6.69 | 4.25 | 5/8, 3/4, 7/8, 1 | — | — | 1688 |
| M70Q20L | 2012451 | 70 | 60.94 | 54.25 | 13.31 | 24.75 | 5.38 | 6.69 | 4.25 | 3/4, 7/8, 1, 1-1/8 | — | — | 1436 |
| M70Q20M | 2012455 | 70 | 60.94 | 54.25 | 17.81 | 24.75 | 5.38 | 6.69 | 4.25 | 3/4, 7/8, 1, 1-1/8 | — | — | 1732 |
| M70Q20H | 2012459 | 70 | 60.94 | 54.25 | 21.81 | 24.75 | 5.38 | 6.69 | 4.25 | 3/4, 7/8, 1, 1-1/8 | — | — | 2084 |
| M70Q24L | 2012463 | 70 | 64.44 | 57.75 | 13.31 | 28.75 | 5.38 | 6.69 | 4.25 | 7/8, 1, 1-1/8, 1-1/4 | — | — | 1718 |
| M70Q24M | 2012467 | 70 | 64.44 | 57.75 | 21.06 | 28.75 | 5.38 | 6.69 | 4.25 | 7/8, 1, 1-1/8, 1-1/4 | — | — | 2386 |
| M70Q24H | 2012471 | 70 | 64.44 | 57.75 | 25.06 | 28.75 | 5.38 | 6.69 | 4.25 | 7/8, 1, 1-1/8, 1-1/4 | — | — | 2866 |
| M70QN16L | 2012475 | 70 | 64.56 | 50.50 | 18.25 | 20.25 | 5.38 | 6.69 | 4.25 | 9/16, 5/8, 3/4, 7/8 | 1.50 | 1.66 | 1340 |
| M70QN16M | 2012479 | 70 | 64.56 | 50.50 | 22.62 | 20.25 | 5.38 | 6.69 | 4.25 | 9/16, 5/8, 3/4, 7/8 | 1.50 | 1.66 | 1506 |
| M70QN16H | 2012483 | 70 | 64.56 | 50.50 | 25.12 | 20.25 | 5.38 | 6.69 | 4.25 | 9/16, 5/8, 3/4, 7/8 | 1.50 | 1.66 | 1656 |
| M70QN18L | 2012487 | 70 | 63.31 | 52.25 | 18.25 | 22.75 | 5.38 | 6.69 | 4.25 | 5/8, 3/4, 7/8, 1 | 1.50 | 1.66 | 1675 |
| M70QN18M | 2012491 | 70 | 63.31 | 52.25 | 22.38 | 22.75 | 5.38 | 6.69 | 4.25 | 5/8, 3/4, 7/8, 1 | 1.50 | 1.66 | 1895 |
| M70QN18H | 2012495 | 70 | 63.31 | 52.25 | 24.38 | 22.75 | 5.38 | 6.69 | 4.25 | 5/8, 3/4, 7/8, 1 | 1.50 | 1.66 | 2093 |
| M70QN20L | 2012499 | 70 | 65.94 | 54.25 | 18.25 | 24.75 | 5.38 | 6.69 | 4.25 | 3/4, 7/8, 1, 1-1/8 | 1.50 | 2.06 | 1889 |
| M70QN20M | 2012503 | 70 | 65.94 | 54.25 | 22.75 | 24.75 | 5.38 | 6.69 | 4.25 | 3/4, 7/8, 1, 1-1/8 | 1.50 | 2.06 | 2185 |
| M70QN20H | 2012507 | 70 | 65.94 | 54.25 | 26.75 | 24.75 | 5.38 | 6.69 | 4.25 | 3/4, 7/8, 1, 1-1/8 | 1.50 | 2.06 | 2537 |
| M70QN24L | 2012511 | 70 | 69.44 | 57.75 | 18.25 | 28.75 | 5.38 | 6.69 | 4.25 | 7/8, 1, 1-1/8, 1-1/4 | 1.50 | 2.06 | 2232 |
| M70QN24M | 2012515 | 70 | 69.44 | 57.75 | 26.00 | 28.75 | 5.38 | 6.69 | 4.25 | 7/8, 1, 1-1/8, 1-1/4 | 1.50 | 2.06 | 2900 |
| M70QN24H | 2012519 | 70 | 69.44 | 57.75 | 30.00 | 28.75 | 5.38 | 6.69 | 4.25 | 7/8, 1, 1-1/8, 1-1/4 | 1.50 | 2.06 | 3380 |
| M70SX16L | 2012523 | 70 | 61.56 | 50.50 | 20.41 | 20.25 | 5.38 | 6.69 | 4.25 | 9/16, 5/8, 3/4, 7/8 | 1.50 | 1.66 | 1544 |
| M70SX16M | 2012527 | 70 | 61.56 | 50.50 | 24.78 | 20.25 | 5.38 | 6.69 | 4.25 | 9/16, 5/8, 3/4, 7/8 | 1.50 | 1.66 | 1710 |
| M70SX16H | 2012531 | 70 | 61.56 | 50.50 | 27.28 | 20.25 | 5.38 | 6.69 | 4.25 | 9/16, 5/8, 3/4, 7/8 | 1.50 | 1.66 | 1860 |
| M70SX18L | 2012535 | 70 | 63.94 | 52.25 | 20.41 | 22.75 | 5.38 | 6.69 | 4.25 | 5/8, 3/4, 7/8, 1 | 1.50 | 2.06 | 1915 |
| M70SX18M | 2012539 | 70 | 63.94 | 52.25 | 24.53 | 22.75 | 5.38 | 6.69 | 4.25 | 5/8, 3/4, 7/8, 1 | 1.50 | 2.06 | 2135 |
| M70SX18H | 2012543 | 70 | 63.94 | 52.25 | 26.53 | 22.75 | 5.38 | 6.69 | 4.25 | 5/8, 3/4, 7/8, 1 | 1.50 | 2.06 | 2283 |
| M70SX20L | 2012547 | 70 | 65.94 | 54.25 | 20.41 | 24.75 | 5.38 | 6.69 | 4.25 | 3/4, 7/8, 1, 1-1/8 | 1.50 | 2.06 | 2015 |
| M70SX20M | 2012551 | 70 | 65.94 | 54.25 | 24.91 | 24.75 | 5.38 | 6.69 | 4.25 | 3/4, 7/8, 1, 1-1/8 | 1.50 | 2.06 | 2311 |
| M70SX20H | 2012555 | 70 | 65.94 | 54.25 | 28.91 | 24.75 | 5.38 | 6.69 | 4.25 | 3/4, 7/8, 1, 1-1/8 | 1.50 | 2.06 | 2663 |
| 75 TON | | | | | | | | | | | | | |
| M75D24L | 2012559 | 75 | 64.44 | 57.75 | 11.09 | 28.75 | 5.38 | 6.69 | 4.25 | 7/8, 1, 1-1/8, 1-1/4 | — | — | 1522 |
| M75D24M | 2012563 | 75 | 64.44 | 57.75 | 18.84 | 28.75 | 5.38 | 6.69 | 4.25 | 7/8, 1, 1-1/8, 1-1/4 | — | — | 2190 |
| M75D24H | 2012567 | 75 | 64.44 | 57.75 | 22.84 | 28.75 | 5.38 | 6.69 | 4.25 | 7/8, 1, 1-1/8, 1-1/4 | — | — | 2670 |
| M75T20L | 2012571 | 75 | 60.94 | 54.25 | 11.12 | 24.75 | 5.38 | 6.69 | 4.25 | 3/4, 7/8, 1, 1-1/8 | — | — | 1414 |
| M75T20M | 2012575 | 75 | 60.94 | 54.25 | 15.62 | 24.75 | 5.38 | 6.69 | 4.25 | 3/4, 7/8, 1, 1-1/8 | — | — | 1710 |
| M75T20H | 2012579 | 75 | 60.94 | 54.25 | 19.62 | 24.75 | 5.38 | 6.69 | 4.25 | 3/4, 7/8, 1, 1-1/8 | — | — | 2062 |
| M75T24L | 2012583 | 75 | 64.44 | 57.75 | 11.12 | 28.75 | 5.38 | 6.69 | 4.25 | 7/8, 1, 1-1/8, 1-1/4 | — | — | 1624 |
| M75T24M | 2012587 | 75 | 64.44 | 57.75 | 18.88 | 28.75 | 5.38 | 6.69 | 4.25 | 7/8, 1, 1-1/8, 1-1/4 | — | — | 2290 |
| M75T24H | 2012591 | 75 | 64.44 | 57.75 | 22.88 | 28.75 | 5.38 | 6.69 | 4.25 | 7/8, 1, 1-1/8, 1-1/4 | — | — | 2772 |
| M75Q16L | 2012595 | 75 | 57.19 | 50.50 | 13.31 | 20.25 | 5.38 | 6.69 | 4.25 | 9/16, 5/8, 3/4, 7/8 | — | — | 1175 |
| M75Q16M | 2012600 | 75 | 57.19 | 50.50 | 17.69 | 20.25 | 5.38 | 6.69 | 4.25 | 9/16, 5/8, 3/4, 7/8 | — | — | 1341 |
| M75Q16H | 2012604 | 75 | 57.19 | 50.50 | 20.19 | 20.25 | 5.38 | 6.69 | 4.25 | 9/16, 5/8, 3/4, 7/8 | — | — | 1491 |
| M75Q18L | 2012599 | 75 | 58.94 | 52.25 | 13.31 | 22.75 | 5.38 | 6.69 | 4.25 | 5/8, 3/4, 7/8, 1 | — | — | 1300 |
| M75Q18M | 2012599 | 75 | 58.94 | 52.25 | 17.44 | 22.75 | 5.38 | 6.69 | 4.25 | 5/8, 3/4, 7/8, 1 | — | — | 1540 |
| M75Q18H | 2012603 | 75 | 58.94 | 52.25 | 19.44 | 22.75 | 5.38 | 6.69 | 4.25 | 5/8, 3/4, 7/8, 1 | — | — | 1688 |
| M75Q20L | 2012607 | 75 | 60.94 | 54.25 | 13.31 | 24.75 | 5.38 | 6.69 | 4.25 | 3/4, 7/8, 1, 1-1/8 | — | — | 1436 |
| M75Q20M | 2012611 | 75 | 60.94 | 54.25 | 17.81 | 24.75 | 5.38 | 6.69 | 4.25 | 3/4, 7/8, 1, 1-1/8 | — | — | 1732 |
| M75Q20H | 2012615 | 75 | 60.94 | 54.25 | 21.81 | 24.75 | 5.38 | 6.69 | 4.25 | 3/4, 7/8, 1, 1-1/8 | — | — | 2084 |
| M75Q24L | 2012619 | 75 | 64.44 | 57.75 | 13.31 | 28.75 | 5.38 | 6.69 | 4.25 | 7/8, 1, 1-1/8, 1-1/4 | — | — | 1718 |
| M75Q24M | 2012623 | 75 | 64.44 | 57.75 | 21.06 | 28.75 | 5.38 | 6.69 | 4.25 | 7/8, 1, 1-1/8, 1-1/4 | — | — | 2386 |

McKissick® 380 Series Crane Blocks

| Model No. | Inquiry Stock No. | Working Load Limit (Tons) † | A Overall Length (in.) | B Net Length (in.) | E Thickness (in.) | F Width (in.) | H Throat Opening With Flapper (in.) | J Hook Thickness (in.) | K Hook Width (in.) | Standard Wire Line Sizes (in.)* | Dead End ‡ | | Weight Each (lbs.) |
|---------------|-------------------|-----------------------------|------------------------|--------------------|-------------------|---------------|-------------------------------------|------------------------|--------------------|---------------------------------|-------------------|------------------|--------------------|
| | | | | | | | | | | | T Thickness (in.) | U Pin Hole (in.) | |
| M75Q24H | 2012627 | 75 | 64.44 | 57.75 | 25.06 | 28.75 | 5.38 | 6.69 | 4.25 | 7/8, 1, 1-1/8, 1-1/4 | — | — | 2866 |
| M75QN16L | 2012631 | 75 | 61.56 | 50.50 | 18.25 | 20.25 | 5.38 | 6.69 | 4.25 | 9/16, 5/8, 3/4, 7/8 | 1.50 | 1.66 | 1340 |
| M75QN16M | 2012635 | 75 | 61.56 | 50.50 | 22.62 | 20.25 | 5.38 | 6.69 | 4.25 | 9/16, 5/8, 3/4, 7/8 | 1.50 | 1.66 | 1420 |
| M75QN16H | 2012639 | 75 | 61.56 | 50.50 | 25.12 | 20.25 | 5.38 | 6.69 | 4.25 | 9/16, 5/8, 3/4, 7/8 | 1.50 | 1.66 | 1656 |
| M75QN18L | 2012632 | 75 | 63.31 | 52.25 | 18.25 | 22.25 | 5.38 | 6.69 | 4.25 | 5/8, 3/4, 7/8, 1 | 1.50 | 1.66 | 1675 |
| M75QN18M | 2012636 | 75 | 63.31 | 52.25 | 22.38 | 22.25 | 5.38 | 6.69 | 4.25 | 5/8, 3/4, 7/8, 1 | 1.50 | 1.66 | 1895 |
| M75QN18H | 2012640 | 75 | 63.31 | 52.25 | 24.38 | 22.75 | 5.38 | 6.69 | 4.25 | 5/8, 3/4, 7/8, 1 | 1.50 | 1.66 | 2043 |
| M75QN20L | 2012643 | 75 | 65.94 | 54.25 | 18.25 | 24.75 | 5.38 | 6.69 | 4.25 | 3/4, 7/8, 1, 1-1/8 | 1.50 | 2.06 | 1889 |
| M75QN20M | 2012647 | 75 | 65.94 | 54.25 | 22.75 | 24.75 | 5.38 | 6.69 | 4.25 | 3/4, 7/8, 1, 1-1/8 | 1.50 | 2.06 | 2185 |
| M75QN20H | 2012651 | 75 | 65.94 | 54.25 | 26.75 | 24.75 | 5.38 | 6.69 | 4.25 | 3/4, 7/8, 1, 1-1/8 | 1.50 | 2.06 | 2537 |
| M75QN24L | 2012655 | 75 | 64.44 | 57.75 | 18.25 | 28.75 | 5.38 | 6.69 | 4.25 | 7/8, 1, 1-1/8, 1-1/4 | 1.50 | 2.06 | 2232 |
| M75QN24M | 2012659 | 75 | 64.44 | 57.75 | 26.00 | 28.75 | 5.38 | 6.69 | 4.25 | 7/8, 1, 1-1/8, 1-1/4 | 1.50 | 2.06 | 2900 |
| M75QN24H | 2012663 | 75 | 64.44 | 57.75 | 30.00 | 28.75 | 5.38 | 6.69 | 4.25 | 7/8, 1, 1-1/8, 1-1/4 | 1.50 | 2.06 | 3380 |
| M75SX16L | 2012668 | 75 | 61.56 | 50.50 | 20.41 | 20.25 | 5.38 | 6.69 | 4.25 | 9/16, 5/8, 3/4, 7/8 | 1.50 | 2.06 | 1544 |
| M75SX16M | 2012672 | 75 | 61.56 | 50.50 | 24.78 | 20.25 | 5.38 | 6.69 | 4.25 | 9/16, 5/8, 3/4, 7/8 | 1.50 | 2.06 | 1710 |
| M75SX16H | 2012676 | 75 | 61.56 | 50.50 | 27.28 | 20.25 | 5.38 | 6.69 | 4.25 | 9/16, 5/8, 3/4, 7/8 | 1.50 | 2.06 | 1860 |
| M75SX18L | 2012667 | 75 | 63.94 | 52.25 | 20.41 | 22.75 | 5.38 | 6.69 | 4.25 | 5/8, 3/4, 7/8, 1 | 1.50 | 2.06 | 1915 |
| M75SX18M | 2012671 | 75 | 63.94 | 52.25 | 24.53 | 22.75 | 5.38 | 6.69 | 4.25 | 5/8, 3/4, 7/8, 1 | 1.50 | 2.06 | 2135 |
| M75SX18H | 2012675 | 75 | 63.94 | 52.25 | 26.53 | 22.75 | 5.38 | 6.69 | 4.25 | 5/8, 3/4, 7/8, 1 | 1.50 | 2.06 | 2283 |
| M75SX20L | 2012679 | 75 | 65.94 | 54.25 | 20.41 | 24.75 | 5.38 | 6.69 | 4.25 | 3/4, 7/8, 1, 1-1/8 | 1.50 | 2.06 | 2015 |
| M75SX20M | 2012683 | 75 | 65.94 | 54.25 | 24.91 | 24.75 | 5.38 | 6.69 | 4.25 | 3/4, 7/8, 1, 1-1/8 | 1.50 | 2.06 | 2311 |
| M75SX20H | 2012687 | 75 | 65.94 | 54.25 | 28.91 | 24.75 | 5.38 | 6.69 | 4.25 | 3/4, 7/8, 1, 1-1/8 | 1.50 | 2.06 | 2663 |
| 80 TON | | | | | | | | | | | | | |
| M80D24L | 2012691 | 80 | 64.44 | 57.75 | 11.09 | 28.75 | 5.38 | 6.69 | 4.25 | 7/8, 1, 1-1/8, 1-1/4 | — | — | 1522 |
| M80D24M | 2012695 | 80 | 64.44 | 57.75 | 18.84 | 28.75 | 5.38 | 6.69 | 4.25 | 7/8, 1, 1-1/8, 1-1/4 | — | — | 2190 |
| M80D24H | 2012699 | 80 | 64.44 | 57.75 | 22.84 | 28.75 | 5.38 | 6.69 | 4.25 | 7/8, 1, 1-1/8, 1-1/4 | — | — | 2670 |
| M80T20L | 2012703 | 80 | 60.94 | 54.25 | 11.12 | 24.75 | 5.38 | 6.69 | 4.25 | 3/4, 7/8, 1, 1-1/8 | — | — | 1414 |
| M80T20M | 2012707 | 80 | 60.94 | 54.25 | 15.62 | 24.75 | 5.38 | 6.69 | 4.25 | 3/4, 7/8, 1, 1-1/8 | — | — | 1710 |
| M80T20H | 2012711 | 80 | 60.94 | 54.25 | 19.62 | 24.75 | 5.38 | 6.69 | 4.25 | 3/4, 7/8, 1, 1-1/8 | — | — | 2062 |
| M80T24L | 2012715 | 80 | 64.44 | 57.75 | 11.12 | 28.75 | 5.38 | 6.69 | 4.25 | 7/8, 1, 1-1/8, 1-1/4 | — | — | 1624 |
| M80T24M | 2012719 | 80 | 64.44 | 57.75 | 18.88 | 28.75 | 5.38 | 6.69 | 4.25 | 7/8, 1, 1-1/8, 1-1/4 | — | — | 2292 |
| M80T24H | 2012723 | 80 | 64.44 | 57.75 | 22.88 | 28.75 | 5.38 | 6.69 | 4.25 | 7/8, 1, 1-1/8, 1-1/4 | — | — | 2772 |
| M80Q16L | 2012727 | 80 | 57.19 | 50.50 | 13.31 | 20.25 | 5.38 | 6.69 | 4.25 | 9/16, 5/8, 3/4, 7/8 | — | — | 1175 |
| M80Q16M | 2012731 | 80 | 57.19 | 50.50 | 17.69 | 20.25 | 5.38 | 6.69 | 4.25 | 9/16, 5/8, 3/4, 7/8 | — | — | 1341 |
| M80Q16H | 2012735 | 80 | 57.19 | 50.50 | 20.19 | 20.25 | 5.38 | 6.69 | 4.25 | 9/16, 5/8, 3/4, 7/8 | — | — | 1491 |
| M80Q18L | 2012739 | 80 | 58.94 | 52.25 | 13.31 | 22.75 | 5.38 | 6.69 | 4.25 | 5/8, 3/4, 7/8, 1 | — | — | 1300 |
| M80Q18M | 2012743 | 80 | 58.94 | 52.25 | 17.44 | 22.75 | 5.38 | 6.69 | 4.25 | 5/8, 3/4, 7/8, 1 | — | — | 1540 |
| M80Q18H | 2012747 | 80 | 58.94 | 52.25 | 19.44 | 22.75 | 5.38 | 6.69 | 4.25 | 5/8, 3/4, 7/8, 1 | — | — | 1688 |
| M80Q20L | 2012751 | 80 | 60.94 | 54.25 | 13.31 | 24.75 | 5.38 | 6.69 | 4.25 | 3/4, 7/8, 1, 1-1/8 | — | — | 1436 |
| M80Q20M | 2012755 | 80 | 60.94 | 54.25 | 17.81 | 24.75 | 5.38 | 6.69 | 4.25 | 3/4, 7/8, 1, 1-1/8 | — | — | 1732 |
| M80Q20H | 2012759 | 80 | 60.94 | 54.25 | 21.81 | 24.75 | 5.38 | 6.69 | 4.25 | 3/4, 7/8, 1, 1-1/8 | — | — | 2084 |
| M80Q24L | 2012763 | 80 | 64.44 | 57.75 | 13.31 | 28.75 | 5.38 | 6.69 | 4.25 | 7/8, 1, 1-1/8, 1-1/4 | — | — | 1718 |
| M80Q24M | 2012767 | 80 | 64.44 | 57.75 | 21.06 | 28.75 | 5.38 | 6.69 | 4.25 | 7/8, 1, 1-1/8, 1-1/4 | — | — | 2386 |
| M80Q24H | 2012771 | 80 | 64.44 | 57.75 | 25.06 | 28.75 | 5.38 | 6.69 | 4.25 | 7/8, 1, 1-1/8, 1-1/4 | — | — | 2866 |
| M80QN16L | 2012775 | 80 | 61.56 | 50.50 | 18.25 | 20.25 | 5.38 | 6.69 | 4.25 | 9/16, 5/8, 3/4, 7/8 | 1.50 | 1.66 | 1340 |
| M80QN16M | 2012779 | 80 | 61.56 | 50.50 | 22.62 | 20.25 | 5.38 | 6.69 | 4.25 | 9/16, 5/8, 3/4, 7/8 | 1.50 | 1.66 | 1506 |
| M80QN16H | 2012783 | 80 | 61.56 | 50.50 | 25.12 | 20.25 | 5.38 | 6.69 | 4.25 | 9/16, 5/8, 3/4, 7/8 | 1.50 | 1.66 | 1656 |
| M80QN18L | 2012787 | 80 | 63.31 | 52.25 | 18.25 | 22.75 | 5.38 | 6.69 | 4.25 | 5/8, 3/4, 7/8, 1 | 1.50 | 1.66 | 1675 |
| M80QN18M | 2012791 | 80 | 63.31 | 52.25 | 22.38 | 22.75 | 5.38 | 6.69 | 4.25 | 5/8, 3/4, 7/8, 1 | 1.50 | 1.66 | 1895 |
| M80QN18H | 2012795 | 80 | 63.31 | 52.25 | 24.38 | 22.75 | 5.38 | 6.69 | 4.25 | 5/8, 3/4, 7/8, 1 | 1.50 | 1.66 | 2043 |
| M80QN20L | 2012799 | 80 | 65.94 | 54.25 | 18.25 | 24.75 | 5.38 | 6.69 | 4.25 | 3/4, 7/8, 1, 1-1/8 | 1.50 | 2.06 | 1889 |
| M80QN20M | 2012803 | 80 | 65.94 | 54.25 | 22.75 | 24.75 | 5.38 | 6.69 | 4.25 | 3/4, 7/8, 1, 1-1/8 | 1.50 | 2.06 | 2185 |
| M80QN20H | 2012807 | 80 | 65.94 | 54.25 | 26.75 | 24.75 | 5.38 | 6.69 | 4.25 | 3/4, 7/8, 1, 1-1/8 | 1.50 | 2.06 | 2537 |
| M80QN24L | 2012811 | 80 | 69.44 | 57.75 | 18.25 | 28.75 | 5.38 | 6.69 | 4.25 | 7/8, 1, 1-1/8, 1-1/4 | 1.50 | 2.06 | 2232 |
| M80QN24M | 2012815 | 80 | 69.44 | 57.75 | 26.00 | 28.75 | 5.38 | 6.69 | 4.25 | 7/8, 1, 1-1/8, 1-1/4 | 1.50 | 2.06 | 2900 |
| M80QN24H | 2012819 | 80 | 69.44 | 57.75 | 30.00 | 28.75 | 5.38 | 6.69 | 4.25 | 7/8, 1, 1-1/8, 1-1/4 | 1.50 | 2.06 | 3380 |
| M80SX16L | 2012823 | 80 | 61.56 | 50.50 | 20.41 | 20.25 | 5.38 | 6.69 | 4.25 | 9/16, 5/8, 3/4, 7/8 | 1.50 | 2.06 | 1544 |
| M80SX16M | 2012827 | 80 | 61.56 | 50.50 | 24.78 | 20.25 | 5.38 | 6.69 | 4.25 | 9/16, 5/8, 3/4, 7/8 | 1.50 | 2.06 | 1710 |
| M80SX16H | 2012831 | 80 | 61.56 | 50.50 | 27.28 | 20.25 | 5.38 | 6.69 | 4.25 | 9/16, 5/8, 3/4, 7/8 | 1.50 | 2.06 | 1860 |
| M80SX18L | 2012835 | 80 | 63.94 | 52.25 | 20.41 | 22.75 | 5.38 | 6.69 | 4.25 | 5/8, 3/4, 7/8, 1 | 1.50 | 2.06 | 1915 |
| M80SX18M | 2012839 | 80 | 63.94 | 52.25 | 24.53 | 22.75 | 5.38 | 6.69 | 4.25 | 5/8, 3/4, 7/8, 1 | 1.50 | 2.06 | 2135 |
| M80SX18H | 2012843 | 80 | 63.94 | 52.25 | 26.53 | 22.75 | 5.38 | 6.69 | 4.25 | 5/8, 3/4, 7/8, 1 | 1.50 | 2.06 | 2283 |
| M80SX20L | 2012847 | 80 | 65.94 | 54.25 | 20.41 | 24.75 | 5.38 | 6.69 | 4.25 | 3/4, 7/8, 1, 1-1/8 | 1.50 | 2.06 | 2015 |
| M80SX20M | 2012851 | 80 | 65.94 | 54.25 | 24.91 | 24.75 | 5.38 | 6.69 | 4.25 | 3/4, 7/8, 1, 1-1/8 | 1.50 | 2.06 | 2311 |
| M80SX20H | 2012855 | 80 | 65.94 | 54.25 | 28.91 | 24.75 | 5.38 | 6.69 | 4.25 | 3/4, 7/8, 1, 1-1/8 | 1.50 | 2.06 | 2663 |
| 90 TON | | | | | | | | | | | | | |
| M90T24L | 2012859 | 90 | 68.50 | 59.91 | 11.66 | 28.75 | 4.50 | 8.59 | 5.50 | 7/8, 1, 1-1/8, 1-1/4 | — | — | 1932 |
| M90T24M | 2012863 | 90 | 68.50 | 59.91 | 19.41 | 28.75 | 4.50 | 8.59 | 5.50 | 7/8, 1, 1-1/8, 1-1/4 | — | — | 2600 |
| M90T24H | 2012867 | 90 | 68.50 | 59.91 | 23.41 | 28.75 | 4.50 | 8.59 | 5.50 | 7/8, 1, 1-1/8, 1-1/4 | — | — | 3080 |
| M90Q20L | 2012871 | 90 | 64.00 | 55.41 | 13.56 | 24.75 | 4.50 | 8.59 | 5.50 | 3/4, 7/8, 1, 1-1/8 | — | — | 1780 |

McKissick Blocks

McKissick® 380 Series Crane Blocks

| Model No. | Inquiry Stock No. | Working Load Limit (Tons) † | A Overall Length (in.) | B Net Length (in.) | E Thickness (in.) | F Width (in.) | H Throat Opening With Flapper (in.) | J Hook Thickness (in.) | K Hook Width (in.) | Standard Wire Line Sizes (in.)* | Dead End ‡ | | Weight Each (lbs.) |
|----------------|-------------------|-----------------------------|------------------------|--------------------|-------------------|---------------|-------------------------------------|------------------------|--------------------|---------------------------------|-------------------|------------------|--------------------|
| | | | | | | | | | | | T Thickness (in.) | U Pin Hole (in.) | |
| M90Q20M | 2012875 | 90 | 64.00 | 55.41 | 18.06 | 24.75 | 4.50 | 8.59 | 5.50 | 3/4, 7/8, 1, 1-1/8 | — | — | 2075 |
| M90Q20H | 2012879 | 90 | 64.00 | 55.41 | 22.06 | 24.75 | 4.50 | 8.59 | 5.50 | 3/4, 7/8, 1, 1-1/8 | — | — | 2427 |
| M90Q24L | 2012883 | 90 | 68.50 | 59.91 | 13.81 | 28.75 | 4.50 | 8.59 | 5.50 | 7/8, 1, 1-1/8, 1-1/4 | — | — | 2068 |
| M90Q24M | 2012887 | 90 | 68.50 | 59.91 | 21.56 | 28.75 | 4.50 | 8.59 | 5.50 | 7/8, 1, 1-1/8, 1-1/4 | — | — | 2700 |
| M90Q24H | 2012891 | 90 | 68.50 | 59.91 | 25.56 | 28.75 | 4.50 | 8.59 | 5.50 | 7/8, 1, 1-1/8, 1-1/4 | — | — | 3180 |
| M90QN18L | 2012904 | 90 | 67.00 | 53.91 | 18.25 | 22.75 | 4.50 | 8.59 | 5.50 | 5/8, 3/4, 7/8, 1 | 1.50 | 2.28 | 1930 |
| M90QN18M | 2012908 | 90 | 67.00 | 53.91 | 22.38 | 22.75 | 4.50 | 8.59 | 5.50 | 5/8, 3/4, 7/8, 1 | 1.50 | 2.28 | 2170 |
| M90QN18H | 2012912 | 90 | 67.00 | 53.91 | 24.38 | 22.75 | 4.50 | 8.59 | 5.50 | 5/8, 3/4, 7/8, 1 | 1.50 | 2.28 | 2318 |
| M90QN20L | 2012895 | 90 | 69.00 | 55.41 | 18.25 | 24.75 | 4.50 | 8.59 | 5.50 | 3/4, 7/8, 1, 1-1/8 | 1.50 | 2.28 | 2044 |
| M90QN20M | 2012899 | 90 | 69.00 | 55.41 | 22.75 | 24.75 | 4.50 | 8.59 | 5.50 | 3/4, 7/8, 1, 1-1/8 | 1.50 | 2.28 | 2340 |
| M90QN20H | 2012903 | 90 | 69.00 | 55.41 | 26.75 | 24.75 | 4.50 | 8.59 | 5.50 | 3/4, 7/8, 1, 1-1/8 | 1.50 | 2.28 | 2692 |
| M90QN24L | 2012907 | 90 | 73.00 | 59.41 | 18.25 | 28.75 | 4.50 | 8.59 | 5.50 | 7/8, 1, 1-1/8, 1-1/4 | 1.50 | 2.28 | 2477 |
| M90QN24M | 2012911 | 90 | 73.00 | 59.41 | 26.00 | 28.75 | 4.50 | 8.59 | 5.50 | 7/8, 1, 1-1/8, 1-1/4 | 1.50 | 2.28 | 3145 |
| M90QN24H | 2012915 | 90 | 73.00 | 59.41 | 30.00 | 28.75 | 4.50 | 8.59 | 5.50 | 7/8, 1, 1-1/8, 1-1/4 | 1.50 | 2.28 | 3625 |
| M90SX18L | 2012919 | 90 | 67.00 | 53.41 | 20.41 | 22.75 | 4.50 | 8.59 | 5.50 | 5/8, 3/4, 7/8, 1 | 1.50 | 2.06 | 2080 |
| M90SX18M | 2012923 | 90 | 67.00 | 53.41 | 24.53 | 22.75 | 4.50 | 8.59 | 5.50 | 5/8, 3/4, 7/8, 1 | 1.50 | 2.06 | 2300 |
| M90SX18H | 2012927 | 90 | 67.00 | 53.41 | 26.53 | 22.75 | 4.50 | 8.59 | 5.50 | 5/8, 3/4, 7/8, 1 | 1.50 | 2.06 | 2448 |
| M90SX20L | 2012931 | 90 | 69.00 | 55.41 | 20.41 | 24.75 | 4.50 | 8.59 | 5.50 | 3/4, 7/8, 1, 1-1/8 | 1.50 | 2.06 | 2165 |
| M90SX20M | 2012935 | 90 | 69.00 | 55.41 | 24.91 | 24.75 | 4.50 | 8.59 | 5.50 | 3/4, 7/8, 1, 1-1/8 | 1.50 | 2.06 | 2462 |
| M90SX20H | 2012939 | 90 | 69.00 | 55.41 | 28.91 | 24.75 | 4.50 | 8.59 | 5.50 | 3/4, 7/8, 1, 1-1/8 | 1.50 | 2.06 | 2816 |
| M90SX24L | 2012943 | 90 | 73.00 | 59.41 | 20.41 | 28.75 | 4.50 | 8.59 | 5.50 | 7/8, 1, 1-1/8, 1-1/4 | 1.50 | 2.06 | 2615 |
| M90SX24M | 2012947 | 90 | 73.00 | 59.41 | 28.16 | 28.75 | 4.50 | 8.59 | 5.50 | 7/8, 1, 1-1/8, 1-1/4 | 1.50 | 2.06 | 3248 |
| M90SX24H | 2012952 | 90 | 73.00 | 59.41 | 32.16 | 28.75 | 4.50 | 8.59 | 5.50 | 7/8, 1, 1-1/8, 1-1/4 | 1.50 | 2.06 | 3730 |
| 100 TON | | | | | | | | | | | | | |
| M100T24L | 2012860 | 100 | 68.50 | 59.91 | 11.66 | 28.75 | 4.50 | 8.59 | 5.50 | 7/8, 1, 1-1/8, 1-1/4 | — | — | 1932 |
| M100T24M | 2012864 | 100 | 68.50 | 59.91 | 19.41 | 28.75 | 4.50 | 8.59 | 5.50 | 7/8, 1, 1-1/8, 1-1/4 | — | — | 2600 |
| M100T24H | 2012868 | 100 | 68.50 | 59.91 | 23.41 | 28.75 | 4.50 | 8.59 | 5.50 | 7/8, 1, 1-1/8, 1-1/4 | — | — | 3080 |
| M100Q20L | 2012967 | 100 | 64.00 | 55.41 | 13.56 | 24.75 | 4.50 | 8.59 | 5.50 | 3/4, 7/8, 1, 1-1/8 | — | — | 1780 |
| M100Q20M | 2012971 | 100 | 64.00 | 55.41 | 18.06 | 24.75 | 4.50 | 8.59 | 5.50 | 3/4, 7/8, 1, 1-1/8 | — | — | 2075 |
| M100Q20H | 2012975 | 100 | 64.00 | 55.41 | 22.06 | 24.75 | 4.50 | 8.59 | 5.50 | 3/4, 7/8, 1, 1-1/8 | — | — | 2427 |
| M100Q24L | 2012979 | 100 | 68.50 | 59.91 | 13.81 | 28.75 | 4.50 | 8.59 | 5.50 | 7/8, 1, 1-1/8, 1-1/4 | — | — | 2068 |
| M100Q24M | 2012983 | 100 | 68.50 | 59.91 | 21.56 | 28.75 | 4.50 | 8.59 | 5.50 | 7/8, 1, 1-1/8, 1-1/4 | — | — | 2700 |
| M100Q24H | 2012987 | 100 | 68.50 | 59.91 | 25.56 | 28.75 | 4.50 | 8.59 | 5.50 | 7/8, 1, 1-1/8, 1-1/4 | — | — | 3180 |
| M100QN18L | 2012991 | 100 | 67.00 | 53.91 | 18.25 | 22.75 | 4.50 | 8.59 | 5.50 | 5/8, 3/4, 7/8, 1 | 1.50 | 2.28 | 1930 |
| M100QN18M | 2012995 | 100 | 67.00 | 53.91 | 22.38 | 22.75 | 4.50 | 8.59 | 5.50 | 5/8, 3/4, 7/8, 1 | 1.50 | 2.28 | 2170 |
| M100QN18H | 2012999 | 100 | 67.00 | 53.91 | 24.38 | 22.75 | 4.50 | 8.59 | 5.50 | 5/8, 3/4, 7/8, 1 | 1.50 | 2.28 | 2318 |
| M100QN20L | 2013003 | 100 | 69.00 | 55.41 | 18.25 | 24.75 | 4.50 | 8.59 | 5.50 | 3/4, 7/8, 1, 1-1/8 | 1.50 | 2.28 | 2044 |
| M100QN20M | 2013007 | 100 | 69.00 | 55.41 | 22.75 | 24.75 | 4.50 | 8.59 | 5.50 | 3/4, 7/8, 1, 1-1/8 | 1.50 | 2.28 | 2340 |
| M100QN20H | 2013011 | 100 | 69.00 | 55.41 | 26.75 | 24.75 | 4.50 | 8.59 | 5.50 | 3/4, 7/8, 1, 1-1/8 | 1.50 | 2.28 | 2692 |
| M100QN24L | 2013015 | 100 | 73.00 | 59.41 | 18.25 | 28.75 | 4.50 | 8.59 | 5.50 | 7/8, 1, 1-1/8, 1-1/4 | 1.50 | 2.28 | 2477 |
| M100QN24M | 2013019 | 100 | 73.00 | 59.41 | 26.00 | 28.75 | 4.50 | 8.59 | 5.50 | 7/8, 1, 1-1/8, 1-1/4 | 1.50 | 2.28 | 3145 |
| M100QN24H | 2013023 | 100 | 73.00 | 59.41 | 30.00 | 28.75 | 4.50 | 8.59 | 5.50 | 7/8, 1, 1-1/8, 1-1/4 | 1.50 | 2.28 | 3625 |
| M100SX18L | 2013027 | 100 | 67.00 | 53.41 | 20.41 | 22.75 | 4.50 | 8.59 | 5.50 | 5/8, 3/4, 7/8, 1 | 1.50 | 2.06 | 2080 |
| M100SX18M | 2013031 | 100 | 67.00 | 53.41 | 24.53 | 22.75 | 4.50 | 8.59 | 5.50 | 5/8, 3/4, 7/8, 1 | 1.50 | 2.06 | 2300 |
| M100SX18H | 2013035 | 100 | 67.00 | 53.41 | 26.53 | 22.75 | 4.50 | 8.59 | 5.50 | 5/8, 3/4, 7/8, 1 | 1.50 | 2.06 | 2448 |
| M100SX20L | 2013039 | 100 | 69.00 | 55.41 | 20.41 | 24.75 | 4.50 | 8.59 | 5.50 | 3/4, 7/8, 1, 1-1/8 | 1.50 | 2.06 | 2165 |
| M100SX20M | 2013043 | 100 | 69.00 | 55.41 | 24.91 | 24.75 | 4.50 | 8.59 | 5.50 | 3/4, 7/8, 1, 1-1/8 | 1.50 | 2.06 | 2462 |
| M100SX20H | 2013047 | 100 | 69.00 | 55.41 | 28.91 | 24.75 | 4.50 | 8.59 | 5.50 | 3/4, 7/8, 1, 1-1/8 | 1.50 | 2.06 | 2816 |
| M100SX24L | 2013051 | 100 | 73.00 | 59.41 | 20.41 | 28.75 | 4.50 | 8.59 | 5.50 | 7/8, 1, 1-1/8, 1-1/4 | 1.50 | 2.06 | 2615 |
| M100SX24M | 2013055 | 100 | 73.00 | 59.41 | 28.16 | 28.75 | 4.50 | 8.59 | 5.50 | 7/8, 1, 1-1/8, 1-1/4 | 1.50 | 2.06 | 3248 |
| M100SX24H | 2013059 | 100 | 73.00 | 59.41 | 32.16 | 28.75 | 4.50 | 8.59 | 5.50 | 7/8, 1, 1-1/8, 1-1/4 | 1.50 | 2.06 | 3730 |
| 115 TON | | | | | | | | | | | | | |
| M115Q24L | 2013075 | 115 | 72.00 | 62.88 | 16.44 | 28.75 | 4.50 | 9.12 | 6.00 | 7/8, 1, 1-1/8, 1-1/4 | - | - | 2753 |
| M115Q24M | 2013079 | 115 | 72.00 | 62.88 | 24.19 | 28.75 | 4.50 | 9.12 | 6.00 | 7/8, 1, 1-1/8, 1-1/4 | - | - | 3385 |
| M115Q24H | 2013083 | 115 | 72.00 | 62.88 | 28.19 | 28.75 | 4.50 | 9.12 | 6.00 | 7/8, 1, 1-1/8, 1-1/4 | - | - | 3865 |
| M115QN24L | 2013087 | 115 | 77.25 | 62.88 | 20.25 | 28.75 | 4.50 | 9.12 | 6.00 | 7/8, 1, 1-1/8, 1-1/4 | 1.75 | 2.53 | 3320 |
| M115QN24M | 2013091 | 115 | 77.25 | 62.88 | 28.00 | 28.75 | 4.50 | 9.12 | 6.00 | 7/8, 1, 1-1/8, 1-1/4 | 1.75 | 2.53 | 3950 |
| M115QN24H | 2013095 | 115 | 77.25 | 62.88 | 32.00 | 28.75 | 4.50 | 9.12 | 6.00 | 7/8, 1, 1-1/8, 1-1/4 | 1.75 | 2.53 | 4430 |
| M115SX18L | 2013099 | 115 | 71.25 | 56.88 | 22.00 | 22.75 | 4.50 | 9.12 | 6.00 | 5/8, 3/4, 7/8, 1 | 1.75 | 2.53 | 2645 |
| M115SX18M | 2013103 | 115 | 71.25 | 56.88 | 26.12 | 22.75 | 4.50 | 9.12 | 6.00 | 5/8, 3/4, 7/8, 1 | 1.75 | 2.53 | 2885 |
| M115SX18H | 2013107 | 115 | 71.25 | 56.88 | 28.12 | 22.75 | 4.50 | 9.12 | 6.00 | 5/8, 3/4, 7/8, 1 | 1.75 | 2.53 | 3033 |
| M115SX20L | 2013111 | 115 | 73.25 | 58.88 | 22.00 | 24.75 | 4.50 | 9.12 | 6.00 | 3/4, 7/8, 1, 1-1/8 | 1.75 | 2.53 | 2849 |
| M115SX20M | 2013115 | 115 | 73.25 | 58.88 | 26.50 | 24.75 | 4.50 | 9.12 | 6.00 | 3/4, 7/8, 1, 1-1/8 | 1.75 | 2.53 | 3145 |
| M115SX20H | 2013119 | 115 | 73.25 | 58.88 | 30.50 | 24.75 | 4.50 | 9.12 | 6.00 | 3/4, 7/8, 1, 1-1/8 | 1.75 | 2.53 | 3497 |
| M115SX24L | 2013123 | 115 | 77.25 | 62.88 | 22.03 | 28.75 | 4.50 | 9.12 | 6.00 | 7/8, 1, 1-1/8, 1-1/4 | 1.75 | 2.53 | 3325 |
| M115SX24M | 2013127 | 115 | 77.25 | 62.88 | 29.78 | 28.75 | 4.50 | 9.12 | 6.00 | 7/8, 1, 1-1/8, 1-1/4 | 1.75 | 2.53 | 3957 |
| M115SX24H | 2013131 | 115 | 77.25 | 62.88 | 33.78 | 28.75 | 4.50 | 9.12 | 6.00 | 7/8, 1, 1-1/8, 1-1/4 | 1.75 | 2.53 | 4437 |
| 125 TON | | | | | | | | | | | | | |
| M125Q24L | 2013135 | 125 | 72.00 | 62.88 | 16.44 | 28.75 | 4.50 | 9.12 | 6.00 | 7/8, 1, 1-1/8, 1-1/4 | - | - | 2753 |
| M125Q24M | 2013139 | 125 | 72.00 | 62.88 | 24.19 | 28.75 | 4.50 | 9.12 | 6.00 | 7/8, 1, 1-1/8, 1-1/4 | - | - | 3385 |

McKissick® 380 Series Crane Blocks

| Model No. | Inquiry Stock No. | Working Load Limit (Tons) † | A Overall Length (in.) | B Net Length (in.) | E Thickness (in.) | F Width (in.) | H Throat Opening With Flapper (in.) | J Hook Thickness (in.) | K Hook Width (in.) | Standard Wire Line Sizes (in.)* | Dead End ‡ | | Weight Each (lbs.) |
|----------------|-------------------|-----------------------------|------------------------|--------------------|-------------------|---------------|-------------------------------------|------------------------|--------------------|---------------------------------|-------------------|------------------|--------------------|
| | | | | | | | | | | | T Thickness (in.) | U Pin Hole (in.) | |
| M125Q24H | 2013143 | 125 | 72.00 | 62.88 | 28.19 | 28.75 | 4.50 | 9.12 | 6.00 | 7/8, 1, 1-1/8, 1-1/4 | - | - | 3865 |
| M125QN24L | 2013147 | 125 | 77.25 | 62.88 | 20.25 | 28.75 | 4.50 | 9.12 | 6.00 | 7/8, 1, 1-1/8, 1-1/4 | 1.75 | 2.53 | 3320 |
| M125QN24M | 2013151 | 125 | 77.25 | 62.88 | 28.00 | 28.75 | 4.50 | 9.12 | 6.00 | 7/8, 1, 1-1/8, 1-1/4 | 1.75 | 2.53 | 3950 |
| M125QN24H | 2013155 | 125 | 77.25 | 62.88 | 32.00 | 28.75 | 4.50 | 9.12 | 6.00 | 7/8, 1, 1-1/8, 1-1/4 | 1.75 | 2.53 | 4430 |
| M125SX18L | 2013159 | 125 | 71.25 | 56.88 | 22.00 | 22.75 | 4.50 | 9.12 | 6.00 | 5/8, 3/4, 7/8, 1 | 1.75 | 2.53 | 2645 |
| M125SX18M | 2013163 | 125 | 71.25 | 56.88 | 26.12 | 22.75 | 4.50 | 9.12 | 6.00 | 5/8, 3/4, 7/8, 1 | 1.75 | 2.53 | 2885 |
| M125SX18H | 2013167 | 125 | 71.25 | 56.88 | 28.12 | 22.75 | 4.50 | 9.12 | 6.00 | 5/8, 3/4, 7/8, 1 | 1.75 | 2.53 | 3033 |
| M125SX20L | 2013171 | 125 | 73.25 | 58.88 | 22.00 | 24.75 | 4.50 | 9.12 | 6.00 | 3/4, 7/8, 1, 1-1/8 | 1.75 | 2.53 | 2849 |
| M125SX20M | 2013175 | 125 | 73.25 | 58.88 | 26.50 | 24.75 | 4.50 | 9.12 | 6.00 | 3/4, 7/8, 1, 1-1/8 | 1.75 | 2.53 | 3145 |
| M125SX20H | 2013179 | 125 | 73.25 | 58.88 | 30.50 | 24.75 | 4.50 | 9.12 | 6.00 | 3/4, 7/8, 1, 1-1/8 | 1.75 | 2.53 | 3497 |
| M125SX24L | 2013183 | 125 | 77.25 | 62.88 | 22.03 | 28.75 | 4.50 | 9.12 | 6.00 | 7/8, 1, 1-1/8, 1-1/4 | 1.75 | 2.53 | 3325 |
| M125SX24M | 2013187 | 125 | 77.25 | 62.88 | 29.78 | 28.75 | 4.50 | 9.12 | 6.00 | 7/8, 1, 1-1/8, 1-1/4 | 1.75 | 2.53 | 3957 |
| M125SX24H | 2013188 | 125 | 77.25 | 62.88 | 33.78 | 28.75 | 4.50 | 9.12 | 6.00 | 7/8, 1, 1-1/8, 1-1/4 | 1.75 | 2.53 | 4437 |
| 130 TON | | | | | | | | | | | | | |
| M130Q24L | 2013192 | 130 | 72.00 | 62.88 | 16.44 | 28.75 | 4.50 | 9.12 | 6.00 | 7/8, 1, 1-1/8, 1-1/4 | - | - | 2753 |
| M130Q24M | 2013196 | 130 | 72.00 | 62.88 | 24.19 | 28.75 | 4.50 | 9.12 | 6.00 | 7/8, 1, 1-1/8, 1-1/4 | - | - | 3385 |
| M130Q24H | 2013200 | 130 | 72.00 | 62.88 | 28.19 | 28.75 | 4.50 | 9.12 | 6.00 | 7/8, 1, 1-1/8, 1-1/4 | - | - | 3865 |
| M130QN24L | 2013191 | 130 | 77.25 | 62.88 | 20.25 | 28.75 | 4.50 | 9.12 | 6.00 | 7/8, 1, 1-1/8, 1-1/4 | 1.75 | 2.53 | 3320 |
| M130QN24M | 2013195 | 130 | 77.25 | 62.88 | 28.00 | 28.75 | 4.50 | 9.12 | 6.00 | 7/8, 1, 1-1/8, 1-1/4 | 1.75 | 2.53 | 3950 |
| M130QN24H | 2013199 | 130 | 77.25 | 62.88 | 32.00 | 28.75 | 4.50 | 9.12 | 6.00 | 7/8, 1, 1-1/8, 1-1/4 | 1.75 | 2.53 | 4430 |
| M130SX18L | 2013203 | 130 | 71.25 | 56.88 | 22.00 | 22.75 | 4.50 | 9.12 | 6.00 | 5/8, 3/4, 7/8, 1 | 1.75 | 2.53 | 2645 |
| M130SX18M | 2013207 | 130 | 71.25 | 56.88 | 26.12 | 22.75 | 4.50 | 9.12 | 6.00 | 5/8, 3/4, 7/8, 1 | 1.75 | 2.53 | 2885 |
| M130SX18H | 2013211 | 130 | 71.25 | 56.88 | 28.12 | 22.75 | 4.50 | 9.12 | 6.00 | 5/8, 3/4, 7/8, 1 | 1.75 | 2.53 | 3033 |
| M130SX20L | 2013218 | 130 | 73.25 | 58.88 | 22.00 | 24.75 | 4.50 | 9.12 | 6.00 | 3/4, 7/8, 1, 1-1/8 | 1.75 | 2.53 | 2849 |
| M130SX20M | 2013219 | 130 | 73.25 | 58.88 | 26.50 | 24.75 | 4.50 | 9.12 | 6.00 | 3/4, 7/8, 1, 1-1/8 | 1.75 | 2.53 | 3145 |
| M130SX20H | 2013223 | 130 | 73.25 | 58.88 | 30.50 | 24.75 | 4.50 | 9.12 | 6.00 | 3/4, 7/8, 1, 1-1/8 | 1.75 | 2.53 | 3497 |
| M130SX24L | 2013227 | 130 | 77.25 | 62.88 | 22.03 | 28.75 | 4.50 | 9.12 | 6.00 | 7/8, 1, 1-1/8, 1-1/4 | 1.75 | 2.53 | 3325 |
| M130SX24M | 2013231 | 130 | 77.25 | 62.88 | 29.78 | 28.75 | 4.50 | 9.12 | 6.00 | 7/8, 1, 1-1/8, 1-1/4 | 1.75 | 2.53 | 3957 |
| M130SX24H | 2013235 | 130 | 77.25 | 62.88 | 33.78 | 28.75 | 4.50 | 9.12 | 6.00 | 7/8, 1, 1-1/8, 1-1/4 | 1.75 | 2.53 | 4437 |
| 140 TON | | | | | | | | | | | | | |
| M140Q24L | 2013252 | 140 | 72.00 | 62.88 | 16.44 | 28.75 | 4.50 | 9.12 | 6.00 | 7/8, 1, 1-1/8, 1-1/4 | — | — | 2753 |
| M140Q24M | 2013256 | 140 | 72.00 | 62.88 | 24.19 | 28.75 | 4.50 | 9.12 | 6.00 | 7/8, 1, 1-1/8, 1-1/4 | — | — | 3385 |
| M140Q24H | 2013260 | 140 | 72.00 | 62.88 | 28.19 | 28.75 | 4.50 | 9.12 | 6.00 | 7/8, 1, 1-1/8, 1-1/4 | — | — | 3865 |
| M140QN24L | 2013251 | 140 | 77.25 | 62.88 | 20.25 | 28.75 | 4.50 | 9.12 | 6.00 | 7/8, 1, 1-1/8, 1-1/4 | 1.75 | 2.53 | 3320 |
| M140QN24M | 2013255 | 140 | 77.25 | 62.88 | 28.00 | 28.75 | 4.50 | 9.12 | 6.00 | 7/8, 1, 1-1/8, 1-1/4 | 1.75 | 2.53 | 3950 |
| M140QN24H | 2013259 | 140 | 77.25 | 62.88 | 32.00 | 28.75 | 4.50 | 9.12 | 6.00 | 7/8, 1, 1-1/8, 1-1/4 | 1.75 | 2.53 | 4430 |
| M140SX18L | 2013263 | 140 | 71.25 | 56.88 | 22.00 | 22.75 | 4.50 | 9.12 | 6.00 | 5/8, 3/4, 7/8, 1 | 1.75 | 2.53 | 2645 |
| M140SX18M | 2013267 | 140 | 71.25 | 56.88 | 26.12 | 22.75 | 4.50 | 9.12 | 6.00 | 5/8, 3/4, 7/8, 1 | 1.75 | 2.53 | 2885 |
| M140SX18H | 2013271 | 140 | 71.25 | 56.88 | 28.12 | 22.75 | 4.50 | 9.12 | 6.00 | 5/8, 3/4, 7/8, 1 | 1.75 | 2.53 | 3033 |
| M140SX20L | 2013275 | 140 | 73.25 | 58.88 | 22.00 | 24.75 | 4.50 | 9.12 | 6.00 | 3/4, 7/8, 1, 1-1/8 | 1.75 | 2.53 | 2849 |
| M140SX20M | 2013279 | 140 | 73.25 | 58.88 | 26.50 | 24.75 | 4.50 | 9.12 | 6.00 | 3/4, 7/8, 1, 1-1/8 | 1.75 | 2.53 | 3145 |
| M140SX20H | 2013283 | 140 | 73.25 | 58.88 | 30.50 | 24.75 | 4.50 | 9.12 | 6.00 | 3/4, 7/8, 1, 1-1/8 | 1.75 | 2.53 | 3497 |
| M140SX24L | 2013287 | 140 | 77.25 | 62.88 | 22.03 | 28.75 | 4.50 | 9.12 | 6.00 | 7/8, 1, 1-1/8, 1-1/4 | 1.75 | 2.53 | 3325 |
| M140SX24M | 2013291 | 140 | 77.25 | 62.88 | 29.78 | 28.75 | 4.50 | 9.12 | 6.00 | 7/8, 1, 1-1/8, 1-1/4 | 1.75 | 2.53 | 3957 |
| M140SX24H | 2013295 | 140 | 77.25 | 62.88 | 33.78 | 28.75 | 4.50 | 9.12 | 6.00 | 7/8, 1, 1-1/8, 1-1/4 | 1.75 | 2.53 | 4437 |
| 150 TON | | | | | | | | | | | | | |
| M150Q24L | 2013299 | 150 | 72.00 | 62.88 | 16.44 | 28.75 | 4.50 | 9.12 | 6.00 | 7/8, 1, 1-1/8, 1-1/4 | — | — | 2753 |
| M150Q24M | 2013303 | 150 | 72.00 | 62.88 | 24.19 | 28.75 | 4.50 | 9.12 | 6.00 | 7/8, 1, 1-1/8, 1-1/4 | — | — | 3385 |
| M150Q24H | 2013307 | 150 | 72.00 | 62.88 | 28.19 | 28.75 | 4.50 | 9.12 | 6.00 | 7/8, 1, 1-1/8, 1-1/4 | — | — | 3865 |
| M150QN24L | 2013311 | 150 | 77.25 | 62.88 | 22.00 | 28.75 | 4.50 | 9.12 | 6.00 | 7/8, 1, 1-1/8, 1-1/4 | 1.75 | 2.53 | 3655 |
| M150QN24M | 2013315 | 150 | 77.25 | 62.88 | 29.75 | 28.75 | 4.50 | 9.12 | 6.00 | 7/8, 1, 1-1/8, 1-1/4 | 1.75 | 2.53 | 4288 |
| M150QN24H | 2013319 | 150 | 77.25 | 62.88 | 33.75 | 28.75 | 4.50 | 9.12 | 6.00 | 7/8, 1, 1-1/8, 1-1/4 | 1.75 | 2.53 | 4770 |
| M150SX20L | 2013323 | 150 | 73.25 | 58.88 | 22.00 | 24.75 | 4.50 | 9.12 | 6.00 | 3/4, 7/8, 1, 1-1/8 | 1.75 | 2.53 | 2849 |
| M150SX20M | 2013327 | 150 | 73.25 | 58.88 | 26.50 | 24.75 | 4.50 | 9.12 | 6.00 | 3/4, 7/8, 1, 1-1/8 | 1.75 | 2.53 | 3145 |
| M150SX20H | 2013331 | 150 | 73.25 | 58.88 | 30.50 | 24.75 | 4.50 | 9.12 | 6.00 | 3/4, 7/8, 1, 1-1/8 | 1.75 | 2.53 | 3497 |
| M150SX24L | 2013335 | 150 | 77.25 | 62.88 | 22.03 | 28.75 | 4.50 | 9.12 | 6.00 | 7/8, 1, 1-1/8, 1-1/4 | 1.75 | 2.53 | 3325 |
| M150SX24M | 2013339 | 150 | 77.25 | 62.88 | 29.78 | 28.75 | 4.50 | 9.12 | 6.00 | 7/8, 1, 1-1/8, 1-1/4 | 1.75 | 2.53 | 3957 |
| M150SX24H | 2013343 | 150 | 77.25 | 62.88 | 33.78 | 28.75 | 4.50 | 9.12 | 6.00 | 7/8, 1, 1-1/8, 1-1/4 | 1.75 | 2.53 | 4437 |
| 165 TON | | | | | | | | | | | | | |
| M165Q24L | 2013347 | 165 | 72.00 | 62.88 | 16.44 | 28.75 | 4.50 | 9.12 | 6.00 | 7/8, 1, 1-1/8, 1-1/4 | — | — | 2753 |
| M165Q24M | 2013351 | 165 | 72.00 | 62.88 | 24.19 | 28.75 | 4.50 | 9.12 | 6.00 | 7/8, 1, 1-1/8, 1-1/4 | — | — | 3385 |
| M165Q24H | 2013355 | 165 | 72.00 | 62.88 | 28.19 | 28.75 | 4.50 | 9.12 | 6.00 | 7/8, 1, 1-1/8, 1-1/4 | — | — | 3865 |
| M165QN24L | 2013359 | 165 | 77.25 | 62.88 | 22.00 | 28.75 | 4.50 | 9.12 | 6.00 | 7/8, 1, 1-1/8, 1-1/4 | 1.75 | 2.53 | 3655 |
| M165QN24M | 2013363 | 165 | 77.25 | 62.88 | 29.75 | 28.75 | 4.50 | 9.12 | 6.00 | 7/8, 1, 1-1/8, 1-1/4 | 1.75 | 2.53 | 4288 |
| M165QN24H | 2013367 | 165 | 77.25 | 62.88 | 33.75 | 28.75 | 4.50 | 9.12 | 6.00 | 7/8, 1, 1-1/8, 1-1/4 | 1.75 | 2.53 | 4770 |
| M165SX20L | 2013371 | 165 | 73.25 | 58.88 | 22.00 | 24.75 | 4.50 | 9.12 | 6.00 | 3/4, 7/8, 1, 1-1/8 | 1.75 | 2.53 | 2849 |
| M165SX20M | 2013375 | 165 | 73.25 | 58.88 | 26.50 | 24.75 | 4.50 | 9.12 | 6.00 | 3/4, 7/8, 1, 1-1/8 | 1.75 | 2.53 | 3145 |
| M165SX20H | 2013379 | 165 | 73.25 | 58.88 | 30.50 | 34.75 | 4.50 | 9.12 | 6.00 | 3/4, 7/8, 1, 1-1/8 | 1.75 | 2.53 | 3497 |
| M165SX24L | 2013383 | 165 | 77.25 | 62.88 | 22.03 | 28.75 | 4.50 | 9.12 | 6.00 | 7/8, 1, 1-1/8, 1-1/4 | 1.75 | 2.53 | 3325 |
| M165SX24M | 2013387 | 165 | 77.25 | 62.88 | 29.78 | 28.75 | 4.50 | 9.12 | 6.00 | 7/8, 1, 1-1/8, 1-1/4 | 1.75 | 2.53 | 3957 |

McKissick Blocks

McKissick® 380 Series Crane Blocks

| Model No. | Inquiry Stock No. | Working Load Limit (Tons) † | A Overall Length (in.) | B Net Length (in.) | E Thickness (in.) | F Width (in.) | H Throat Opening With Flapper (in.) | J Hook Thickness (in.) | K Hook Width (in.) | Standard Wire Line Sizes (in.)* | Dead End ‡ | | Weight Each (lbs.) |
|----------------|-------------------|-----------------------------|------------------------|--------------------|-------------------|---------------|-------------------------------------|------------------------|--------------------|---------------------------------|-------------------|------------------|--------------------|
| | | | | | | | | | | | T Thickness (in.) | U Pin Hole (in.) | |
| M165SX24H | 2013391 | 165 | 77.25 | 62.88 | 33.78 | 28.75 | 4.50 | 9.12 | 6.00 | 7/8, 1, 1-1/8, 1-1/4 | 1.75 | 2.53 | 4437 |
| 200 TON | | | | | | | | | | | | | |
| M200QN24L | 2013395 | 200 | 82.75 | 67.75 | 24.00 | 28.75 | 5.00 | 9.75 | 7.00 | 7/8, 1, 1-1/8, 1-1/4 | 1.75 | 2.53 | 4600 |
| M200QN24M | 2013399 | 200 | 82.75 | 67.75 | 31.75 | 28.75 | 5.00 | 9.75 | 7.00 | 7/8, 1, 1-1/8, 1-1/4 | 1.75 | 2.53 | 5377 |
| M200QN24H | 2013403 | 200 | 82.75 | 67.75 | 35.75 | 28.75 | 5.00 | 9.75 | 7.00 | 7/8, 1, 1-1/8, 1-1/4 | 1.75 | 2.53 | 5840 |
| M200QN30L | 2013396 | 200 | 88.75 | 73.75 | 24.00 | 34.75 | 5.00 | 9.75 | 7.00 | 1, 1-1/8, 1-1/4, 1-3/8 | 1.75 | 2.53 | 5243 |
| M200QN30M | 2013400 | 200 | 88.75 | 73.75 | 26.50 | 34.75 | 5.00 | 9.75 | 7.00 | 1, 1-1/8, 1-1/4, 1-3/8 | 1.75 | 2.53 | 6142 |
| M200QN30H | 2013404 | 200 | 88.75 | 73.75 | 28.00 | 34.75 | 5.00 | 9.75 | 7.00 | 1, 1-1/8, 1-1/4, 1-3/8 | 1.75 | 2.53 | 6722 |
| M200SX24L | 2013407 | 200 | 82.75 | 67.75 | 24.00 | 28.75 | 5.00 | 9.75 | 7.00 | 7/8, 1, 1-1/8, 1-1/4 | 1.75 | 2.53 | 4377 |
| M200SX24M | 2013411 | 200 | 82.75 | 67.75 | 31.75 | 28.75 | 5.00 | 9.75 | 7.00 | 7/8, 1, 1-1/8, 1-1/4 | 1.75 | 2.53 | 5015 |
| M200SX24H | 2013415 | 200 | 82.75 | 67.75 | 35.75 | 28.75 | 5.00 | 9.75 | 7.00 | 7/8, 1, 1-1/8, 1-1/4 | 1.75 | 2.53 | 5492 |
| M200SX30L | 2013419 | 200 | 88.75 | 73.75 | 24.00 | 34.75 | 5.00 | 9.75 | 7.00 | 1, 1-1/8, 1-1/4, 1-3/8 | 1.75 | 2.53 | 5600 |
| M200SX30M | 2013423 | 200 | 88.75 | 73.75 | 26.50 | 34.75 | 5.00 | 9.75 | 7.00 | 1, 1-1/8, 1-1/4, 1-3/8 | 1.75 | 2.53 | 7070 |
| M200SX30H | 2013427 | 200 | 88.75 | 73.75 | 28.00 | 34.75 | 5.00 | 9.75 | 7.00 | 1, 1-1/8, 1-1/4, 1-3/8 | 1.75 | 2.53 | 7214 |
| 225 TON | | | | | | | | | | | | | |
| M225QN24L | 2013420 | 225 | 82.75 | 67.75 | 24.00 | 28.75 | 6.25 | 10.62 | 7.25 | 7/8, 1, 1-1/8, 1-1/4 | 1.75 | 2.53 | 4672 |
| M225QN24M | 2013424 | 225 | 82.75 | 67.75 | 31.75 | 28.75 | 6.25 | 10.62 | 7.25 | 7/8, 1, 1-1/8, 1-1/4 | 1.75 | 2.53 | 5377 |
| M225QN24H | 2013428 | 225 | 82.75 | 67.75 | 35.75 | 28.75 | 6.25 | 10.62 | 7.25 | 7/8, 1, 1-1/8, 1-1/4 | 1.75 | 2.53 | 5840 |
| M225QN30L | 2013421 | 225 | 88.75 | 73.75 | 24.00 | 34.75 | 6.25 | 10.62 | 7.25 | 1, 1-1/8, 1-1/4, 1-3/8 | 1.75 | 2.53 | 5243 |
| M225QN30M | 2013425 | 225 | 88.75 | 73.75 | 26.50 | 34.75 | 6.25 | 10.62 | 7.25 | 1, 1-1/8, 1-1/4, 1-3/8 | 1.75 | 2.53 | 6142 |
| M225QN30H | 2013429 | 225 | 88.75 | 73.75 | 28.00 | 34.75 | 6.25 | 10.62 | 7.25 | 1, 1-1/8, 1-1/4, 1-3/8 | 1.75 | 2.53 | 6722 |
| M225SX24L | 2013422 | 225 | 82.75 | 67.75 | 24.00 | 28.75 | 6.25 | 10.62 | 7.25 | 7/8, 1, 1-1/8, 1-1/4 | 1.75 | 2.53 | 4377 |
| M225SX24M | 2013426 | 225 | 82.75 | 67.75 | 31.75 | 28.75 | 6.25 | 10.62 | 7.25 | 7/8, 1, 1-1/8, 1-1/4 | 1.75 | 2.53 | 5010 |
| M225SX24H | 2013430 | 225 | 82.75 | 67.75 | 35.75 | 28.75 | 6.25 | 10.62 | 7.25 | 7/8, 1, 1-1/8, 1-1/4 | 1.75 | 2.53 | 5492 |
| M225SX30L | 2013432 | 225 | 88.75 | 73.75 | 24.00 | 34.75 | 6.25 | 10.62 | 7.25 | 1, 1-1/8, 1-1/4, 1-3/8 | 1.75 | 2.53 | 5734 |
| M225SX30M | 2013436 | 225 | 88.75 | 73.75 | 26.50 | 34.75 | 6.25 | 10.62 | 7.25 | 1, 1-1/8, 1-1/4, 1-3/8 | 1.75 | 2.53 | 6634 |
| M225SX30H | 2013440 | 225 | 88.75 | 73.75 | 28.00 | 34.75 | 6.25 | 10.62 | 7.25 | 1, 1-1/8, 1-1/4, 1-3/8 | 1.75 | 2.53 | 7214 |
| 250 TON | | | | | | | | | | | | | |
| M250SX30L | 2013431 | 250 | 93.25 | 77.38 | 28.50 | 36.50 | 6.25 | 10.62 | 7.25 | 1, 1-1/8, 1-1/4, 1-3/8 | 2.25 | 2.53 | 7274 |
| M250SX30M | 2013435 | 250 | 93.25 | 77.38 | 32.50 | 36.50 | 6.25 | 10.62 | 7.25 | 1, 1-1/8, 1-1/4, 1-3/8 | 2.25 | 2.53 | 8154 |
| M250SX30H | 2013439 | 250 | 93.25 | 77.38 | 34.50 | 36.50 | 6.25 | 10.62 | 7.25 | 1, 1-1/8, 1-1/4, 1-3/8 | 2.25 | 2.53 | 8724 |
| M250SV24L | 2013443 | 250 | 87.25 | 71.38 | 36.00 | 28.75 | 6.25 | 10.62 | 7.25 | 7/8, 1, 1-1/8, 1-1/4 | 2.25 | 2.53 | 6459 |
| M250SV24M | 2013447 | 250 | 87.25 | 71.38 | 43.75 | 28.75 | 6.25 | 10.62 | 7.25 | 7/8, 1, 1-1/8, 1-1/4 | 2.25 | 2.53 | 7163 |
| M250SV24H | 2013451 | 250 | 87.25 | 71.38 | 47.75 | 28.75 | 6.25 | 10.62 | 7.25 | 7/8, 1, 1-1/8, 1-1/4 | 2.25 | 2.53 | 7628 |
| 275 TON | | | | | | | | | | | | | |
| M275SX30L | 2013456 | 275 | 93.25 | 77.38 | 28.50 | 36.50 | 6.25 | 10.62 | 7.25 | 1, 1-1/8, 1-1/4, 1-3/8 | 2.25 | 2.53 | 7274 |
| M275SX30M | 2013460 | 275 | 93.25 | 77.38 | 32.50 | 36.50 | 6.25 | 10.62 | 7.25 | 1, 1-1/8, 1-1/4, 1-3/8 | 2.25 | 2.53 | 8154 |
| M275SX30H | 2013464 | 275 | 93.25 | 77.38 | 34.50 | 36.50 | 6.25 | 10.62 | 7.25 | 1, 1-1/8, 1-1/4, 1-3/8 | 2.25 | 2.53 | 8724 |
| M275SV24L | 2013457 | 275 | 87.25 | 71.38 | 36.00 | 28.75 | 6.25 | 10.62 | 7.25 | 7/8, 1, 1-1/8, 1-1/4 | 2.25 | 2.53 | 6459 |
| M275SV24M | 2013461 | 275 | 87.25 | 71.38 | 43.75 | 28.75 | 6.25 | 10.62 | 7.25 | 7/8, 1, 1-1/8, 1-1/4 | 2.25 | 2.53 | 7163 |
| M275SV24H | 2013465 | 275 | 87.25 | 71.38 | 47.75 | 28.75 | 6.25 | 10.62 | 7.25 | 7/8, 1, 1-1/8, 1-1/4 | 2.25 | 2.53 | 7628 |
| 300 TON | | | | | | | | | | | | | |
| M300SX30L | 2013479 | 300 | 93.25 | 77.38 | 28.50 | 36.50 | 6.25 | 10.62 | 7.25 | 1, 1-1/8, 1-1/4, 1-3/8 | 2.25 | 2.53 | 7274 |
| M300SX30M | 2013483 | 300 | 93.25 | 77.38 | 32.50 | 36.50 | 6.25 | 10.62 | 7.25 | 1, 1-1/8, 1-1/4, 1-3/8 | 2.25 | 2.53 | 8154 |
| M300SX30H | 2013487 | 300 | 93.25 | 77.38 | 34.50 | 36.50 | 6.25 | 10.62 | 7.25 | 1, 1-1/8, 1-1/4, 1-3/8 | 2.25 | 2.53 | 8724 |
| M300SV24L | 2013491 | 300 | 87.25 | 71.38 | 36.00 | 28.75 | 6.25 | 10.62 | 7.25 | 7/8, 1, 1-1/8, 1-1/4 | 2.25 | 2.53 | 6459 |
| M300SV24M | 2013495 | 300 | 87.25 | 71.38 | 43.75 | 28.75 | 6.25 | 10.62 | 7.25 | 7/8, 1, 1-1/8, 1-1/4 | 2.25 | 2.53 | 7163 |
| M300SV24H | 2013499 | 300 | 87.25 | 71.38 | 47.75 | 28.75 | 6.25 | 10.62 | 7.25 | 7/8, 1, 1-1/8, 1-1/4 | 2.25 | 2.53 | 7628 |
| M300OCT30L | 2013527 | 300 | 93.25 | 77.38 | 36.00 | 36.50 | 6.25 | 10.62 | 7.25 | 1, 1-1/8, 1-1/4, 1-3/8 | 2.25 | 2.53 | 10145 |
| M300OCT30M | 2013531 | 300 | 93.25 | 77.38 | 38.00 | 36.50 | 6.25 | 10.62 | 7.25 | 1, 1-1/8, 1-1/4, 1-3/8 | 2.25 | 2.53 | 10887 |
| M300OCT30H | 2013535 | 300 | 93.25 | 77.38 | 39.00 | 36.50 | 6.25 | 10.62 | 7.25 | 1, 1-1/8, 1-1/4, 1-3/8 | 2.25 | 2.53 | 11592 |

* Additional wire line sizes available upon request.

† Ultimate Load is 4 times the Working Load Limit unless otherwise noted.

‡ Dead End dimensions for 2, 3, & 4 sheave blocks are shown on page 276