

McKissick® Custom Bridge Crane Blocks

Customer Name:		Date:
Address:	City:	State, Zip
Phone:	Fax:	E-Mail:
Customer Contact Name:		Quantity:

SHEAVE INFORMATION

Sheave Diameter: _____ Wire Rope Size: _____ Number of Sheaves: _____

BEARING TYPE

- Bronze Bushing Roller Bearing
 Tapered Roller Bearing Other

BLOCK INFORMATION

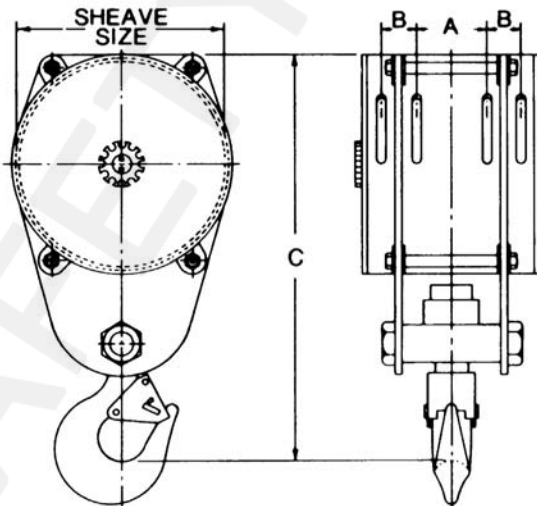
Dimensions : A: _____ B: _____ C: _____

Working Load Limit: _____

CMAA Rating: _____

LOWER FITTING TYPE

- Single Point Hook
 Duplex Hook
 Swivel Hook Latch
 Other



APPLICATION INFORMATION

Overhaul Weight Requirements: _____

Lead Line Speed: _____

Environment: _____

SPECIAL REQUIREMENTS

Special Testing: _____

Finish: _____

Third Party inspection / Approval: _____

(If 3rd party Inspection or Approval is required, please refer to page 403)

Four Position Locking Mechanism

Other (Specify) _____