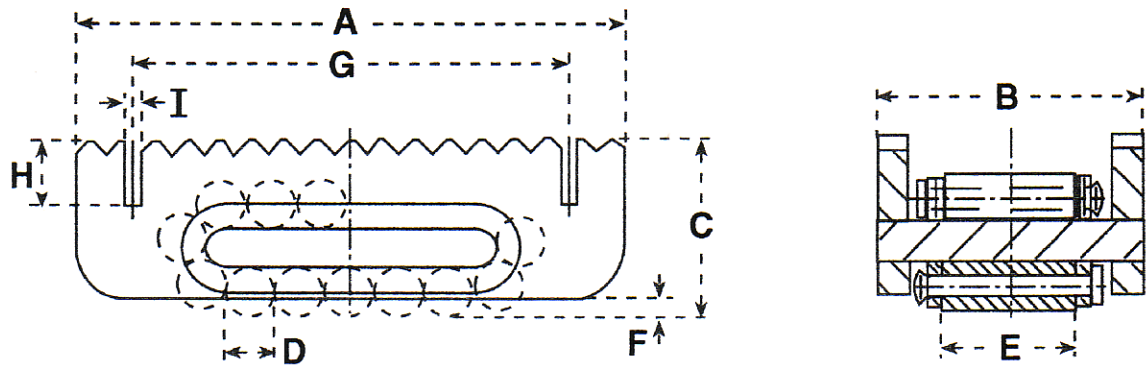


TECHNICAL SPECIFICATION

Model: RS20-03, 30-6, 60-10

Description: Replacement Skate units for SCS Kits



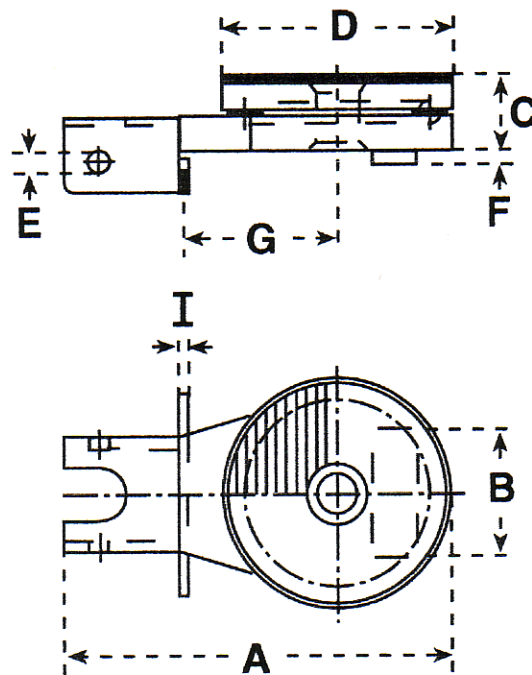
Model	Capacity tonnes	A mm	B mm	C mm	D mm	E mm	F mm	G mm	H mm	i mm	j mm	k mm	l mm	No. Rollers	Weight kgs
RS20-03	5	205	102	62	18	51	7	166	26	8	n/a	n/a	n/a	15	5.5
RS30-06	7.5	215	112	74	24	58	11	178	26	8	n/a	n/a	n/a	13	7.5
RS60-10	15	268	130	92	30	66	13	218	26	8	n/a	n/a	n/a	13	13

“Moving Loads the Professional Way!”

TECHNICAL SPECIFICATION

Model: RTT20,30 & 60

Description: 20, 30 & 40 tonne capacity, Caterpillar Skate Turntables



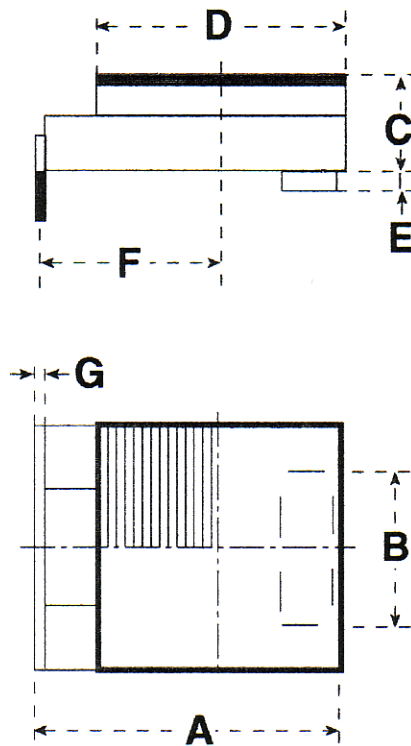
Model	Capacity tonnes	A mm	B mm	C mm	D mm	E mm	F mm	G mm	i mm	Weight kgs
RTT20	5	220	73	41	128	10.5	8	88	5	4.5
RTT30	7.5	220	85	41	128	10.5	8	88	5	4.5
RTT60	15	250	95	48	150	10.5	8	107	5	6.7

“Moving Loads the Professional Way!”

TECHNICAL SPECIFICATION

Model: RPP20,30 & 60

Description: 20, 30 & 60 tonne, Caterpillar Skate - Packing Plates



Model	Capacity tonnes	A mm	B mm	C mm	D mm	E mm	F mm	G mm	H mm	Weight kgs
RPP20	5	150	73	41	120	8	88	5	n/a	3.7
RPP30	7.5	150	85	41	120	8	88	5	n/a	5.3
RPP60	15	175	95	48	130	8	105	5	n/a	13.8

“Moving Loads the Professional Way!”