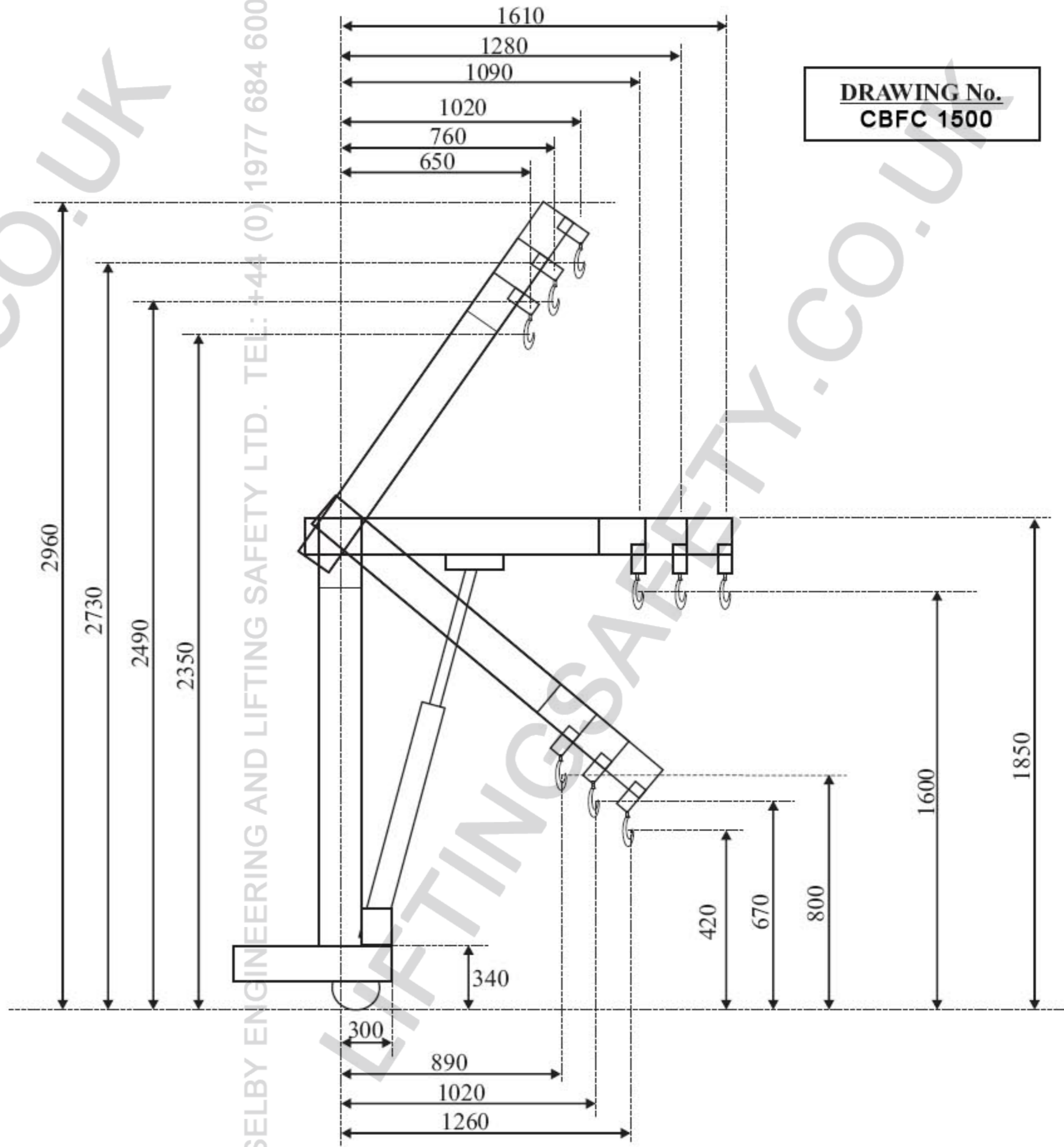


| MAX. LOAD AT POSITIONS | | | |
|------------------------|------|------|------|
| | 1 | 2 | 3 |
| Kg | 1500 | 1250 | 1000 |



DRAWING No.
CBFC 1500