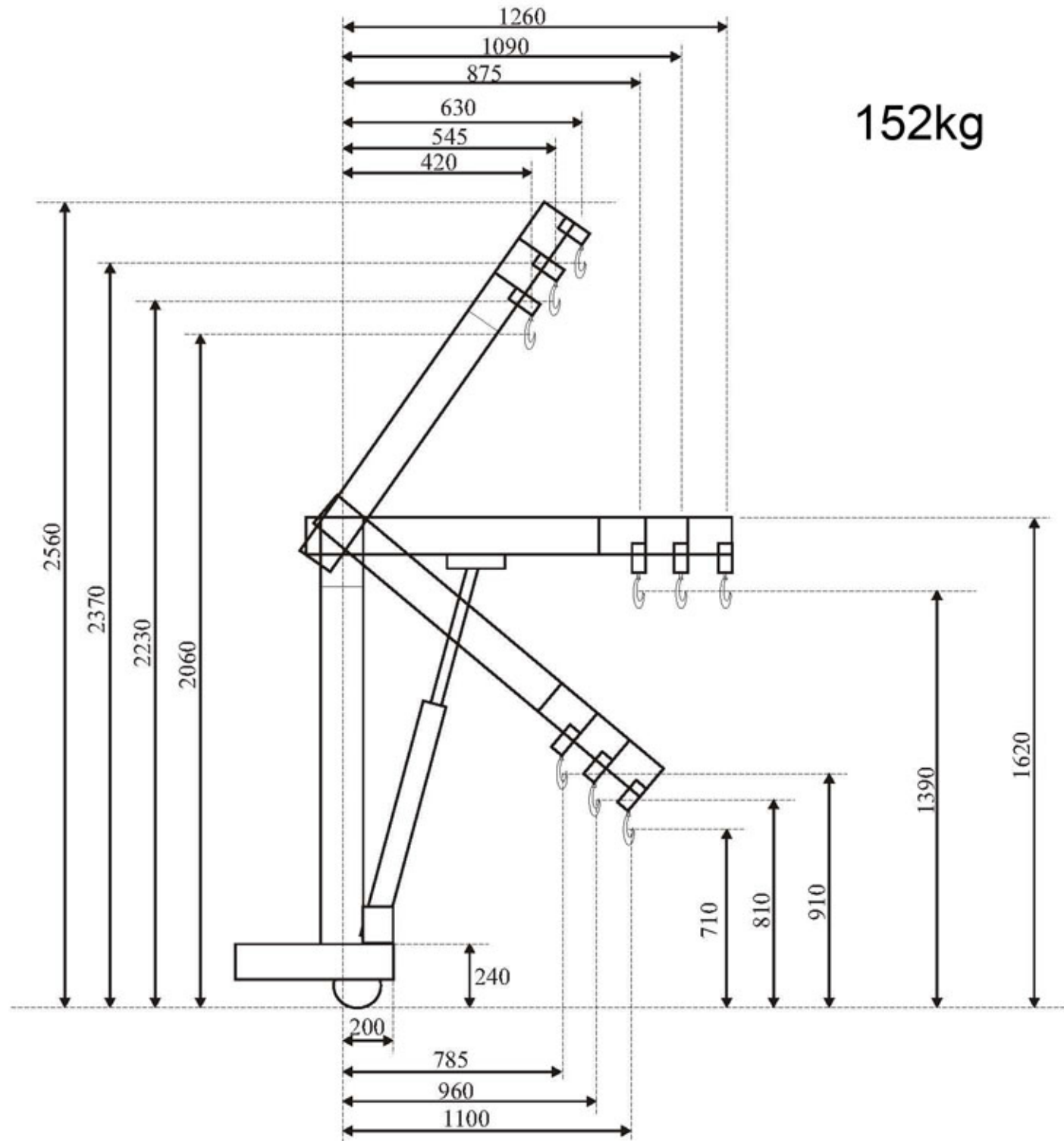
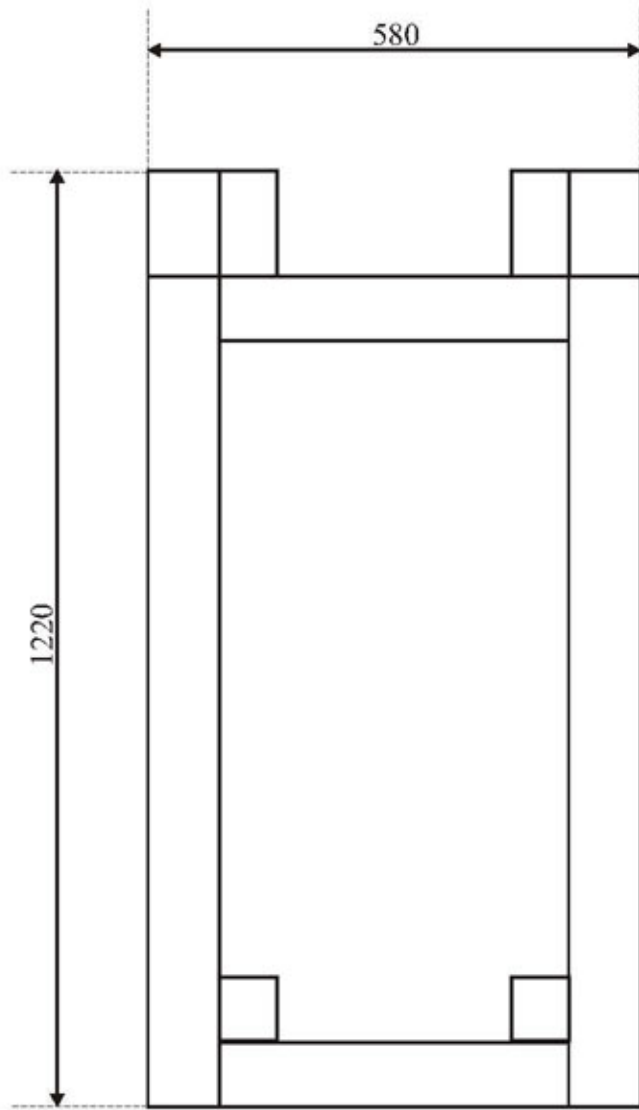
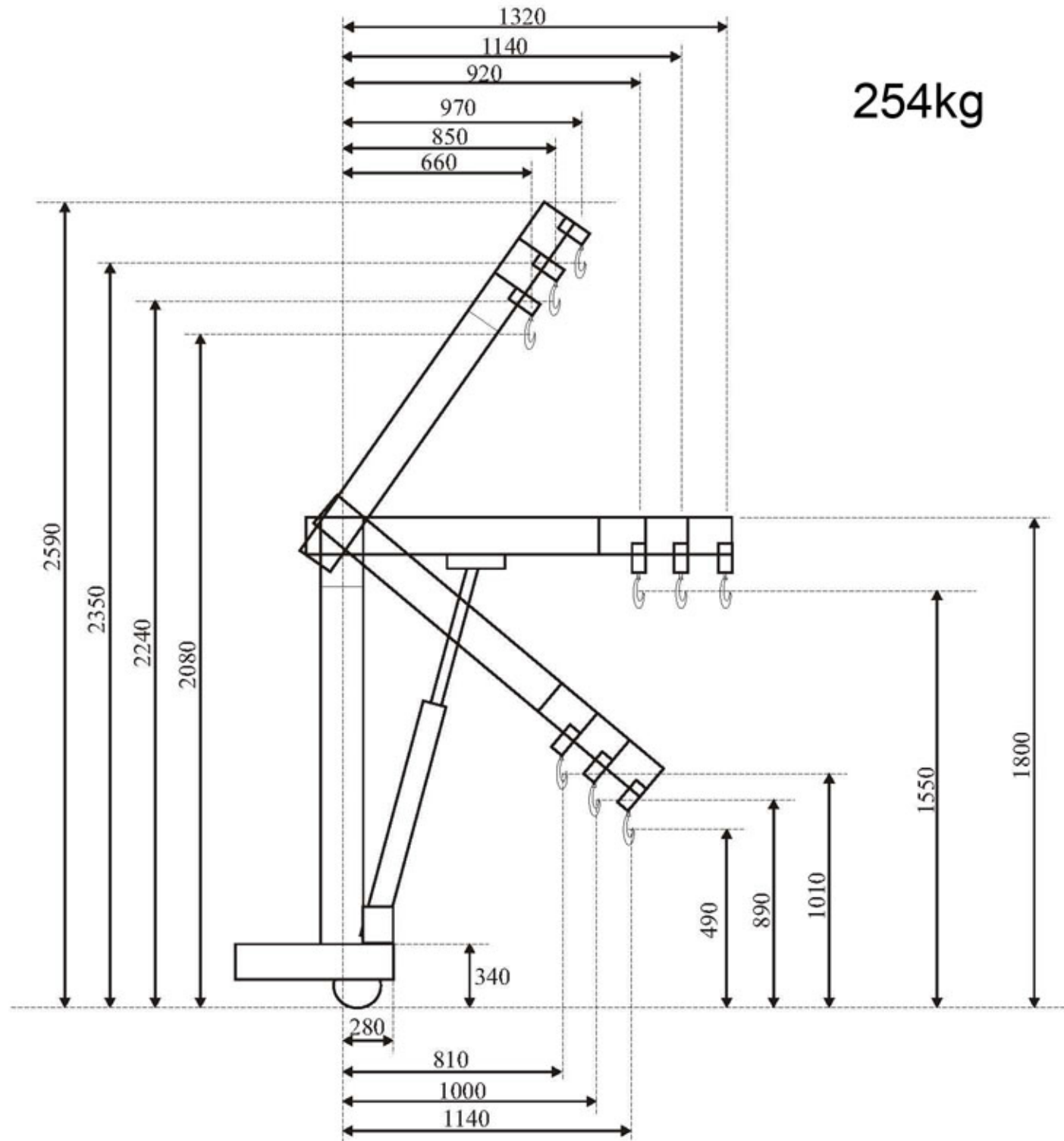


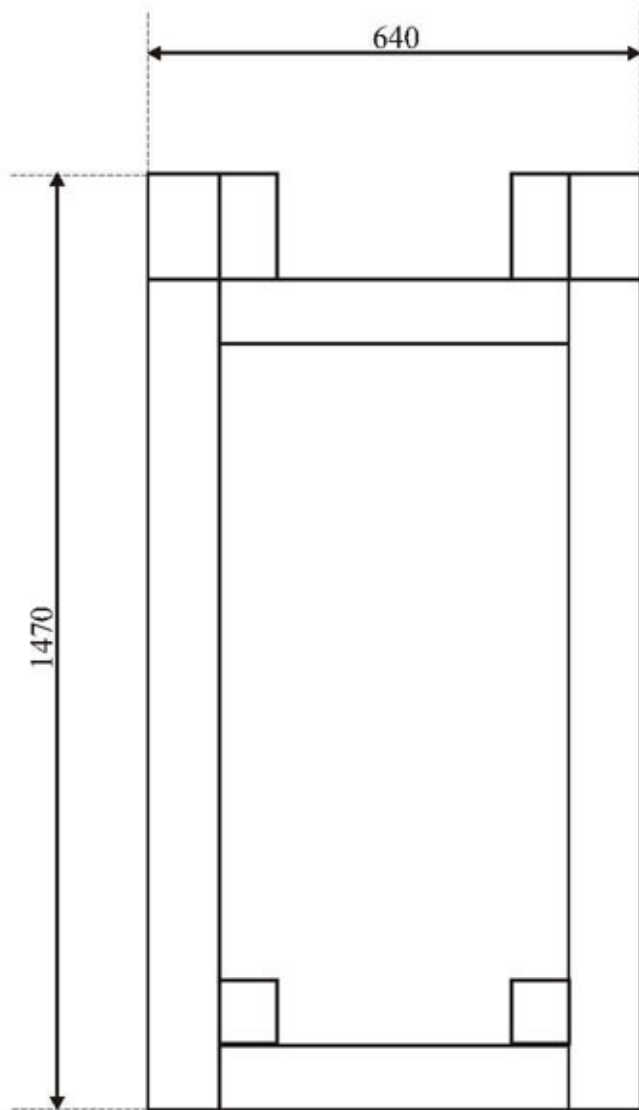
MAX. LOAD AT POSITIONS			
	1	2	3
Kg	152	102	76



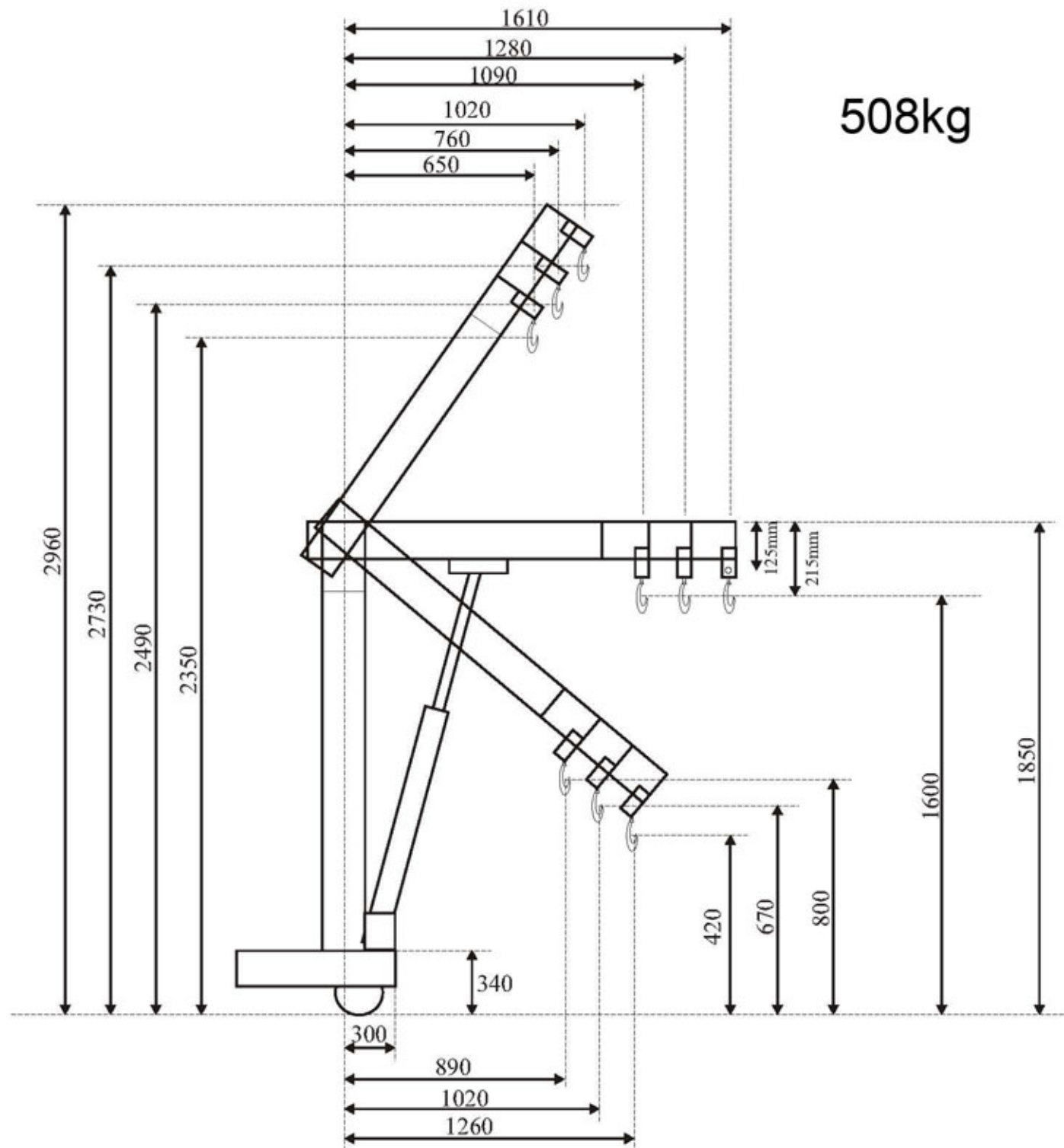


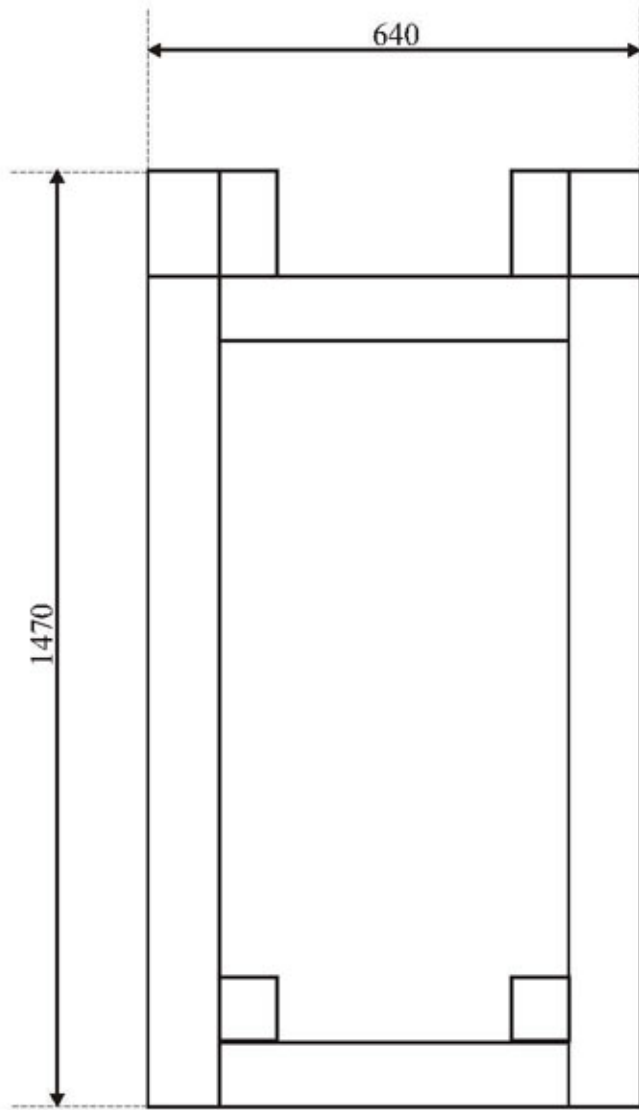
MAX. LOAD AT POSITIONS			
	1	2	3
Kg	254	178	102



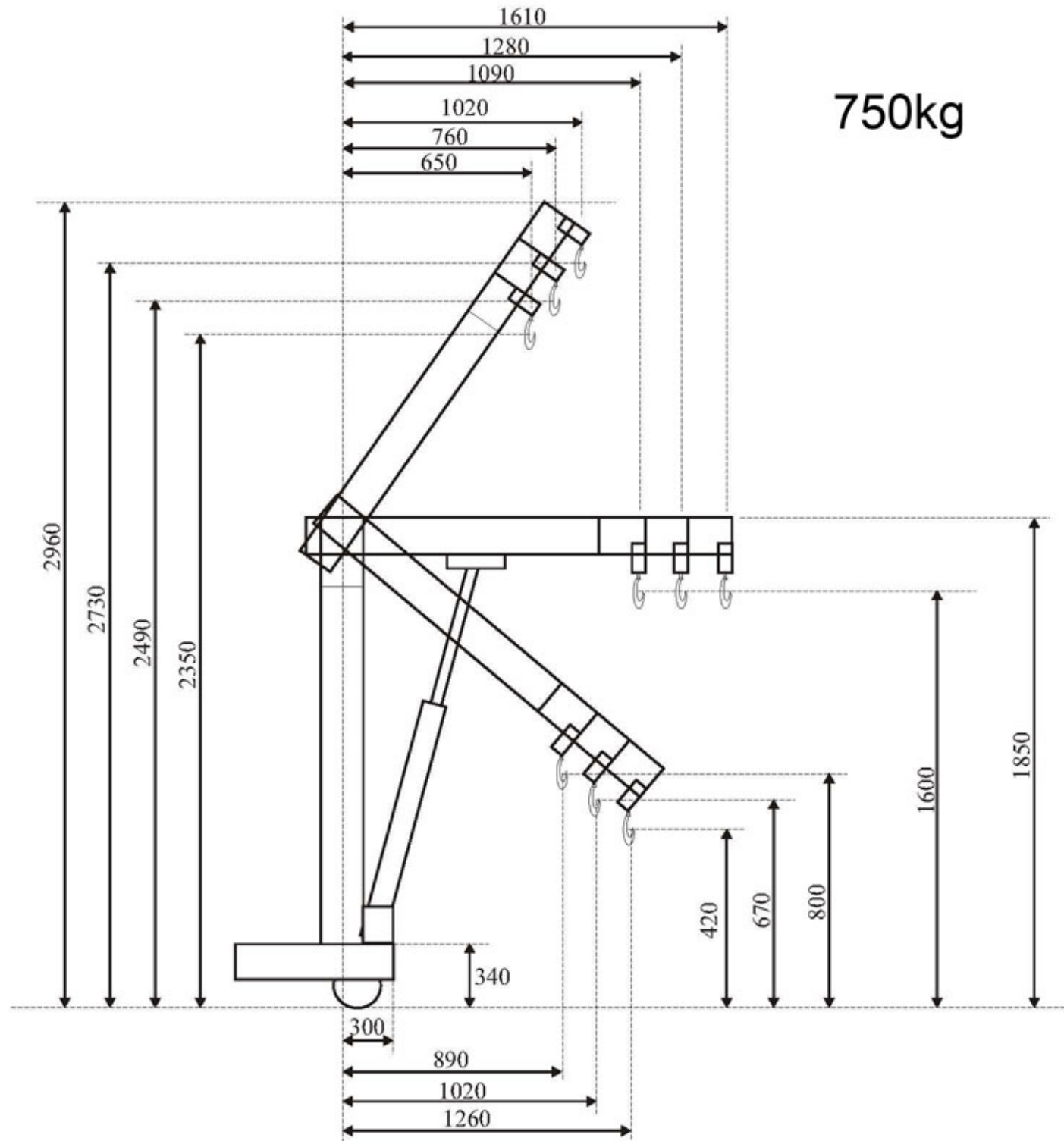


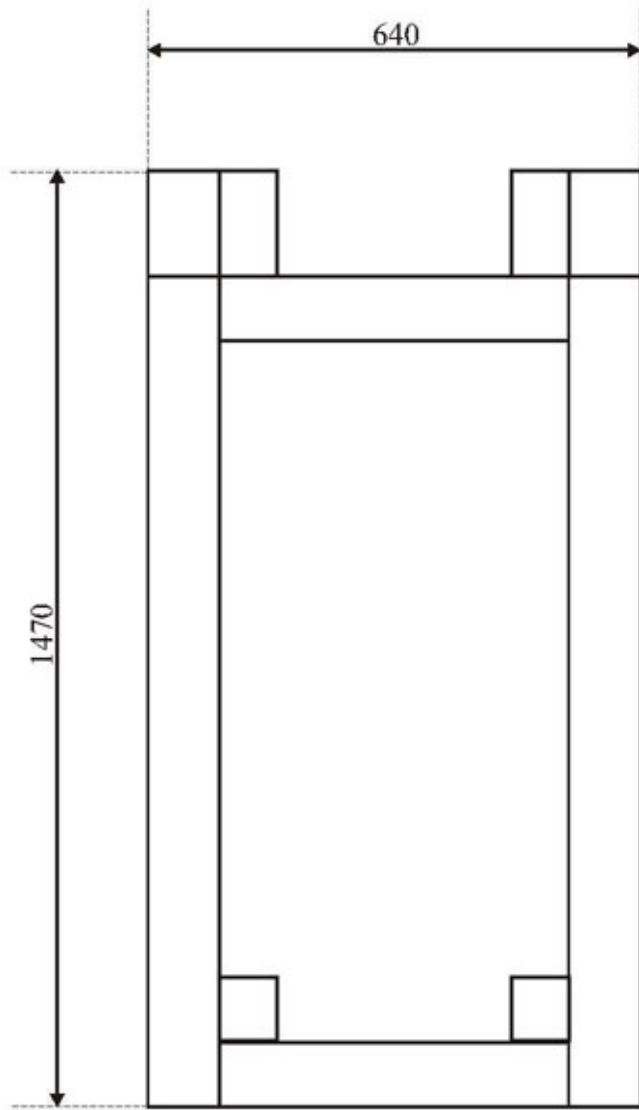
MAX. LOAD AT POSITIONS			
	1	2	3
Kg	508	381	254



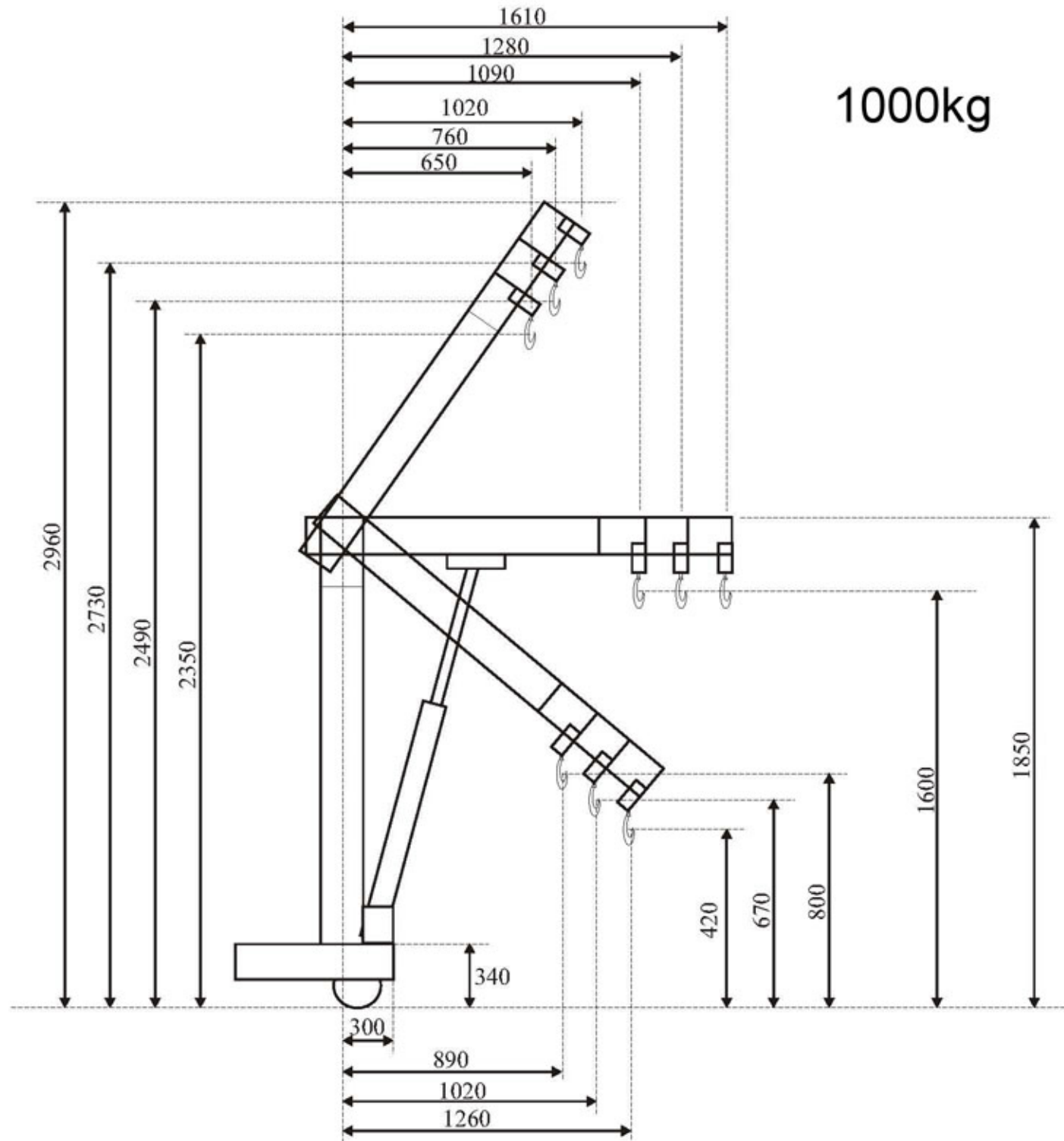


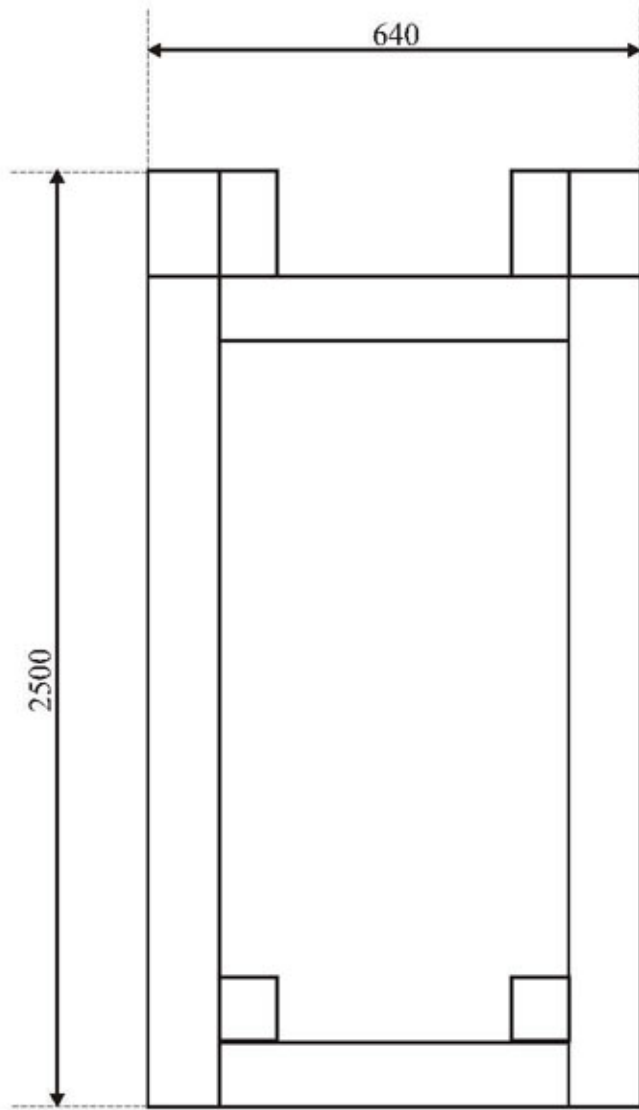
MAX. LOAD AT POSITIONS			
	1	2	3
Kg	750	600	500



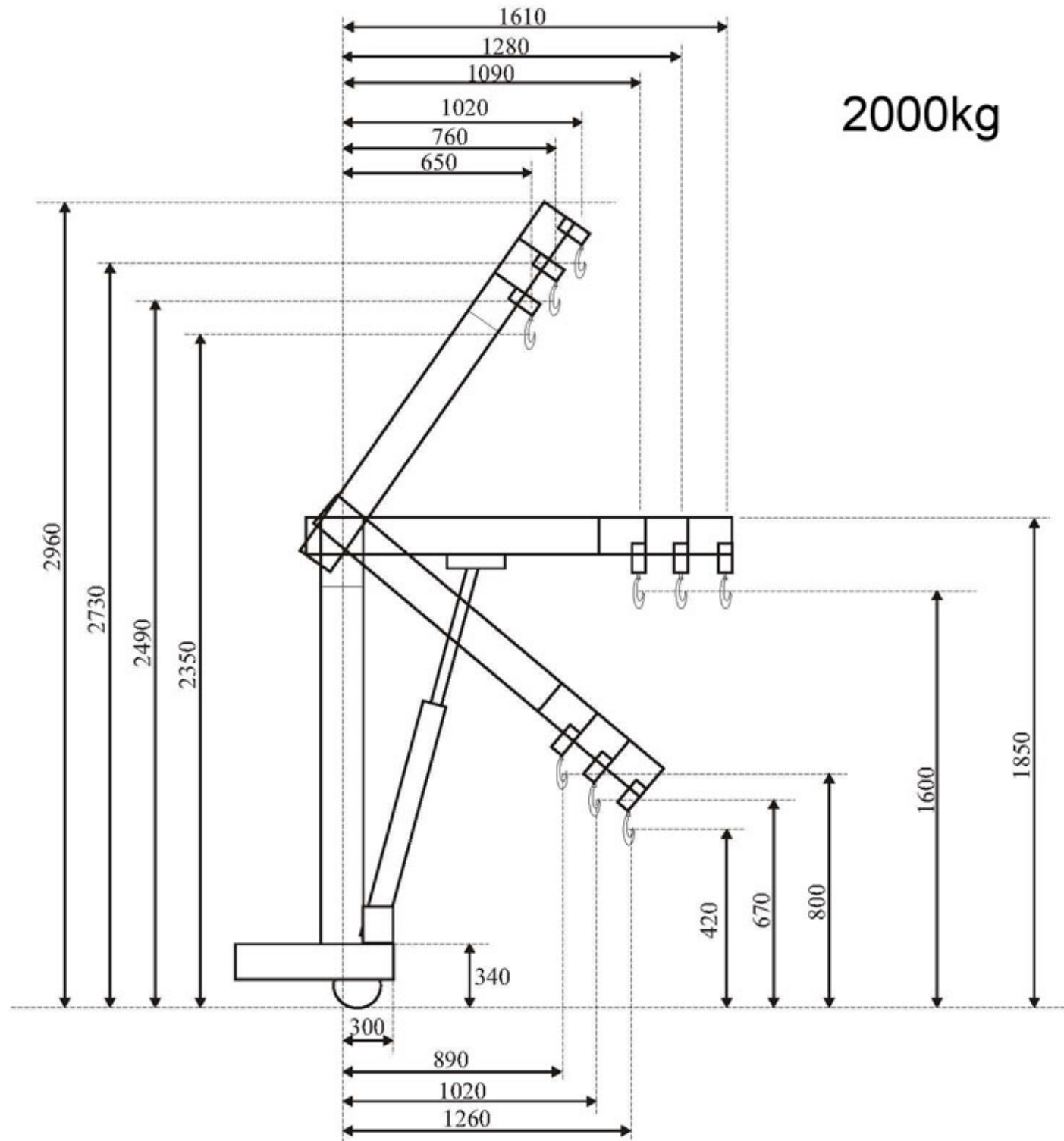


MAX. LOAD AT POSITIONS			
	1	2	3
Kg	1000	750	500





MAX. LOAD AT POSITIONS			
	1	2	3
Kg	2000	1500	1000



Model No.	152 Kg	254 Kg	508 Kg	750 Kg	1000 Kg
Capacity Position 1	152 Kg	254 Kg	508 Kg	750 Kg	1000 Kg
Capacity Position 2	102 Kg	178 Kg	381 Kg	600 Kg	750 Kg
Capacity Position 3	76 Kg	102 Kg	254 Kg	500 Kg	500 Kg
Maximum Height Hook to Ground Position 1	2060 mm	2080 mm	2350 mm	2350 mm	2350 mm
Maximum Height Hook to Ground Position 2	2230 mm	2240 mm	2490 mm	2490 mm	2490 mm
Maximum Height Hook to Ground Position 3	2370 mm	2350 mm	2730 mm	2730 mm	2730 mm
Minimum Height Hook to Ground Position 1	910 mm	1010 mm	800 mm	800 mm	800 mm
Minimum Height Hook to Ground Position 2	810 mm	890 mm	670 mm	670 mm	670 mm
Minimum Height Hook to Ground Position 3	710 mm	490 mm	420 mm	420 mm	420 mm
Column Height	1620 mm	1800 mm	1850 mm	1850 mm	1850 mm
Overall Base Length	990 mm	1220 mm	1470 mm	1470 mm	1470 mm
Base Width	540 mm	580 mm	640 mm	640 mm	640 mm
Wheel Diameter	125 mm	200 mm	200 mm	200 mm	200 mm
Weight Without Counterweight	135 Kg	180 Kg	220 Kg	250 Kg	265 Kg
Weight of Counterweight Required for Maximum Capacities	200 Kg	249 Kg	320 Kg	675 Kg	900 Kg