

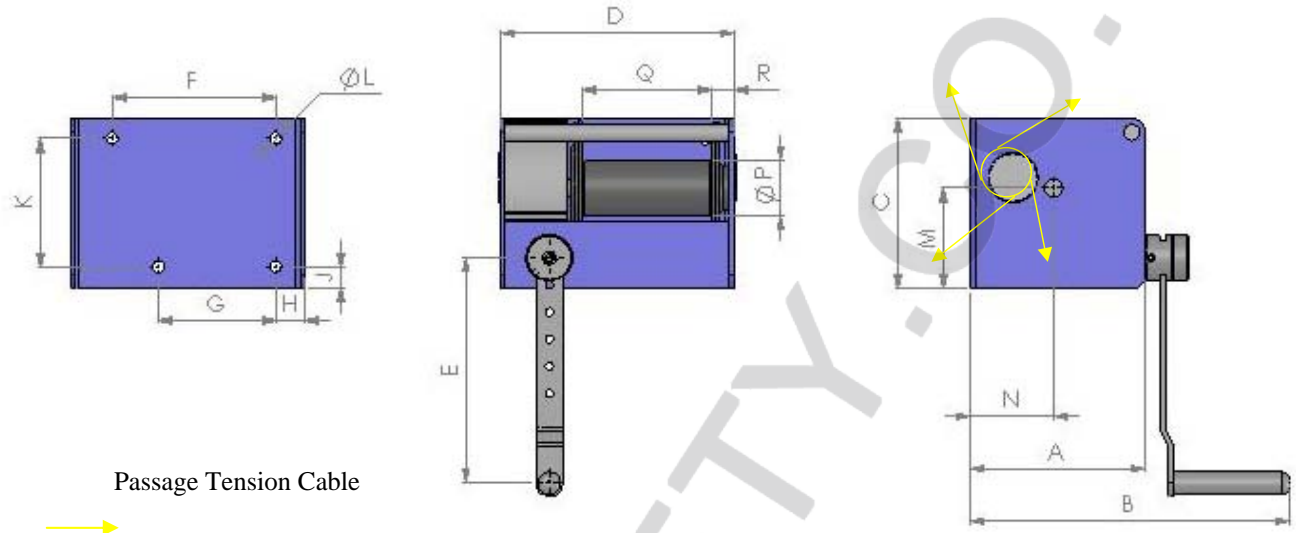
Technical data sheet

Fall Arrest Equipment  
 Carol rescue winch

GB

Fig 1

Carol winch + Fixing Bracket without wire rope 20 m code : 058199  
 Carol winch + Fixing Bracket without wire rope 30 m code : 058209



Force	A	B	C	D	Emax/Emin (1)	F	G	H	J	K	ØL	M	N	ØP	Q	R
20m 250 kg	167	332	150	202	250 / 100	137	100	26	13	118	4xØ11	89	80	60	99	24,5
30m 250 kg	195	360	188	260	250 / 100	182	130	32	18	142	4xØ13	111,5	93	70	144	36

(2) : for step of 30mm

Force	Cable			Effort for the Crank (1)	Lift per turn of Crank(2)	Weight of unit without cable
	Ø	Maximum Capacity	Number of Layers			
250 kg	5 mm	20 m	5	10 kg	21 mm	11 kg
500 kg	6,8 mm	25 m	5	13,5 kg	17 mm	17 kg

(1) : with the last layer rolled up and maximum length of crank (Emax)

(2) : with the last layer rolled up

**1. Definition**

the Carol winch rescue equipment conforms to the norm EN 1496 A. the maximum weight is 120 kg.

The Carol winch has a weight of 250 kg maximum ( (DIRECTIVE 98/37/CEE)

You can use the carol WINCH for work in suspension, if you use a second safety fall arrest conform to EN 363 ( for this application the user must respect the local regulation )

**2. Description.**

The Carol rescue winch are delivered without the wire rope, but with a Tractel Tracpod fixing bracket ( fig 2)

Wire rope of 20 meter in galvanised steel and connector M41 code : 051042

Wire rope of 30 meter in galvanised steel and connector M41 code : 051052

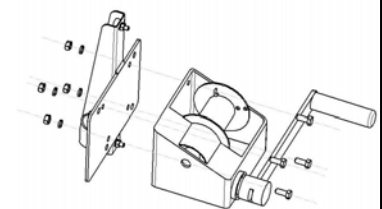


Fig 2

**3 Technical characteristics**

- Complies with machinery directive 98/37/CE and EN 1496A
- Winch satisfies all rupture and endurance test requirements per standard EN13157 :12/2004.
- Drum and gear wheel mounted on bronze bearings.
- Double braking safety by self-locking wheel and screw system and use of pawl brake with double spring.
- Rigid frame with painted mechanical parts and drum.
- Drum disengageable by easily accessible lever with safety device preventing disengagement when carrying a load.
- Users and gears protected by ergonomic cover, removable for maintenance.
- Simple, fast cable fastener.
- Variable-length control crank handle (6 adjustment positions) allowing user to either apply maximum control force, or perform rapid cranking for small loads or rewinding.
- Self-locking crank handle adjustment knob for maximum user comfort and safety. Allows adjusting crank handle or removing it to prevent operation of winch.
- The TS winch can be secured by 4 points on a vertical mounting plane.
- Easily transportable by cross bar.

SELBY ENGINEERING AND LIFTING SAFETY LTD. TEL: +44 (0) 1977 684 600