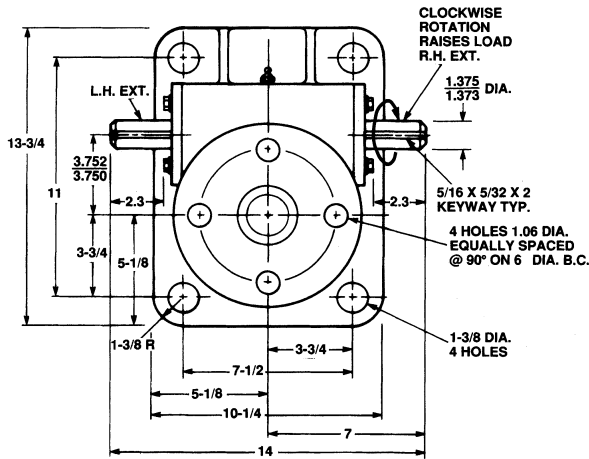
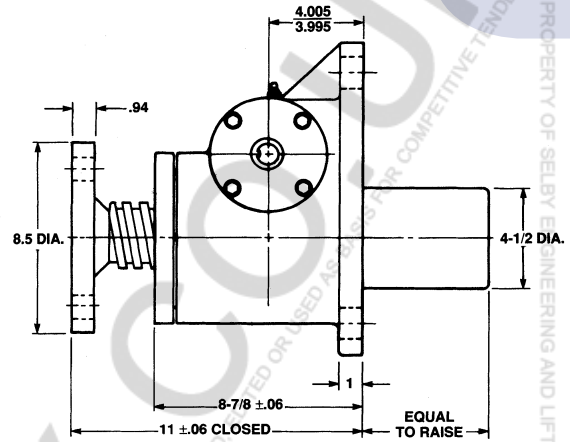


25 Ton Capacity

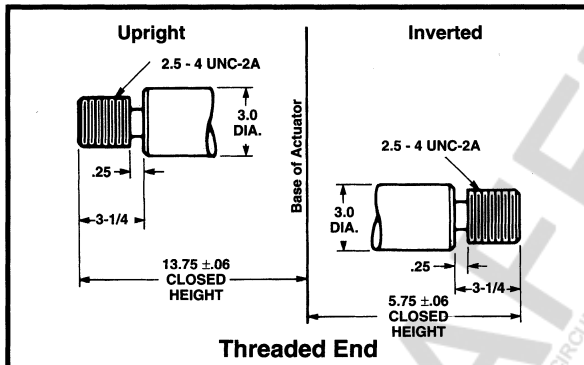
Machine Screw Actuators



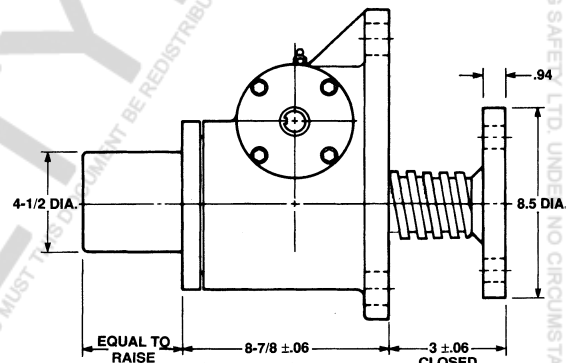
3" Diameter x .666 Lead Lifting Screws



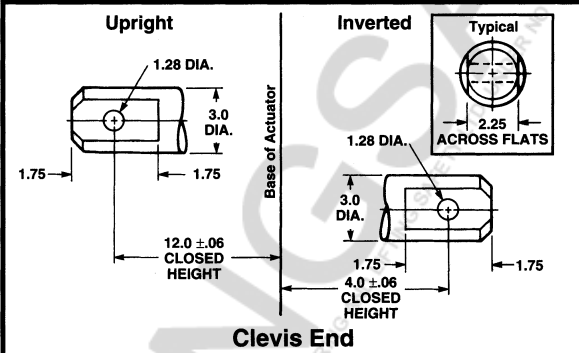
Upright: M-9025



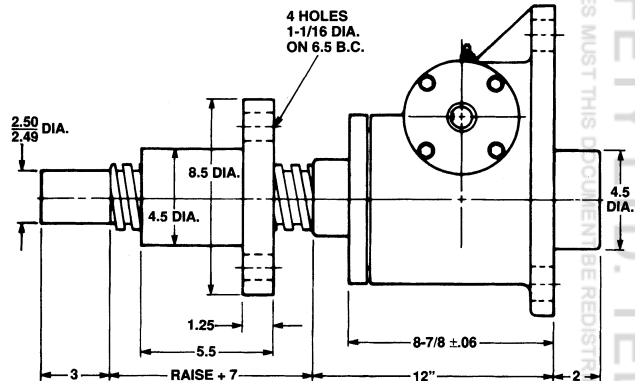
Threaded End



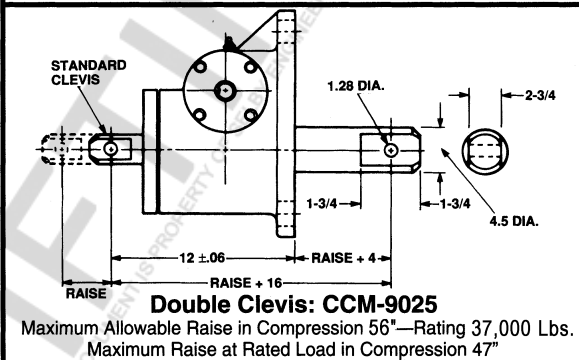
Inverted: M-9024



Clevis End



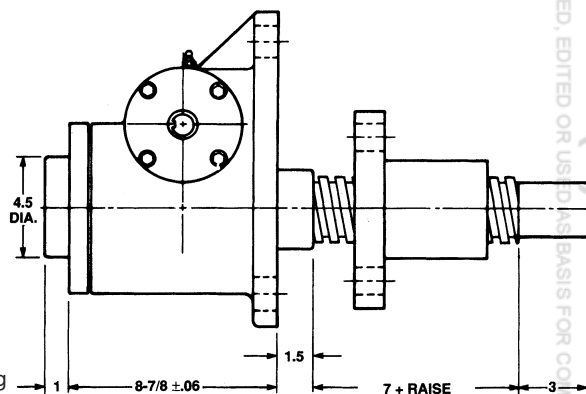
Upright Rotating: UM-9026



Double Clevis: CCM-9025

Maximum Allowable Raise in Compression 56" — Rating 37,000 Lbs.
 Maximum Raise at Rated Load in Compression 47"

Note: Lifting screw is not keyed. Top should be secured to a lifting member to prevent rotation. When a Bellows Boot is required, see pages 143-144. Dimensions are subject to change without notice.



Inverted Rotating: DM-9026