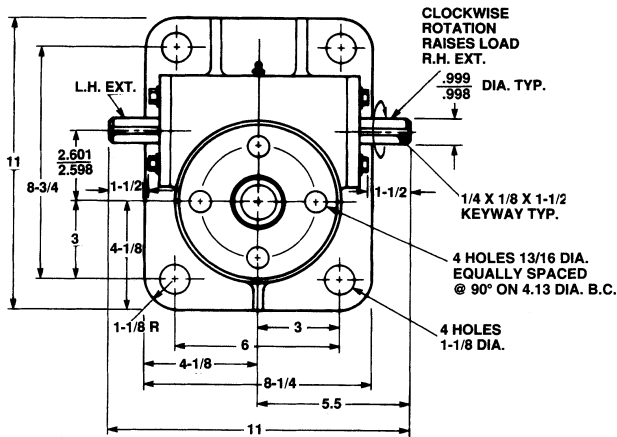
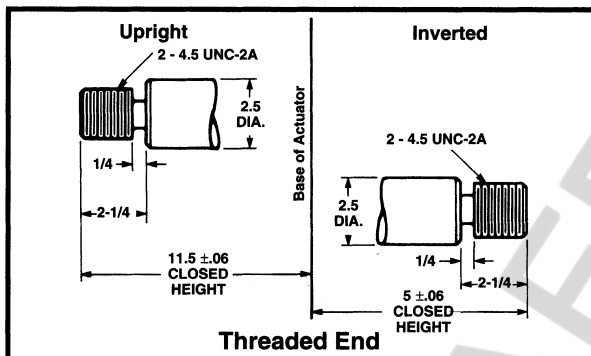


# Machine Screw Actuators

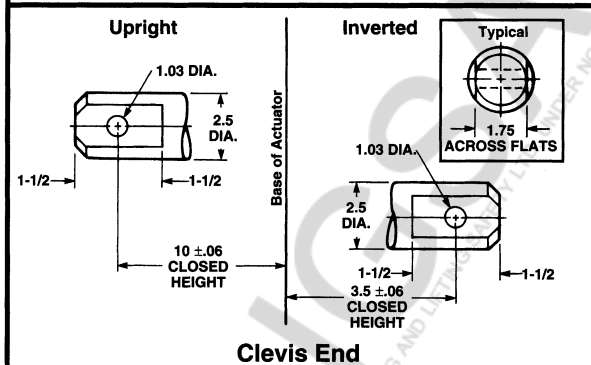
## 20 Ton Capacity



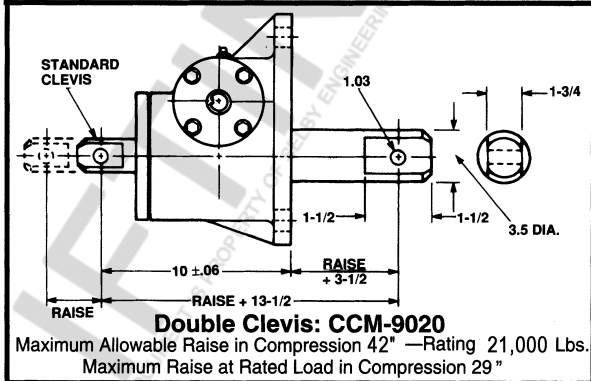
2 1/2" Diameter x .500 Lead Lifting Screws



Threaded End

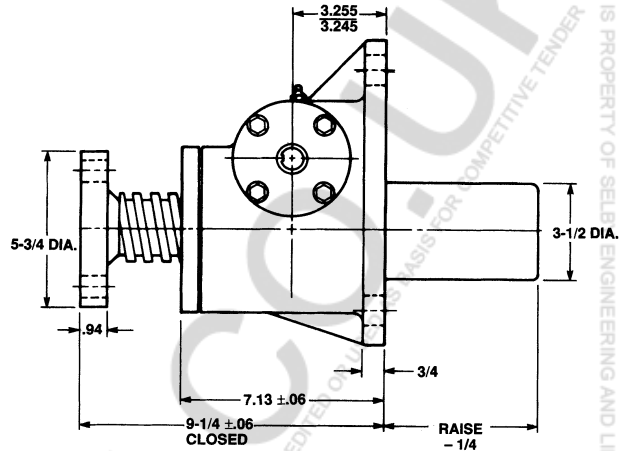


Clevis End

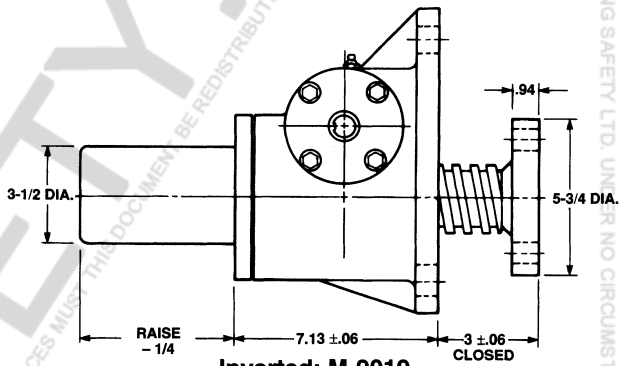


**Double Clevis: CCM-9020**  
Maximum Allowable Raise in Compression 42" —Rating 21,000 Lbs.  
Maximum Raise at Rated Load in Compression 29"

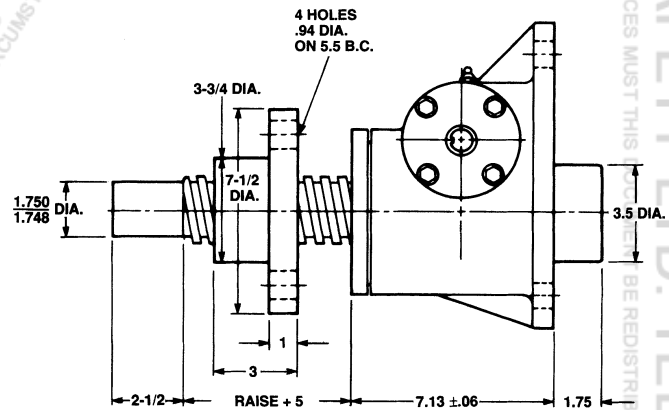
Note: Lifting screw is not keyed. Top should be secured to a lifting member to prevent rotation. When a Bellows Boot is required, see pages 143-144. Dimensions are subject to change without notice.



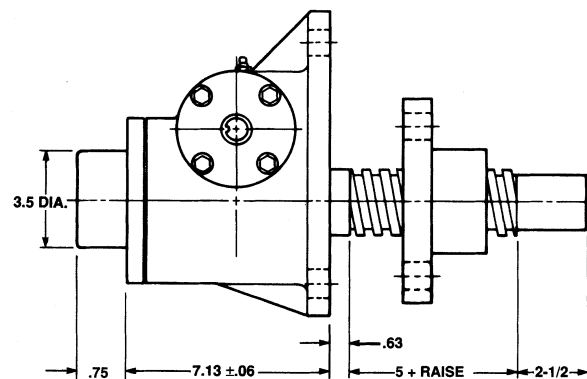
Upright: M-9020



Inverted: M-9019



Upright Rotating: AUM-9021



Inverted Rotating: ADM-9021

SELBY ENGINEERING AND LIFTING SAFETY LTD. TEL: +44 (0) 1977 684 600

THIS DOCUMENT IS PROPERTY OF SELBY ENGINEERING AND LIFTING SAFETY LTD. UNDER NO CIRCUMSTANCES MUST THIS DOCUMENT BE REDISTRIBUTED, EDITED OR USED AS BASIS FOR COMPETITIVE TENDER