



Fall Protection



EN795: 2012 Type B
CEN/TS16415: 2013 Type B

PPE Regulation (EU) 2016/425

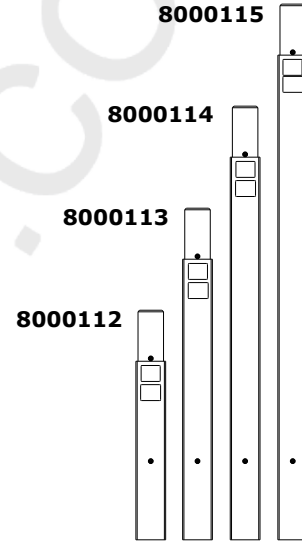
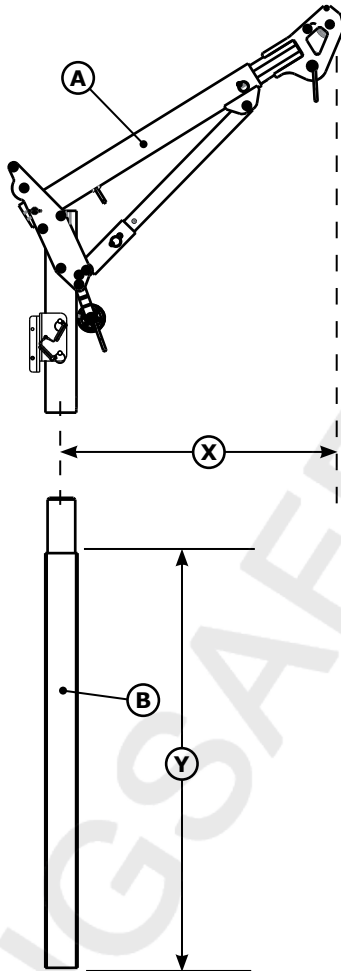
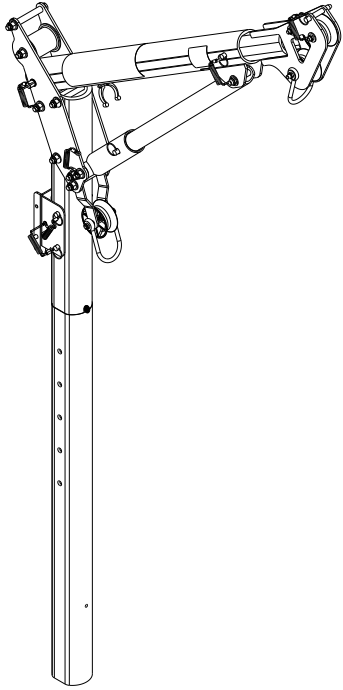
CE Type Test
No. 0086
BSI
Kitemark Court
Davy Avenue
Knowlhill
Milton Keynes
MK5 8PP
United Kingdom

CE Product Quality Control
No. 0086
BSI
Kitemark Court
Davy Avenue
Knowlhill
Milton Keynes
MK5 8PP
United Kingdom

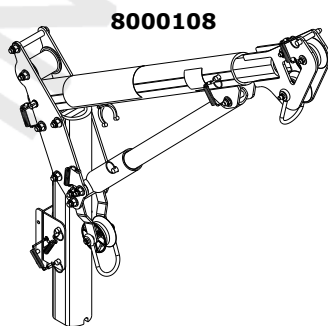
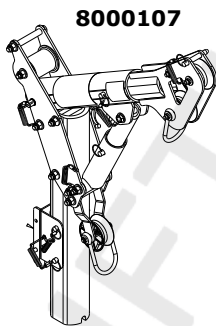
**CONFINED SPACE HIGH CAPACITY
DAVIT ASSEMBLY
Short and Long Reach**

**USER INSTRUCTION MANUAL
5908417 REV. B**

1

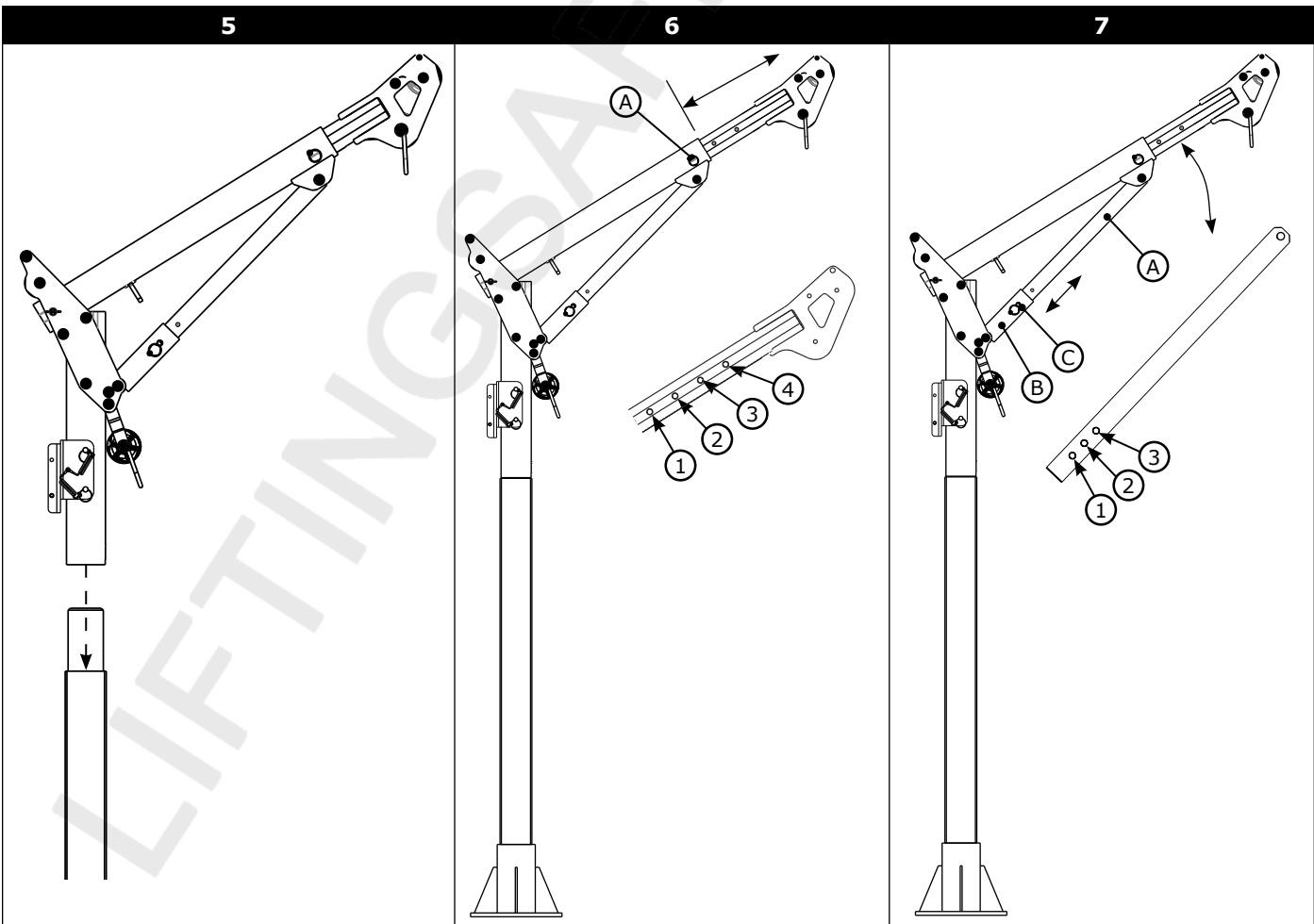
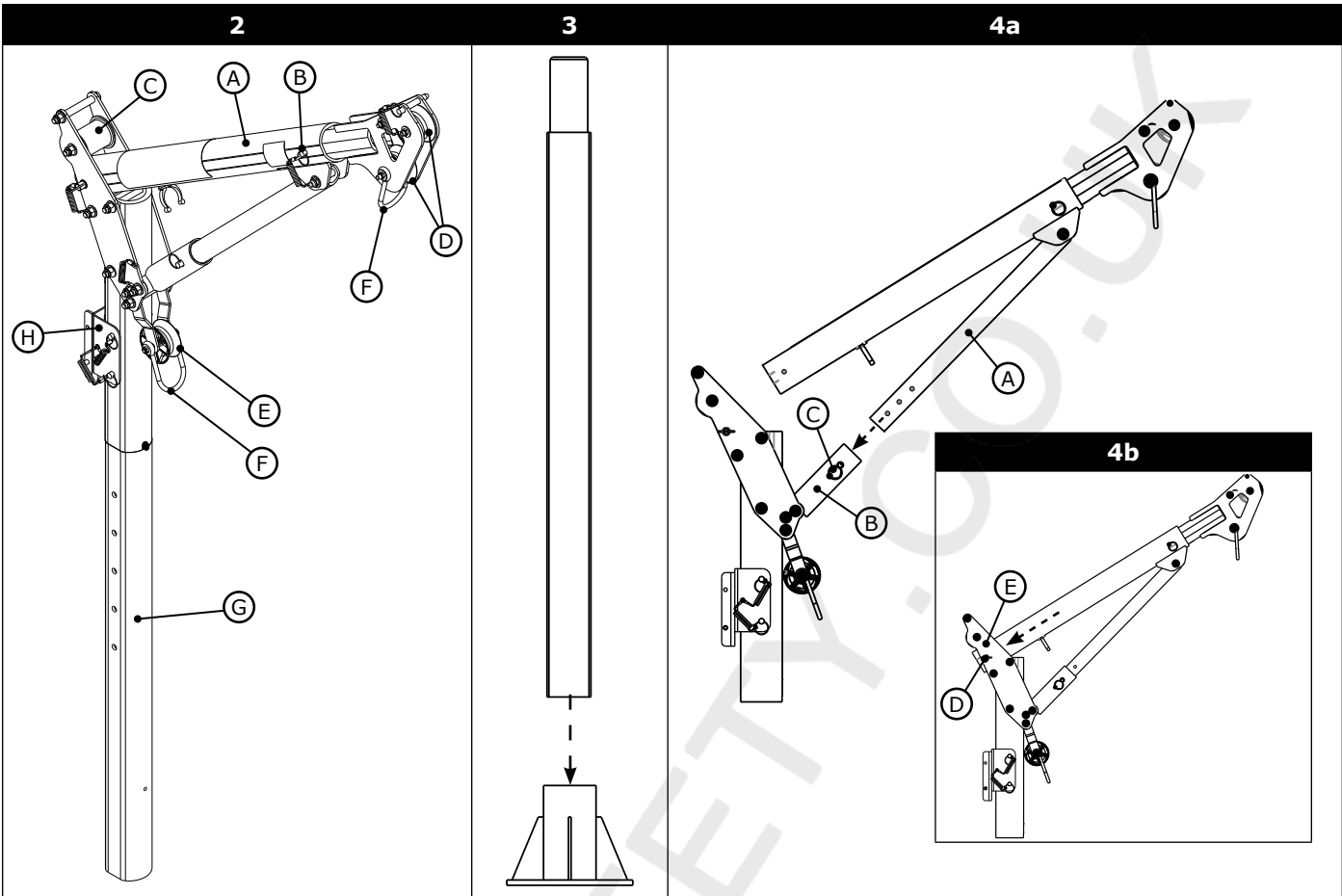


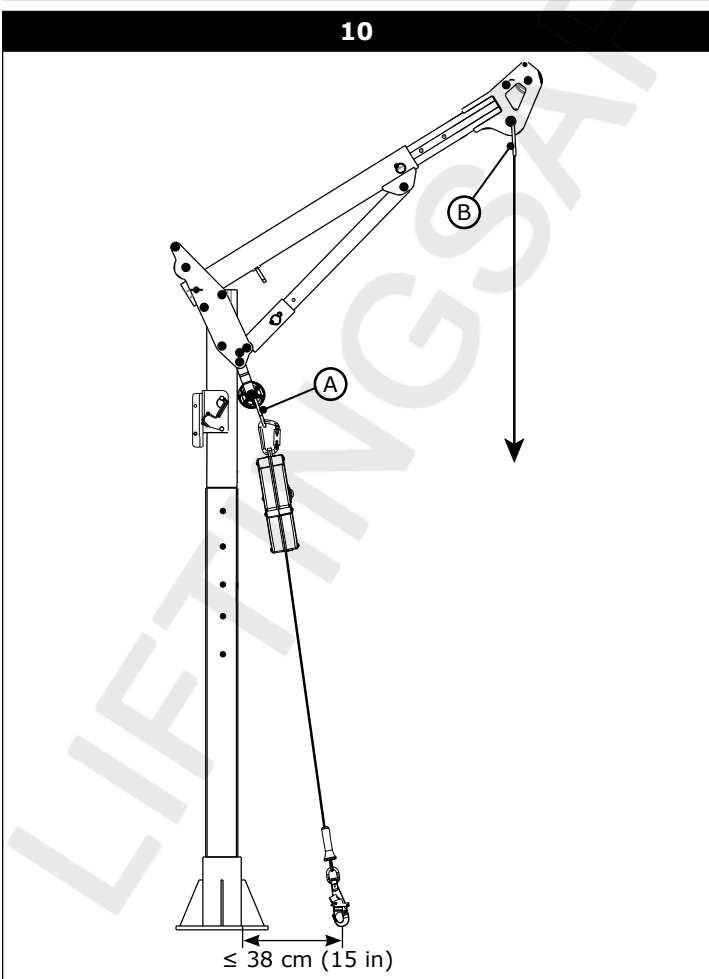
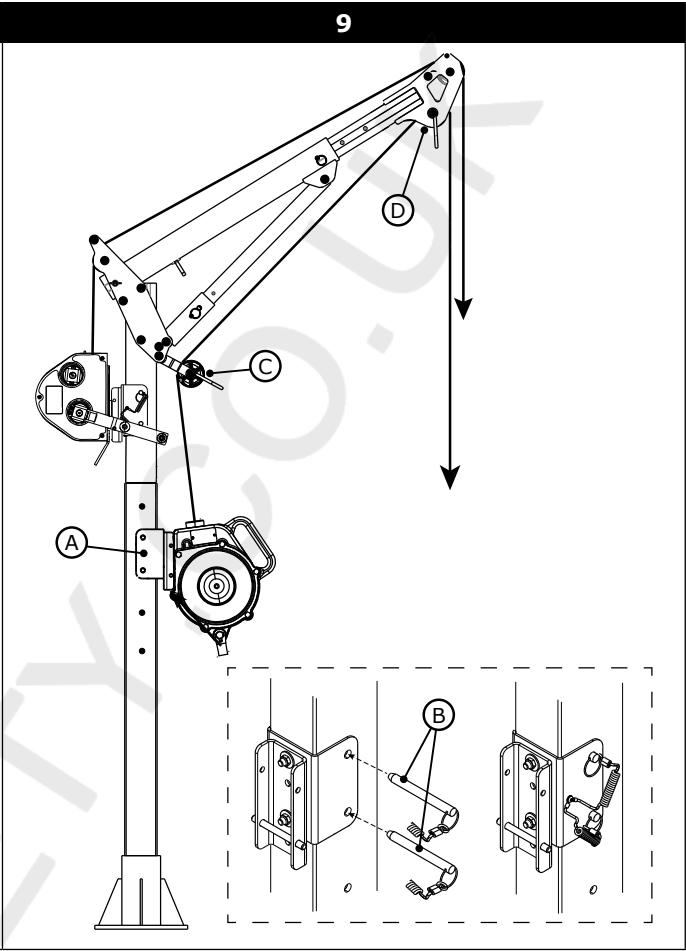
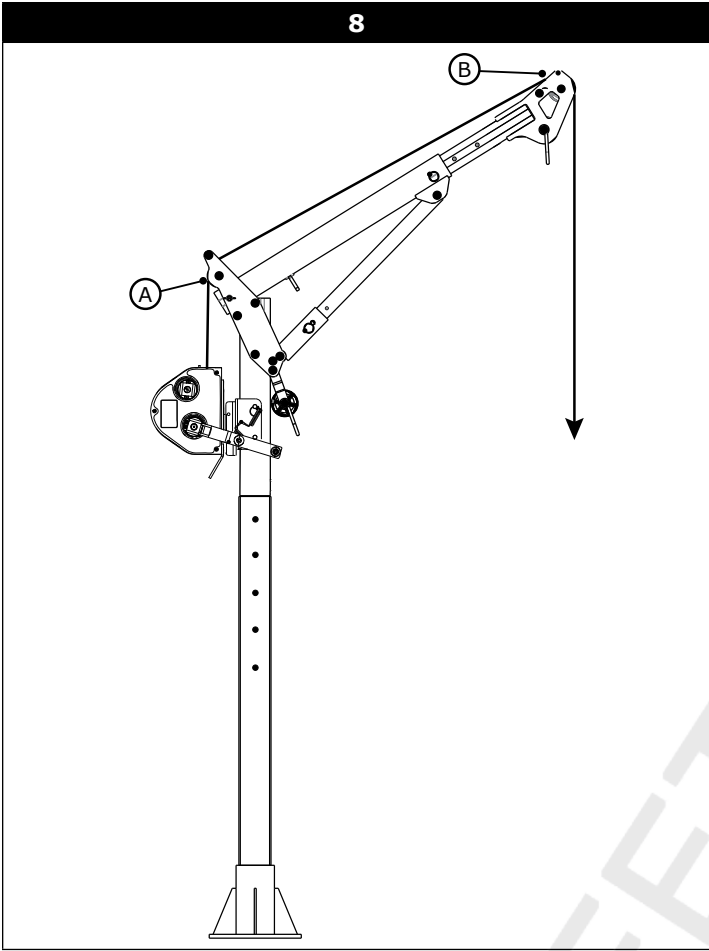
		Y	
B	8000112	53.3 cm (21 in)	8.4 kg (18.5 lb)
	8000113	83.8 cm (33 in)	10.9 kg (23.9 lb)
	8000114	114.3 cm (45 in)	13.5 kg (29.3 lb)
	8000115	144.8 cm (57 in)	15.7 kg (34.6 lb)



		X	
A	8000107	36 - 71 cm (14 - 28 in)	16.5 kg (36.3 lb)
	8000108	69 - 112 cm (27 - 44 in)	19.2 kg (42.2 lb)

C	8000109		
D	8000110		
E	8000111		
F	8000117		







3

MAX 2

≤ 140 kg (310 lbs.) ≤ 140 kg (310 lbs.)

36cm-71cm [14"-28"]

≤ 6 kN (1350 lbs.)

9514433 REV B

4

MAX 2

≤ 140 kg (310 lbs.) ≤ 140 kg (310 lbs.)

69cm-112cm [27"-44"]

≤ 6 kN (1350 lbs.)

9514434 REV B

5

3M DBI SALA

Mfd. (yr, mo) Model No.:
Fabr. (aa, mm) N° de Modelo:

3M.com/FallProtection
Red Wing, MN 55066, USA

Serial no / N° de serie: 9514429 Rev B

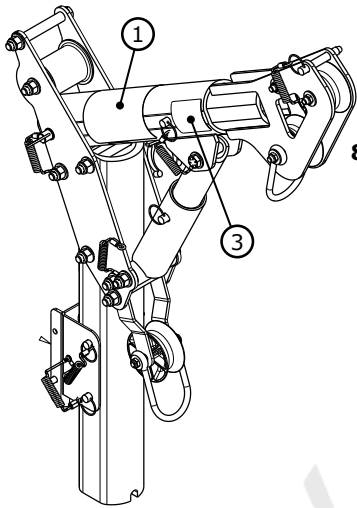
6

1x

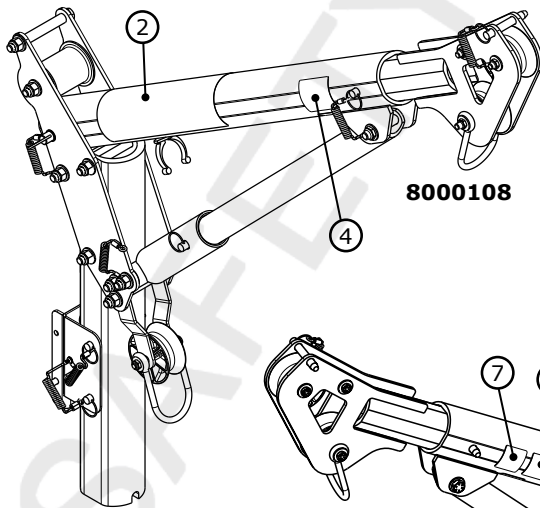
≤ 145 cm [57"]

≤ 6 kN (1350 lbs.)

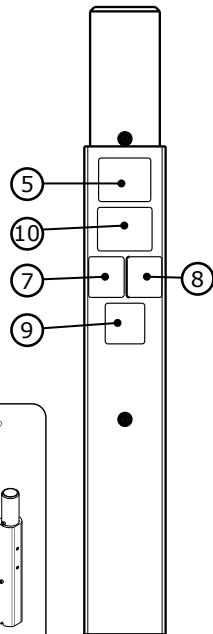
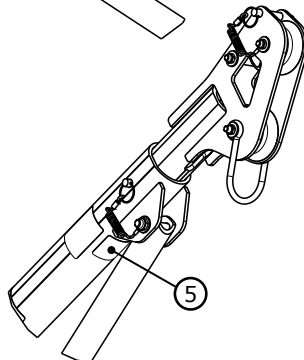
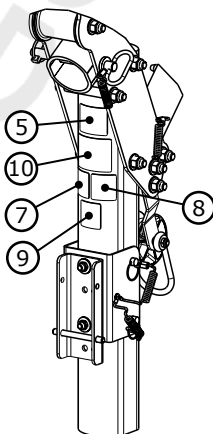
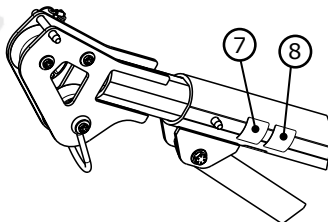
9514432 REV B



8000107



8000108



10

3M DBI SALA

L

8000112 - 53 cm (21")

8000113 - 84 cm (33")

8000114 - 114 cm (45")

8000115 - 145 cm (57")

9514439 REV. B

3M DBI SALA

CE 0086

EN795:2012 "TYPE B"

CEN/TS 16415:2013 "TYPE B"

9514304 Rev. B

3M DBI SALA

EN1496:2006

"CLASS B"

9514607 Rev. A

3M DBI SALA

PRODUCT CERTIFICATION

BSI Certified Product BMP No. 678539

AS/NZS 5532:2013

AUSTRALIAN / NEW ZEALAND STANDARD

9514450 Rev. B

SELBY ENGINEERING AND LIFTING SAFETY LTD. TEL: +44 (0) 1977 684 600

SAFETY INFORMATION

Please read, understand, and follow all safety information contained in these instructions prior to the use of this Confined Space Entry/Rescue Device. FAILURE TO DO SO COULD RESULT IN SERIOUS INJURY OR DEATH.

These instructions must be provided to the user of this equipment. Retain these instructions for future reference.

Intended Use:

This Confined Space Entry/Rescue Device is intended for use as part of a complete personal fall protection or rescue system.

Use in any other application including, but not limited to, non-approved material handling applications, recreational or sports related activities, or other activities not described in the User Instructions or Installation Instructions is not approved by 3M and could result in serious injury or death.

This device is only to be used by trained users in workplace applications.

WARNING

This Confined Space Entry/Rescue Device is part of a personal fall protection or rescue system. It is expected that all users be fully trained in the safe installation and operation of the complete system. **Misuse of this device could result in serious injury or death.** For proper selection, operation, installation, maintenance, and service, refer to all Product Instructions and all manufacturer recommendations, see your supervisor, or contact 3M Technical Service.

- **To reduce the risks associated with working with a Confined Space Entry/Rescue Device which, if not avoided, could result in serious injury or death:**
 - Inspect the device before each use, at least annually, and after any fall event. Inspect in accordance with the User Instructions.
 - If inspection reveals an unsafe or defective condition, remove the device from service and repair or replace according to the User Instructions.
 - Any device that has been subject to fall arrest or impact force must be immediately removed from service. Refer to the User Instructions or contact 3M Fall Protection.
 - The device must only be installed in the manner detailed in the Installation Instructions or User Instructions. Installations and use outside the scope of the instruction must be approved in writing by 3M Fall Protection.
 - The substrate or structure to which the device is attached must be able to sustain the static loads specified for the device in the orientations permitted in the User Instructions or Installation Instructions.
 - Do not exceed the number of allowable users.
 - Never work below a suspended load or worker.
 - Use caution when installing, using, and moving the device as moving parts may create potential pinch points. Refer to the User Instructions.
 - Ensure proper lockout/tagout procedures have been followed as applicable.
 - Never attach to a system until it is positioned, fully assembled, adjusted, and installed. Do not adjust the system while a user is attached.
 - Only connect fall protection subsystems to the designated anchorage connection point on the device.
 - Prior to drilling or fastening, ensure no electric lines, gas lines, or other critical embedded systems will be contacted by the drill or the device.
 - Ensure that fall protection systems/subsystems assembled from components made by different manufacturers are compatible and meet the requirements of applicable standards, including the ANSI Z359 or other applicable fall protection codes, standards, or requirements. Always consult a Competent or Qualified Person before using these systems.
 - (TRIPODS) Ensure the lifeline does not extend outside the legs of the tripod.
 - (TRIPODS) Never use the tripod without the leg chains secured in place, or as directed in the User Instructions provided with the tripod.
- **To reduce the risks associated with working at height which, if not avoided, could result in serious injury or death:**
 - Ensure your health and physical condition allow you to safely withstand all of the forces associated with working at height. Consult with your doctor if you have any questions regarding your ability to use this equipment.
 - Never exceed allowable capacity of your fall protection equipment.
 - Never exceed maximum free fall distance of your fall protection equipment.
 - Do not use any fall protection equipment that fails pre-use or other scheduled inspections, or if you have concerns about the use or suitability of the equipment for your application. Contact 3M Technical Services with any questions.
 - Some subsystem and component combinations may interfere with the operation of this equipment. Only use compatible connections. Consult 3M prior to using this equipment in combination with components or subsystems other than those described in the User Instructions.
 - Use extra precautions when working around moving machinery (e.g. top drive of oil rigs) electrical hazards, extreme temperatures, chemical hazards, explosive or toxic gases, sharp edges, or below overhead materials that could fall onto you or the fall protection equipment.
 - Use Arc Flash or Hot Works devices when working in high heat environments.
 - Avoid surfaces and objects that can damage the user or equipment.
 - Ensure there is adequate fall clearance when working at height.
 - Never modify or alter your fall protection equipment. Only 3M or parties authorized in writing by 3M may make repairs to the equipment.
 - Prior to use of fall protection equipment, ensure a rescue plan is in place which allows for prompt rescue if a fall incident occurs.
 - If a fall incident occurs, immediately seek medical attention for the worker who has fallen.
 - Do not use a body belt for fall arrest applications. Use only a Full Body Harness.
 - Minimize swing falls by working as directly below the anchorage point as possible.
 - If training with this device, a secondary fall protection system must be utilized in a manner that does not expose the trainee to an unintended fall hazard.
 - Always wear appropriate personal protective equipment when installing, using, or inspecting the device/system.

Prior to installation and use of this equipment, record the product identification information from the ID label in the Inspection and Maintenance Log (2) at the back of this manual.

PRODUCT DESCRIPTION:

Figure 1 illustrates the 3M™ Confined Space High Capacity (HC) Davit Assembly. The Confined Space HC Davit Assembly is used to raise or lower a worker to a work space and provide a fall arrest or rescue anchorage point. This instruction applies to the following Confined Space HC Davit Assembly components:

- (A) Short reach HC davit part number 8000107, long reach HC davit part number 8000108.
- (B) Four available mast extension lengths.
- (C) Universal assembly part number 8000109.
- (D) Short reach offset arm part number 8000110, (e) long reach offset arm part number 8000111.
- (F) Winch bracket part number 8000117 (included with universal assembly for rear mounted winch or SRL; additional winch bracket 8000117 required for front mounted winch or SRL).

The Confined Space HC Davit Assembly mast is installed into an appropriate 3M base, available separately. See Table 1 - Specifications.

Base installation must be approved to local regulations by a qualified engineer. Refer to the base installation instructions. Confined Space HC Davit Assembly mast extensions cannot be stacked. A maximum of one mast extension may be used per davit base.

Table 1 – Specifications

System Specifications:			
Capacity:	Fall Arrest: EN795:2012 and CEN/TS 16415:2013 rated for one or two users.		
	Rescue: EN1496:2006 rated for one user with a maximum combined weight of 140 kg (310 lbs), including tools and equipment, on line during operation.		
	Material Handling: 205 kg (450 lbs) when used on any 3M HC portable base (3-piece, truck hitch or counterweight cart), and a 340 kg (750 lbs) capacity when used on any 3M HC permanent base (floor mount, wall mount, deck mount, or core mounts). See Material Handling Capacity specifications below:		
	Material Handling Capacity (kg, lbs)	3M Base Description	3M Base Part Number
	205 kg (450 lbs)	Short reach 3-piece base	8000104
	205 kg (450 lbs)	Long reach 3-piece base	8000105
	205 kg (450 lbs)	Truck hitch base	8000103
	205 kg (450 lbs)	Counterweight cart base	8000106
	340 kg (750 lbs)	Floor mount base	8000095 – Galvanized 8000096 - Stainless
	340 kg (750 lbs)	Wall mount base	8000101 – Galvanized 8000102 - Stainless
340 kg (750 lbs)	Deck mount base	8000099 – Galvanized 8000100 - Stainless	
340 kg (750 lbs)	Core mount base	8000089 – Galvanized 8000090 - Stainless	
340 kg (750 lbs)	Core mount w/ top plate base	8000091 – Galvanized 8000092 - Stainless	
Dimensions:	See Figure 1 for the dimensions of Confined Space HC Davit Assembly components.		
Product Weight:	See Figure 1 for the weight of Confined Space HC Davit Assembly components.		
Certification:	HC davit arms and HC mast extensions certifications when used with portable or permanent HC bases		
	Portable Bases	EN795:2012 CEN/TS16415:2013	EN1496:2006
	3-Piece base (8000104, 8000105)	Certified (Type B)	Meets (Class B)
	Truck hitch base (8000103)	Certified (Type B)	Meets (Class B)
	Counterweight cart base (8000106)	Certified (Type B)	Meets (Class B)
	Permanent Bases		
	Floor mount base (8000095, 8000096)	Meets (Type A)	Meets (Class B)
	Wall mount base (8000101, 8000102)	Meets (Type A)	Meets (Class B)
	Deck mount base (8000099, 8000100)	Meets (Type A)	Meets (Class B)
	Core mount base (8000089, 8000090)	Meets (Type A)	Meets (Class B)
Core mount w/ top plate base (8000091, 8000092)	Meets (Type A)	Meets (Class B)	

Table 1 – Specifications

Material specifications of Confined Space HC Davit Assembly components in Figure 2.		
Figure 2 Reference	Component	Materials
(A)	Davit arm	Aluminum 6061-T6
(B)	Detent pin	Zinc-plated steel
(C)	Rear davit pulley	Black Acetal
(D)	Davit arm pulley (2)	Delrin
(E)	Lower davit arm pulley	Delrin
(F)	U-bracket (2)	Stainless steel
(G)	Davit mast extension	Aluminum 6061 and zinc-plated steel
(H)	Winch bracket	Zinc-plated steel

1.0 PRODUCT APPLICATION

- 1.1 PURPOSE:** The Confined Space HC Davit Assembly is used to raise or lower a worker to a work space and provides a fall arrest or rescue anchorage point.
- 1.2 STANDARDS:** This Confined Space HC Davit Assembly conforms to the national or regional standard(s) identified on the front cover and Table 1 of these instructions. If this product is resold outside the original country of destination, the reseller must provide these instructions in the language of the country in which the product will be used.
- 1.3 INSTALLATION & SUPERVISION:** Installation of the Confined Space HC Davit Assembly must be supervised by a Competent Person¹. A Qualified Person² must verify that the structural installation meets local and federal regulations. A Qualified Person must recommend the appropriate fasteners and proper Confined Space HC Davit Assembly placement. Use of the davit and attached fall protection equipment must be supervised by a Competent Person.
- 1.4 TRAINING:** This equipment must be installed and used by persons trained in its correct application. This manual may be used as part of an employee training program and/or regional regulations. It is the responsibility of the users and installers of this equipment to ensure they are familiar with these instructions, trained in the correct care and use of this equipment, and are aware of the operating characteristics, application limitations, and consequences of improper use of this equipment.
- 1.5 RESCUE PLAN:** when using the davit and connected fall protection equipment, the employer must have a rescue plan and means at hand to implement and communicate that plan to users. A trained on-site rescue team is recommended. Team members should be provided with the equipment and techniques to perform a successful rescue. Training should be provided on a periodic basis to ensure rescue proficiency.
- 1.6 INSPECTION FREQUENCY:** The Confined Space HC Davit Assembly shall be inspected by the User before each use and, additionally, by a Competent Person other than the user at intervals of no longer than one year.³ Inspection procedures are described in the "Inspection and Maintenance Log". Results of each Competent Person inspection should be recorded on copies of the "Inspection and Maintenance Log".

2.0 SYSTEM REQUIREMENTS

- 2.1 COMPONENT COMPATIBILITY:** 3M equipment is designed for use with other 3M approved components and subsystems only. Substitutions or replacements made with non-approved components or subsystems may jeopardize compatibility of equipment and may affect the safety and reliability of the complete system.
- 2.2 PERSONAL FALL ARREST SYSTEM:** personal fall arrest systems (PFAS) used with the system must meet applicable fall protection standards, codes, and requirements. The PFAS must incorporate a full body harness and limit arresting force to the following values:

	Maximum Arresting Force	Free Fall
PFAS with Shock Absorbing Lanyard	6 kN (1,350 lb)	Refer to the instruction(s) included with your Lanyard or SRD for Free Fall limitations.
PFAS with Self Retracting Device (SRD)	6 kN (1,350 lb)	

1 Competent Person: One who is capable of identifying existing and predictable hazards in the surroundings or working conditions which are unsanitary, hazardous, or dangerous to employees, and who has authorization to take prompt corrective measures to eliminate them.

2 Qualified Person: An individual with a recognized degree or professional certificate, and extensive experience in Fall Protection. This individual must be capable of design, analysis, evaluation, and specification of Fall Protection.

3 Inspection Frequency: Extreme working conditions (harsh environments, prolonged use, etc.) may require increasing the frequency of competent person inspections.

3.0 INSTALLATION

- 3.1 PLANNING:** Plan your fall protection system prior to use and installation of the Confined Space HC Davit Assembly. Account for all factors that may affect your safety before, during and after a fall.

- Plan your work program before starting. Have the required people, equipment and procedures available to do the job.
- Always work in teams. One person being raised or lowered and another person to pay out and reel in the line.
- Wear appropriate protective gear such as a hard hat, safety glasses, protective shoes with slip resistant soles, heavy gloves, protective clothing and a face mask.
- Confined Space HC Davit Assembly mast extensions cannot be stacked. A maximum of one mast extension may be used per davit base.
- All winch and SRL mounting parts and hardware must be supplied or approved by 3M Fall Protection.
- Securely anchor the winch before using.
- System users must use an approved full body harness.
- Use only retractable devices or energy absorbers with a maximum arrest force equal to or lower than the lowest rated component of your system.
- Retractable devices or energy absorbers must be installed and used in accordance with the manufacturer's instructions.
- Modular components are labeled with the capacities and rating to which they were designed, tested, and manufactured. The rating of any system is considered to be the rating of the lowest rated component in the system. Do not use equipment if rating labels are damaged or illegible. New labels are available from 3M Fall Protection.
- The Confined Space HC Davit Assembly should be removed from the job site when no longer needed.

3.2 INSTALL THE CONFINED SPACE HC DAVIT ASSEMBLY:

1. (Figure 3) Insert the Confined Space HC Davit Assembly mast extension into an installed 3M HC davit base. (See Table 1 for 3M Base descriptions.) Follow davit base installation instructions for securing the davit base to the anchorage structure.
2. Attach the davit head assembly to the universal assembly:
 - a. (Figure 4a) insert the davit head gusset tube (A) into the universal assembly gusset weldment (B). Use detent pin (C) to secure the gusset tube in the gusset weldment.
 - b. (Figure 4b) Use the hitch pin (D) to attach the davit head arm tube between the side plates (E) of the universal assembly. Secure the hitch pin with the lynch pin that is connected to the opposite side of the universal assembly.
3. (Figure 5) Place the assembled davit arm/universal on the mast extension. The bottom edge of the davit arm tube must contact the ridge of the mast extension. Center the notch at the bottom of the davit arm tube on the screw located on the ridge of the mast extension.
4. (Figure 6) The davit arm extension length can be adjusted to one of four positions. Remove detent pin (A) and slide the davit arm extension out or in to reach the desired length. The davit arm must be secured at that extension position with the detent pin (A). Fully insert the detent pin.
5. (Figure 7) The davit arm angle can be adjusted to one of three positions. Remove detent pin (C) and slide the gusset tube (A) in or out of the gusset weldment (B). The gusset tube must be secured with the detent pin (C). Fully insert the detent pin.
6. (Figure 8) Install the winch according to the manufacturer's instructions. The winch is mounted with the winch bracket that is included with the universal assembly. The winch cable is typically routed over the rear pulley (A) on the universal assembly and the top front pulley (B) on the Davit Arm. An alternate and/or additional front mounted configuration is possible. See Section 3.3.

3.3 WINCH BRACKET 8000117:

1. (Figure 9) A front mounted winch or SRL can be added to the Confined Space HC Davit Assembly mast extension by installing a second winch bracket 8000117 (purchased separately). Secure the winch bracket (A) to the mast extension with the two winch bracket detent pins (B). The winch or SRL cable uses the front pulley (C) on the universal assembly and the bottom front pulley (D) on the davit arm.

3.4 U-BRACKET ATTACHMENT POINTS:

(Figure 10) The two U-bracket attachment points (A and B) can be used for fall arrest, rescue, or material handling. When using U-bracket attachment point A, do not exceed horizontal distance 38 cm (15 in) from the davit base.

4.0 USE

- 4.1 BEFORE EACH USE:** Verify that your work area and Personal Fall Arrest System (PFAS) meet all criteria defined in Section 2 and a formal rescue plan is in place. Inspect the Confined Space HC Davit Assembly per the 'User' inspection points defined on the "Inspection and Maintenance Log" in this manual. If inspection reveals an unsafe or defective condition, do not use the system. Remove the system from service and destroy, or contact 3M regarding replacement or repair.

5.0 INSPECTION

- 5.1 INSPECTION FREQUENCY:** The Confined Space HC Davit Assembly must be inspected at the intervals defined in Section 1. Inspection procedures are described in the 'Inspection and Maintenance Log.' Inspect all other components of the fall protection system per the frequencies and procedures defined in the manufacturer's instructions.

5.2 DEFECTS: If inspection reveals an unsafe or defective condition, remove the Confined Space HC Davit Assembly from service immediately and contact 3M regarding replacement or repair. Do not attempt to repair the Fall Arrest System.

Authorized Repairs Only: Only 3M or parties authorized in writing may make repairs to this equipment.

5.3 PRODUCT LIFE: The functional life of the Confined Space HC Davit Assembly is determined by work conditions and maintenance. As long as the product passes inspection criteria, it may remain in service.

6.0 MAINTENANCE, SERVICING, STORAGE

6.1 CLEANING: Periodically clean the Confined Space HC Davit Assembly's metal components with a soft brush, warm water, and a mild soap solution. Ensure parts are thoroughly rinsed with clean water.

6.2 SERVICE: Only 3M or parties authorized in writing by 3M may make repairs to this equipment. If the Confined Space HC Davit Assembly has been subject to fall force or inspection reveals an unsafe or defective conditions, remove the system from service and contact 3M regarding replacement or repair.

6.3 STORAGE AND TRANSPORT: When not in use, store and transport the Confined Space HC Davit Assembly and associated fall protection equipment in a cool, dry, clean environment out of direct sunlight. Avoid areas where chemical vapors may exist. Thoroughly inspect components after extended storage.

7.0 LABELS

Figure 11 illustrates labels on the Confined Space HC Davit Assembly. Labels must be replaced if they are not fully legible.

BEZPEČNOSTNÍ INFORMACE

Před použitím tohoto zařízení pro vstup do omezeného prostoru/záchranu z omezeného prostoru si prosím přečtěte, pochopte a dodržujte veškeré bezpečnostní informace obsažené v této příručce. V OPAČNÉM PŘÍPADĚ MŮŽE DOJÍT K VÁŽNÉMU ÚRAZU ČI ÚMRTÍ.

Tyto pokyny musejí být předány uživateli tohoto zařízení. Nechte si tyto instrukce pro budoucí nahlédnutí.

Zamýšlené použití:

Toto zařízení pro vstup do omezeného prostoru/záchranu z omezeného prostoru je určeno pro použití jako součást kompletního systému pro ochranu osob proti pádu nebo vytahovacího systému.

Jiné použití, mimo jiné včetně manipulace s neschváleným materiálem, rekreačních činností nebo činností souvisejících se sportem nebo jiných činností, které nejsou popsány v uživatelské příručce nebo pokynech pro instalaci, není schváleno společností 3M a může mít za následek vážný úraz či úmrtí.

Toto zařízení mohou používat pouze vyškolení uživatelé na pracovišti.

VAROVÁNÍ

Toto zařízení pro vstup do omezeného prostoru/záchranu z omezeného prostoru je součástí systému pro ochranu osob proti pádu nebo vytahovacího systému. Očekává se, že všichni uživatelé budou řádně zaškoleni ohledně bezpečné instalace a provozu celého systému. **Nesprávné použití tohoto zařízení může mít za následek vážný úraz či úmrtí.** Pro správný výběr, provoz, instalaci, údržbu a servis nahlédněte do všech uživatelských příruček a všech doporučení výrobce, obraťte se na svého nadřízeného nebo kontaktujte technický servis 3M.

- **Ke snížení rizik spojených s prací se zařízením pro vstup do omezeného prostoru/záchranu z omezeného prostoru, která mohou mít, pokud jim nezabráníte, za následek vážný úraz či úmrtí, dodržujte tato opatření:**
 - Všechny součásti záchranného prostředku zkontrolujte před každým použitím (alespoň jednou ročně) a po každém pádu. Při kontrole postupujte podle uživatelské příručky.
 - Pokud kontrola odhalí nebezpečný nebo závadný stav, vyřadte zařízení z činnosti a opravte nebo vyměňte podle pokynů v uživatelské příručce.
 - Pokud bylo zařízení vystaveno záchytné síle nebo síle způsobené pádem, musí být okamžitě vyřazeno z provozu. Seznamte se s pokyny pro uživatele, případně se obraťte na společnost 3M Fall Protection.
 - Zařízení je třeba instalovat výhradně způsobem popsaným v pokynech pro instalaci nebo v pokynech pro uživatele. Instalaci a používání mimo rozsah pokynů musí písemně schválit 3M Fall Protection.
 - Podklad nebo konstrukce, k nimž se zařízení připojuje, musí být schopné odolat statickému zatížení specifikovanému pro zařízení ve směrech povolených v pokynech pro uživatele nebo pokynech k instalaci.
 - Dodržujte maximální počet povolených uživatelů.
 - Nikdy nepracujte pod zavěšenou zátěží nebo pracovníky.
 - Při instalaci, používání a přesouvání zařízení postupujte opatrně, neboť pohyblivé součásti mohou představovat potenciální místa usklípnutí. Seznamte se s pokyny pro uživatele.
 - Dbejte na dodržování správných postupů uzamykání/připevňování.
 - Nikdy se nepřipojujte k systému, dokud není na místě, kompletně sestaven, upraven a nainstalován. Neupravujte systém, je-li k němu připojený uživatel.
 - Subsystémy pro ochranu proti pádu připojujte pouze k vyhrazenému bodu ukotvení na zařízení.
 - Před vrtáním nebo připevňováním se ujistěte, že se vrtačka ani zařízení nemohou dostat do kontaktu s elektrickým vedením, plynovým potrubím nebo jinými důležitými vestavěnými systémy.
 - Zajistěte, aby systémy/subsystémy proti pádu sestavené ze součástí vyrobených různými výrobci, byly kompatibilní a splňovaly požadavky platných norem, včetně ANSI Z359 nebo jiných platných předpisů, norem nebo požadavků na ochranu proti pádu. Před použitím těchto systémů se vždy poraďte s kompetentní nebo oprávněnou osobou.
 - (JEŘÁB S OCHRANNOU KLEČÍ) Základnu jeřábu lze používat pouze s pokročilým jeřábem 8548276. Se základnou jeřábu nelze používat žádný jiný jeřáb.
 - (KOŠ VYSOKOZDVIŽNÉHO VOZÍKU) Nepoužívejte koš, dokud není kompletně nainstalován a připevněn k vozíku v souladu s pokyny výrobce koše a vysokozdvížného vozíku.
 - (STOJANY) Dbejte na to, aby záchytné lano nezasahovalo mimo nohy stojanu.
 - (STOJANY) Nikdy nepoužívejte stojan, aniž by byly řetězy na nohách zajištěny na místě nebo v souladu s uživatelskou příručkou dodávanou se stojanem.
- **Pro snížení rizik spojených s prací ve výškách, která mohou mít, pokud jim nezabráníte, za následek vážný úraz či úmrtí:**
 - Ujistěte se, že vám váš zdravotní stav a fyzická kondice umožňují bezpečně vydržet veškerou námahu spojenou s prací ve výškách. Pokud máte nějaké dotazy týkající se vaší schopnosti používat toto zařízení, poraďte se se svým lékařem.
 - Nikdy nepřekračujte přípustnou kapacitu vašeho záchytného zařízení.
 - Nikdy nepřekračujte maximální délku volného pádu vašeho záchytného zařízení.
 - Nepoužívejte záchytná zařízení, která neprojdou kontrolou před použitím nebo jinou naplánovanou kontrolou, nebo pokud máte obavy ohledně vhodnosti zařízení pro vaše použití. S případnými dotazy kontaktujte technický servis 3M.
 - Některé kombinace subsystémů a součástí mohou narušovat provoz tohoto zařízení. Používejte pouze kompatibilní připojení. Pokud chcete toto vybavení používat v kombinaci s jinými součástmi nebo subsystémy, než které jsou popsány v této příručce, obraťte se na společnost 3M.
 - Buďte zvláště opatrní při práci u pohybujících se strojů (např. horní pohon vrtných plošin), v prostředí s nebezpečím úrazu elektrickým proudem, s extrémními teplotami, chemickým nebezpečím, výbušnými nebo toxickými plyny, ostrými hranami nebo pod stropními materiály, které by mohly spadnout na vás nebo vaše záchytné zařízení.
 - Při práci v prostředí s vysokými teplotami použijte zařízení proti obloukovému výboji a pro práci za tepla.
 - Vyhněte se povrchům a předmětům, které mohou poranit uživatele nebo poškodit zařízení.
 - Při práci ve výškách zajistěte dostatečnou délku pádu.
 - Nikdy své záchytné zařízení neupravujte ani neměňte. Opravy tohoto zařízení může provádět pouze společnost 3M nebo třetí strany s písemným oprávněním společnosti 3M.
 - Před použitím záchytného zařízení se ujistěte, že je zaveden záchranný plán, který umožňuje rychlou záchranu, pokud dojde k pádu.
 - Pokud dojde k pádu, okamžitě vylédejte pracovníkovi, který spadl, lékařskou pomoc.
 - Pro jištění proti pádu nepoužívejte pás na tělo. Používejte pouze celotělový postroj.
 - Minimalizujte riziko výkyvu při pádu tím, že budete pracovat co nejbližší kotevnímu bodu.
 - Při školení ohledně tohoto zařízení musí být použit sekundární systém zajištění proti pádu, a to takovým způsobem, který školeného pracovníka nevystaví nežádoucímu nebezpečí pádu.
 - Při instalaci, používání nebo kontrole zařízení/systému vždy noste vhodné osobní ochranné pomůcky.

Před instalací a použitím tohoto vybavení si zapište výrobní identifikační údaje z identifikačního štítku do Deníku kontrol a údržby (2) na zadní straně tohoto návodu.

POPIS VÝROBKU:

Obr. 1 ukazuje 3M™ sestavu vysokokapacitního zdvihacího systému pro omezené prostory. Sestava vysokokapacitního zdvihacího systému pro omezené prostory slouží k spuštění a vyzdvižení pracovníka z pracoviště. Zajišťuje jištění proti pádu a kotevní bod pro záchranu. Tyto pokyny se vztahují na následující součásti sestavy vysokokapacitního zdvihacího systému pro omezené prostory:

- (A) vysokokapacitní zdvihací systém s krátkým vyložením č. dílu 8000107, vysokokapacitní zdvihací systém s dlouhým vyložením č. dílu 8000108,
- (B) nástavec sloupku ve čtyřech dostupných rozměrech,
- (C) díl univerzální sestavy, č. dílu 8000109,
- (D) rameno s krátkým vyložením č. dílu 8000110, (E) rameno s dlouhým vyložením č. dílu 8000111,
- (F) konzola navijáku č. dílu 8000117 (včetně univerzální sestavy pro konzolu s montáží zezadu nebo samonavíjecí záchranné zařízení; pro konzolu nebo samonavíjecí záchranné zařízení s montáží zepředu je potřeba dodatečná konzola navijáku 8000117).

Sloupek sestavy vysokokapacitního zdvihacího systému pro omezené prostory je třeba nasadit do vhodné základny 3M (dodává se samostatně). Specifikace naleznete v tabulce 1.

Instalace základny musí být schválena kvalifikovaným technikem podle místních norem. Seznamte se s pokyny pro instalaci základny. Nástavce sloupku sestavy vysokokapacitního zdvihacího systému pro omezené prostory nelze zapojovat na sebe. Ke každé základně zdvihacího systému lze připojit maximálně jeden nástavec sloupku.

Tabulka 1 – Specifikace

Technické údaje systému:			
Nosnost:	<p>Jištění proti pádu: Dimenzované podle norem EN795:2012 a CEN/TS 16415:2013 na jednoho nebo dva uživatele. Záchrana: Dimenzované podle normy EN1496:2006 na jednoho uživatele s maximální hmotností 140 kg (310 liber) včetně nářadí a vybavení na laně za provozu. Nosnost materiálu: 205 kg (450 liber) při použití s libovolnou vysokokapacitní přenosnou základnou 3M (trojdílná, připojená za nákladní vozidlo nebo vozík s protizávažím) a 340 kg (750 liber) při použití s libovolnou pevnou vysokokapacitní základnou 3M (s montáží k podlaze, ke zdi, plošině nebo otvoru). Níže naleznete technické parametry nosnosti materiálu:</p>		
	Nosnost materiálu (kg, libry)	Popis základny 3M	Číslo dílu základny 3M
	205 kg (450 liber)	Trojdílná základna s krátkým vyložením	8000104
	205 kg (450 liber)	Trojdílná základna s dlouhým vyložením	8000105
	205 kg (450 liber)	Základna pro připojení za nákladní vozidlo	8000103
	205 kg (450 liber)	Základna pro připojení za vozík s protizávažím	8000106
	340 kg (750 liber)	Základna pro připevnění k podlaze	8000095 – pozinkovaná 8000096 – nerezová ocel
	340 kg (750 liber)	Základna pro připevnění ke zdi	8000101 – pozinkovaná 8000102 – nerezová ocel
	340 kg (750 liber)	Základna pro připevnění k plošině	8000099 – pozinkovaná 8000100 – nerezová ocel
	340 kg (750 liber)	Základna s montáží do otvoru	8000089 – pozinkovaná 8000090 – nerezová ocel
	340 kg (750 liber)	Základna s montáží do otvoru s horní deskou	8000091 – pozinkovaná 8000092 – nerezová ocel
Rozměry:	Rozměry dílů sestavy vysokokapacitního zdvihacího systému pro omezené prostory naleznete na obr. 1.		
Hmotnost produktu:	Hmotnost dílů sestavy vysokokapacitního zdvihacího systému pro omezené prostory naleznete na obr. 1.		
Certifikace:	Certifikace pro vysokokapacitní jeřábová ramena nebo nástavce sloupku při použití s přenosnými nebo pevnými vysokokapacitními základnami		
	Přenosné základny	EN795:2012 CEN/TS16415:2013	EN1496:2006
	Trojdílná základna (8000104, 8000105)	Certifikována (typ B)	Splňuje (třída B)
	Základna pro připojení za nákladní vozidlo (8000103)	Certifikována (typ B)	Splňuje (třída B)
	Základna pro připojení za vozík s protizávažím (8000106)	Certifikována (typ B)	Splňuje (třída B)
	Pevné základny		
	Základna pro připevnění k podlaze (8000095, 8000096)	Splňuje (typ A)	Splňuje (třída B)
	Základna pro připevnění ke zdi (8000101, 8000102)	Splňuje (typ A)	Splňuje (třída B)
	Základna pro připevnění k plošině (8000099, 8000100)	Splňuje (typ A)	Splňuje (třída B)
	Základna s montáží do otvoru (8000089, 8000090)	Splňuje (typ A)	Splňuje (třída B)
	Základna s montáží do otvoru s horní deskou (8000091, 8000092)	Splňuje (typ A)	Splňuje (třída B)

Tabulka 1 – Specifikace

Specifikace materiálů součástí sestavy vysokokapacitního zdvihacího systému pro omezené prostory z obr. 2.		
Reference k obrázku 2	Součást	Materiály
Ⓐ	Jeřábové rameno	Hliník 6061-T6
Ⓑ	Aretační kolík	Pozinkovaná ocel
Ⓒ	Zadní kladka jeřábu	Černý acetal
Ⓓ	Kladka jeřábového ramena (2)	Delrin
Ⓔ	Spodní kladka jeřábového ramena	Delrin
Ⓕ	Konzola tvaru U (2)	Nerezová ocel
Ⓖ	Nástavec sloupku jeřábu	Hliník 6061 a pozinkovaná ocel
Ⓥ	Konzola navijáku	Pozinkovaná ocel

1.0 POUŽITÍ VÝROBKU

- 1.1 ÚČEL:** Sestava vysokokapacitního zdvihacího systému pro omezené prostory slouží k spuštění a vyzdvižení pracovníka z pracoviště. Zajišťuje jištění proti pádu a kotevní bod pro záchranu.
- 1.2 NORMY:** Sestava vysokokapacitního zdvihacího systému pro omezené prostory vyhovuje národním a regionálním normám uvedeným na přední straně obálky této příručky a v tabulce 1. Pokud bude tento produkt prodáván mimo původní cílovou zemi, pak prodejce musí tuto příručku poskytnout v jazykové verzi země, ve které se bude produkt používat.
- 1.3 INSTALACE A DOHLED:** Na instalaci sestavy vysokokapacitního zdvihacího systému pro omezené prostory musí dohlížet kompetentní osoba¹. Oprávněná osoba² musí ověřit, zda strukturální instalace splňuje místní a federální předpisy. Oprávněná osoba musí doporučit vhodný upevňovací materiál a řádné umístění základny zdvihacího systému. Na používání zdvihacího systému a připevněného vybavení na ochranu proti pádu musí dohlížet kompetentní osoba.
- 1.4 ŠKOLENÍ:** Toto zařízení musí být instalováno a používáno osobami, které byly vyškoleny pro jeho správné používání. Tuto příručku lze použít jako součást školicího programu zaměstnanců a/nebo místních předpisů. Uživatelé a montážní technici jsou odpovědní za zajištění toho, že budou obeznámeni s těmito pokyny, vyškoleni ve správné údržbě a používání tohoto zařízení a budou znát provozní vlastnosti, omezení pro použití a následky nesprávného používání tohoto zařízení.
- 1.5 ZÁCHRANNÝ PLÁN:** Při používání tohoto zdvihacího systému a připojeného vybavení na ochranu proti pádu musí mít zaměstnavatel připraven záchraný plán a dostupné záchrané prostředky a tento plán sdělit uživatelům. Doporučuje se využít vyškoleného záchraného týmu na pracovišti. Členové týmu musí mít k dispozici vybavení a techniky k provedení úspěšné záchran. Aby byla zajištěna odbornost záchranářů, musí být školení prováděno v pravidelných intervalech.
- 1.6 ČETNOST KONTROL:** Sestava vysokokapacitního zdvihacího systému pro omezené prostory musí být uživatelem zkontrolována před každým použitím a kromě toho kompetentní osobou, již nesmí být jeho uživatel, v intervalech maximálně jednoho roku.³ Kontrolní postupy jsou popsány v části „Deník kontrol a údržby“. Výsledky všech kontrol prováděných kompetentní osobou musí být zaznamenávány na kopiích „Deníku kontrol a údržby“.

2.0 POŽADAVKY NA SYSTÉM

- 2.1 VLASTNOSTI SOUČÁSTÍ:** Vybavení 3M je určeno k používání výhradně se součástmi a subsystémy schválenými společností 3M. Záměny a náhrady za použití neschválených prvků a dílčích systémů mohou ohrozit kompatibilitu zařízení a případně též nepříznivě ovlivnit bezpečnost a spolehlivost celého systému.
- 2.2 SYSTÉM JIŠTĚNÍ PROTI PÁDU OSOB:** Systémy jištění proti pádu osob (PFAS) používané s tímto systémem musí splňovat platné normy, předpisy a požadavky na ochranu proti pádu. Systémy PFAS musí využívat celotělový postroj a musí omezovat záchytnou sílu na následující hodnoty:

	Maximální záchytná síla	Volný pád
PFAS s lanem absorbujícím náraz	6 kN (1 350 liber)	Omezení volného pádu najdete v pokynech přiložených k lanu nebo SRD.
PFAS se samonavíjecím záchytným zařízením (SRD)	6 kN (1 350 liber)	

3.0 INSTALACE

3.1 PLÁNOVÁNÍ: Systém ochrany proti pádu naplánujte ještě před použitím a instalací sestavy vysokokapacitního zdvihacího systému pro omezené prostory. Vezměte v úvahu veškeré faktory, které mohou ovlivnit vaši bezpečnost před pádem, v průběhu pádu a po pádu.

- Než začnete, naplánujte svůj pracovní program. Mějte k dispozici potřebné osoby, vybavení a postupy.
- Vždy pracujte v týmech. Jedna osoba je zvedána nebo spouštěna a druhá odvíjí a navíjí lano.
- Noste vhodné ochranné pomůcky, jako jsou: přilba, ochranné brýle, ochranná obuv s protiskluzovou podrážkou, silné rukavice, ochranný oděv a obličejová maska.
- Nástavce sloupku sestavy vysokokapacitního zdvihacího systému pro omezené prostory nelze zapojovat na sebe. Ke každé základně zdvihacího systému lze připojit maximálně jeden nástavec sloupku.
- Veškeré montážní díly a spojovací materiál navijáku a SRL musí být dodány nebo schváleny společností 3M Fall Protection.
- Před použitím naviják bezpečně ukotvěte.
- Uživatelé systému musí nosit schválený celotělový postroj.
- Používejte pouze navijecí zařízení nebo zařízení k pohlcování energie, jejichž zastavovací síla je nižší nebo rovna nejméně dimenzované součásti vašeho systému.
- Navijecí zařízení nebo zařízení k pohlcování energie musí být instalovány a používány v souladu s pokyny výrobce.
- Modulární komponenty jsou označeny možnostmi a mezními hodnotami, na které byly navrženy, testovány a vyrobeny. Za mezní hodnotu systému je považována mezní hodnota nejslabší součásti v systému. Zařízení nepoužívejte, pokud jsou štítky poškozené nebo nečitelné. Nové štítky můžete získat od společnosti 3M Fall Protection.
- Pokud již vysokokapacitní zdvihací systém pro omezené prostory není třeba, měl by být odstraněn z pracoviště.

3.2 INSTALACE VYSOKOKAPACITNÍHO ZDVIHACÍHO SYSTÉMU PRO OMEZENÉ PROSTORY:

1. (Obr. 3) Nasadte nástavec sloupku sestavy vysokokapacitního zdvihacího systému do upevněné základny vysokokapacitního zdvihacího systému 3M. (Popisy základen 3M naleznete v tabulce 1.) Základnu zdvihacího systému připevněte ke kotevní konstrukci dle návodu k instalaci základny zdvihacího systému.
2. Namontujte sestavu hlavy kotevního výložníku k univerzální sestavě:
 - a. (Obr. 4a) Vložte úhelníkovou trubku hlavy kotevního výložníku (A) do navařeného úhelníku univerzální sestavy (B). Úhelníkovou trubku v navařeném úhelníku zajistěte aretačním kolíkem (C).
 - b. (Obr. 4b) Úchytným kolíkem (D) zajistěte trubku hlavy kotevního výložníku mezi bočními pláty (E) univerzální sestavy. Úchytný kolík zabezpečte pojistným kolíkem připojeným k druhé straně univerzální sestavy.
3. (Obr. 5) Sestavené jeřábové rameno / univerzální sestavu nasadte na nástavec sloupku. Spodní hrana trubky jeřábového ramena musí dosednout na hranu nástavce sloupku. Výřez na spodní straně trubky jeřábového ramena vycentrujte na šroubek na hraně nástavce sloupku.
4. (Obr. 6) Délku vysunutí jeřábového ramena můžete nastavit do jedné ze čtyř poloh. Vyjměte aretační kolík (A) a vysunutím/zasunutím nástavce jeřábového ramena docílíte požadované délky. Ve vysunuté poloze musíte jeřábové rameno zajistit aretačním kolíkem (A). Zcela zasuňte aretační kolík.
5. (Obr. 7) Výběrem jedné ze tří poloh můžete nastavit úhel jeřábového ramena. Vysuňte aretační kolík (C) a úhelníkovou trubku (A) vysuňte nebo zasuňte do navařeného úhelníku (B). Úhelníkovou trubku je třeba zajistit aretačním kolíkem (C). Zcela zasuňte aretační kolík.
6. (Obr. 8) Naviják namontujte podle pokynů výrobce. Naviják se namontuje pomocí konzoly navijáku, která se dodává s univerzální sestavou. Kabel navijáku se obvykle vine přes zadní kladku (A) na univerzální sestavu a horní přední kladku (B) na jeřábové rameno. Lze rovněž použít alternativní/dodatečnou konfiguraci s přední montáží. Viz část 3.3.

3.3 KONZOLA NAVIJÁKU 8000117:

1. (Obr. 9) Na nástavec sloupku sestavy vysokokapacitního zvedacího systému pro omezené prostory lze přidat přední naviják nebo samonavijecí záchytné zařízení tak, že namontujete druhou konzolu navijáku 8000117 (prodává se samostatně). Dvěma aretačními kolíky konzoly navijáku (B) zajistěte konzolu navijáku (A) k nástavci sloupku. Kabel navijáku nebo samonavijecího záchytného zařízení vede přes přední kladku (C) na univerzální sestavu a přední spodní kladku (D) na jeřábové rameno.

3.4 KOTVICÍ BODY KONZOLY VE TVARU U:

(Obr. 10) Dva kotvicí body konzoly ve tvaru U (A a B) lze použít za účelem jištění proti pádu, záchrany nebo manipulace s materiálem. Při použití kotvicího bodu A konzole ve tvaru U nepřesahujte základnu jeřábu o 38 cm (15 palců).

4.0 POUŽITÍ

4.1 PŘED KAŽDÝM POUŽITÍM: Ověřte, zda vaše pracoviště a systém zachycení pádu osob (PFAS) splňují všechny podmínky stanovené v části 2 a zda existuje oficiální záchranný plán. Zkontrolujte sestavu vysokokapacitního zdvihacího systému pro omezené prostory podle kontrolních bodů pro uživatele, které jsou uvedeny v části „Deník kontrol a údržby“. Pokud při kontrole zjistíte ohrožení nebo závadu, systém nepoužívejte. Vyřadte systém z provozu a zlikvidujte nebo kontaktujte společnost 3M ohledně výměny nebo opravy.

5.0 KONTROLA

5.1 ČETNOST KONTROL: Sestava vysokokapacitního zdvihacího systému pro omezené prostory musí procházet kontrolami v intervalech stanovených v části 1. Kontrolní postupy jsou popsány v „Deníku kontrol a údržby“. Zkontrolujte všechny ostatní součásti systému proti pádu podle intervalů a postupů uvedených v pokynech výrobce.

- 5.2 VADY:** Pokud při kontrole zjistíte ohrožení nebo závadu, ihned vyřadte sestavu vysokokapacitního zdvihacího systému pro omezené prostory z provozu a kontaktujte společnost 3M ohledně výměny nebo opravy. Nepokoušejte se opravovat systém jištění proti pádu.

Pouze autorizovaní opravci: *Opravy tohoto vybavení smí provádět pouze společnost 3M nebo třetí strany s písemným oprávněním.*

- 5.3 ŽIVOTNOST VÝROBKU:** Funkční životnost sestavy vysokokapacitního zdvihacího systému pro omezené prostory závisí na pracovních podmínkách a údržbě. Výrobek může být v provozu tak dlouho, dokud vyhovuje kontrolním kritériím.

6.0 ÚDRŽBA, SERVIS A SKLADOVÁNÍ

- 6.1 ČIŠTĚNÍ:** Kovové součásti sestavy vysokokapacitního zdvihacího systému pro omezené prostory pravidelně čistěte měkkým kartáčem, teplou vodou a slabým mýdlovým roztokem. Součásti důkladně opláchněte čistou vodou.
- 6.2 SERVIS:** Opravy tohoto zařízení smí provádět pouze společnost 3M nebo třetí strany s písemným oprávněním společnosti 3M. Pokud byla sestava vysokokapacitního zdvihacího systému pro omezené prostory vystavena působení pádu nebo je při kontrole zjištěn nebezpečný nebo závadný stav, vyřadte systém z provozu a kontaktujte společnost 3M ohledně výměny nebo opravy.
- 6.3 SKLADOVÁNÍ A PŘEPRAVA:** Mimo používání skladujte a převázejte sestavu vysokokapacitního zdvihacího systému pro omezené prostory a související vybavení na ochranu proti pádu v chladném, suchém a čistém prostředí mimo dosah přímého slunečního světla. Vyvarujte se uložení v prostorách, kde se mohou vyskytovat chemické výpary. Po delším skladování součásti důkladně překontrolujte.

7.0 ŠTÍTKY

Obrázek 11 ukazuje štítky na sestavě vysokokapacitního zdvihacího systému pro omezené prostory. Pokud štítky nejsou zcela čitelné, je nutné je vyměnit.

Tabulka 2 – Deník kontrol a údržby

Datum kontroly:		Kontrolu provedl:	
Součásti:	Kontrola: (Pro Četnost kontrol viz kapitulu 5)	Uživatel	Kompetentní osoba
Sestava zdvihacího systému pro omezené prostory (obr. 1 a 2)	Zkontrolujte, zda na sestavě vysokokapacitního zdvihacího systému pro omezené prostory nejsou praskliny, promáčkliny nebo jiné deformace.	<input type="checkbox"/>	<input type="checkbox"/>
	Zkontrolujte známky koroze na celé jednotce.	<input type="checkbox"/>	<input type="checkbox"/>
	Ujistěte se, že jsou všechny upevňovací prvky řádně utažené. V případě potřeby proveďte jejich utažení.	<input type="checkbox"/>	<input type="checkbox"/>
	Ujistěte se, že jsou všechny kolíky plně zasunuté a že jsou úchytné kolíky bezpečně jištěné pojistnými kolíky.	<input type="checkbox"/>	<input type="checkbox"/>
Štítky (obr. 11)	Ověřte, zda jsou všechny štítky řádně připevněné a jsou čitelné (viz část <i>Štítky</i>)	<input type="checkbox"/>	<input type="checkbox"/>
PFAS a další vybavení	Je nezbytné nainstalovat a zkontrolovat vybavení doplňkového systému zachycení pádu osob (PFAS) (popruh, SRL atd.), který se používá se zdvihacím systémem, podle pokynů výrobce.	<input type="checkbox"/>	<input type="checkbox"/>

Sériové číslo (sériová čísla):	Datum nákupu:
Číslo modelu:	Datum prvního použití:
Nápravné opatření / údržba:	Schválil(a):
	Datum:
Nápravné opatření / údržba:	Schválil(a):
	Datum:
Nápravné opatření / údržba:	Schválil(a):
	Datum:
Nápravné opatření / údržba:	Schválil(a):
	Datum:
Nápravné opatření / údržba:	Schválil(a):
	Datum:
Nápravné opatření / údržba:	Schválil(a):
	Datum:
Nápravné opatření / údržba:	Schválil(a):
	Datum:
Nápravné opatření / údržba:	Schválil(a):
	Datum:
Nápravné opatření / údržba:	Schválil(a):
	Datum:
Nápravné opatření / údržba:	Schválil(a):
	Datum:
Nápravné opatření / údržba:	Schválil(a):
	Datum:
Nápravné opatření / údržba:	Schválil(a):
	Datum:
Nápravné opatření / údržba:	Schválil(a):
	Datum:

SIKKERHEDSOPLYSNINGER

Læs alle sikkerhedsoplysninger i denne brugsanvisning og sørg for, at du forstår og følger disse før brug af denne adgangs-/redningsanordning til lukkede rum. UNDLADELSE HERAF KAN MEDFØRE ALVORLIG PERSONSKADE ELLER DØDSFALD.

Disse anvisninger skal udleveres til brugeren af udstyret. Opbevar denne vejledning til senere brug.

Anvendelsesformål:

Dette adgangs-/redningssystem til lukkede rum er beregnet til brug som en del af et komplet personligt faldsikrings- og/eller redningssystem.

Enhver anden brug end denne, herunder eksempelvis materialehåndtering, rekreative eller sportslige aktiviteter eller andre aktiviteter, der ikke er beskrevet i brugsanvisningen eller installationsvejledningen, er ikke godkendt af 3M og kan medføre alvorlig skade eller død.

Denne anordning må kun benyttes af uddannede brugere til anvendelse på arbejdspladsen.

ADVARSEL

Denne adgangs/redningsanordning til lukkede rum er en del af et personligt faldsikrings- og redningssystem. Det forventes, at alle brugere er fuldt uddannede i sikker installation og drift af hele systemet. **Misbrug af denne anordning kan medføre alvorlig skade eller død.** Jævnfør denne brugervejledning samt alle producentens anbefalinger, tal med din vejleder eller kontakt 3M's tekniske service vedrørende korrekt valg, drift, installation, vedligeholdelse og servicering.

- **For at reducere risiciene ved at arbejde med en adgangs-/redningsanordning til lukkede rum, som, hvis de ikke undgås, kan medføre alvorlig skade eller død:**
 - Efterse anordningen før hver brug, mindst én gang om året og efter et eventuelt fald. Efterse systemet i overensstemmelse med brugervejledningen.
 - Hvis eftersynet afslører usikre eller defekte tilstande, skal udstyret tages ud af drift og repareres eller udskiftes i overensstemmelse med brugervejledningen.
 - Enhver anordning, som har været udsat for faldstandsning eller kraftpåvirkninger, skal straks tages ud af brug. Se brugervejledningen, eller kontakt 3M Fall Protection.
 - Anordningen må kun installeres som beskrevet i detaljer i installationsvejledningen eller brugervejledningen. Installationer og anvendelse uden for instruktionens område skal godkendes skriftligt af 3M Fall Protection.
 - Det grundlag eller den struktur, som denne anordning fastgøres til, skal være i stand til at modstå de statiske belastninger, der er specificeret for anordningen i de retninger, der er tilladt i brugervejledningerne eller installationsvejledningerne.
 - Overstig ikke antallet af tilladte brugere.
 - Man skal aldrig arbejde under en ophængt last eller arbejder.
 - Vær forsigtig ved installation, brug og flytning af anordningen, da dele i bevægelse kan skabe potentielle klemmepunkter. Der henvises til brugervejledningen.
 - Sørg for at korrekte lockout/tagout-procedurer bliver fulgt som foreskrevet.
 - Tilslut aldrig til et system, før det er positioneret, fuldt samlet, justeret og installeret. Juster ikke systemet, mens en bruger er tilkoblet.
 - Man må kun tilkoble faldsikringsundersystemer til det angivne forankringsforbindelsespunkt på anordningen.
 - Forud for boring eller fastgørelse skal det sikres, at ingen elledninger, gasledninger eller andre kritiske indkapslede systemer kommer i kontakt med boret eller anordningen.
 - Sørg for, at faldsikringsystemer/-undersystemer, der er samlet fra komponenter, der er fremstillet af forskellige fabrikanter, er kompatible og opfylder kravene i relevante standarder, inklusive ANSI Z359 eller andre gældende regulativer, standarder for eller krav til faldbeskyttelse. Opsøg altid en kompetent eller kvalificeret person, før du anvender disse systemer.
 - (DAVIT MED FØRESKINNESTOL) Davitbasen må kun anvendes sammen med 8548276 avanceret davit. Der må ikke anvendes anden davit sammen med davitbasen.
 - (LIFTKURV) Anvend ikke kurven før kurven er fuldt installeret og sikret til liften i henhold til fabrikantens instruktioner vedr. kurv og lift.
 - (STATIVER) Sørg for, at livlinen ikke når uden for stativets ben.
 - (STATIVER) Anvend aldrig stativet, uden at kæderne på benene er sikret eller som angivet i den brugervejledning, der følger med stativet.
- **For at reducere risici i forbindelse med højdearbejde, som, hvis de ikke undgås, kan medføre alvorlig skade eller død:**
 - Sørg for, at dit helbred og din kondition gør dig i stand til sikkert at kunne modstå alle de kræfter, der er forbundet med højdearbejde. Rådfør dig med din læge, hvis du har spørgsmål vedrørende din evne til at bruge dette udstyr.
 - Overstig aldrig den tilladte kapacitet for dit faldsikringsudstyr.
 - Overstig aldrig den maksimale faldafstand fra dit faldsikringsudstyr.
 - Brug ikke faldsikringsudstyr, som ikke virker ved forudgående brug eller planlagte inspektioner, eller hvis du er bekymret for udstyrets brug eller egnethed til det tilsigtede formål. Kontakt 3M's tekniske service med eventuelle spørgsmål.
 - Kombinationer med visse delsystemer og komponenter kan forstyrre driften af dette udstyr. Brug kun kompatible forbindelser. Rådfør dig med 3M, før du bruger dette udstyr sammen med andre komponenter eller delsystemer end dem, der er beskrevet i brugervejledningen.
 - Vær særligt forsigtig, når du arbejder i nærheden af maskiner, som bevæger sig (f.eks. øverste drev på olieplatforme), fare for elektrisk stød, ekstreme temperaturer, kemiske farer, eksplosive eller giftige gasser, skarpe kanter eller under overliggende materialer, som kan falde ned på dig eller faldsikringsudstyret.
 - Brug Arc Flash eller Hot Works (dvs. passende beskyttelses)-anordninger, når du arbejder i miljøer med ekstrem varme.
 - Undgå overflader og genstande, som kan beskadige brugeren eller udstyret.
 - Sørg for tilstrækkelig faldafstand ved højdearbejde.
 - Faldsikringsudstyret må aldrig modificeres eller ændres. Kun 3M eller parter, som 3M skriftligt har bemyndiget må foretage reparationer på udstyret.
 - Før brug af faldsikringsudstyret skal du sørge for at have en redningsplan, som muliggør hurtig redning i tilfælde af fald.
 - Hvis der sker et fald, søges straks lægehjælp for den faldne arbejdstager.
 - Brug ikke et kropsbælte til anvendelser, der involverer faldsikring. Må kun benyttes med komplet kropssele.
 - Svingfald kan minimeres ved så vidt muligt at arbejde lige under forankringspunktet.
 - Hvis der øves med denne anordning, skal der benyttes sekundært faldbeskyttelsesudstyr på en sådan måde, at lærlingen ikke udsættes for utilsigtet faldrisiko.
 - Brug altid passende personlige værnemidler under installation, brug eller inspektion af enheden/systemet.

Inden udstyret monteres og tages i brug, skal produktidentifikationsoplysningerne fra ID-mærkatens noteres i inspektions- og vedligeholdelsesloggen (2) på bagsiden af denne manual.

PRODUKTBESKRIVELSE:

Figur 1 viser 3M™ lukkede rum høj kapacitet (HC) Davit-samlingen. Lukkede rum høj kapacitet HC Davit-samlingen bruges til at hejse og sænke en arbejder til en arbejdsplads og levere faldsikrings- eller redningsforankringspunkter. Denne instruktion gælder for følgende lukkede rum HC Davit-samlings-komponenter:

- (A) Kort rækkevidde HC Davit reservedelsnummer 8000107, lang rækkevidde HC Davit reservedelsnummer 8000108.
- (B) Fire tilgængelige længder af mastforlængelser.
- (C) Universalsamling reservedelsnummer 8000109.
- (D) Kort rækkevidde offset-arm reservedelsnummer 8000110, (e) lang rækkevidde offset-arm reservedelsnummer 8000111.
- (F) Spilbeslag reservedelsnummer 8000117 (inkluderet med universalsamling til spil monteret i bag eller SRL; yderligere spilbeslag 8000117 er krævet til spil monteret foran eller SRL).

Lukkede rum høj kapacitet HC Davit-samling masten er installeret i den passende 3M-base, som fås separat. Se tabel 1 - specifikationer.

Baseinstallation skal godkendes ifølge lokale reguleringer af en kvalificeret ingeniør. Se instruktionerne angående baseinstallationen. Lukkede rum HC Davit-samling mastforlængelser må ikke stables. Der må bruges maksimalt en mastforlængelse pr. Davit-base.

Tabel 1 – Specifikationer

Systemspecifikationer:			
Kapacitet:	Faldstandsning: EN795:2012 og CEN/TS 16415:2013 er beregnet til en eller to brugere.		
	Redning: EN1496:2006 er beregnet til en bruger med en samlet maksimal vægt på 140 kg (310 pund), inklusive værktøj og udstyr på linen ved anvendelsen.		
	Materialehåndtering: 205 kg (450 pund) når bruges med enhver 3M HC portabel base (3-dele, trucksikring eller kontravægtsystem), og en kapacitet på 340 kg (750 pund), når den bruges med enhver 3M HC permanent base (gulvmonteret, vægmonteret, overflademonteret eller kernemonteret). Se specifikationerne for materialehåndteringskapacitet nedenfor:		
	Kapacitet af materialehåndtering (kg, pund)	3M basebeskrivelse	3M base-reservedelsnummer
	205 kg (450 pund)	Kort rækkevidde base i 3 dele	8000104
	205 kg (450 pund)	Lang rækkevidde base i 3 dele	8000105
	205 kg (450 pund)	Truck-tilkoblingsbase	8000103
	205 kg (450 pund)	Kontravægtsystembase	8000106
	340 kg (750 pund)	Gulvmonteret base	8000095 - galvaniseret 8000096 - rustfrit
	340 kg (750 pund)	Vægmonteret base	8000101 - galvaniseret 8000102 - rustfrit
340 kg (750 pund)	Overflademonteret base	8000099 - galvaniseret 8000100 - rustfrit	
340 kg (750 pund)	Kernemonteret base	8000089 - galvaniseret 8000090 - rustfrit	
340 kg (750 pund)	Kernemonteret m. pladebase øverst	8000091 - galvaniseret 8000092 - rustfrit	
Dimensioner:	Se figur 1 for dimensionerne af lukkede rum HC Davit-samlingskomponenter.		
Produktvægt:	Se figur 1 for vægten af lukkede rum HC Davit-samlingskomponenter.		
Certificering:	Certificeringer til HC Davit-arme og HC mastforlængelse, når de anvendes med portable eller permanente HC-baser		
	Portable baser	EN795:2012 CEN/TS16415:2013	EN1496:2006
	Base i 3 dele (8000104, 8000105)	Certificeret (type B)	Opfylder (klasse B)
	Truck-tilkoblingsbase (8000103)	Certificeret (type B)	Opfylder (klasse B)
	Kontravægtsystembase (8000106)	Certificeret (type B)	Opfylder (klasse B)
	Permanente baser		
	Gulvmonteret base (8000095, 8000096)	Opfylder (type A)	Opfylder (klasse B)
	Vægmonteret base (8000101, 8000102)	Opfylder (type A)	Opfylder (klasse B)
	Overflademonteret base (8000099, 8000100)	Opfylder (type A)	Opfylder (klasse B)
	Kernemonteret base (8000089, 8000090)	Opfylder (type A)	Opfylder (klasse B)
Kernemonteret m. pladebase øverst (8000091, 8000092)	Opfylder (type A)	Opfylder (klasse B)	

Tabel 1 – Specifikationer

Materialespecifikationer på komponenter til lukkede rum HC Davit-samling i figur 2.		
Figur 2 Reference	Komponent	Materialer
(A)	Davit-arm	Aluminium, 6061-T6
(B)	Sikringsstift	Galvaniseret stål
(C)	Davit-tajleblok bag	Sort acetat
(D)	Davit-arm taljeblok (2)	Delrin
(E)	Nederste Davit-arm taljeblok	Delrin
(F)	U-beslag (2)	Rustfrit stål
(G)	Davit-mastforlængelse	Aluminium 6061 og galvaniseret stål
(H)	Spilbeslag	Galvaniseret stål

1.0 PRODUKTANVENDELSE

1.1 FORMÅL: Lukkede rum høj kapacitet HC Davit-samlingen bruges til at hejse og sænke en arbejder til en arbejdsplads og levere faldstandsings- eller redningsforankringspunkter.

1.2 STANDARDER: Denne lukkede rum HC Davit-samling lever op til de nationale eller regionale standarder, der er angivet på forsiden og tabel 1 i denne brugsanvisning. Hvis dette produkt videresælges uden for det oprindelige modtagerland, skal den person, der videresælger, sørge for vejledning i brug, vedligeholdelse, regelmæssig inspektion og reparation på sproget i det land, hvor produktet skal bruges.

1.3 INSTALLATION OG OPSYN: En kvalificeret person skal holde opsyn med installationen af lukkede rum HC Davit-samlingen¹. En kvalificeret person² skal godkende, at den strukturelle installation opfylder lokale og nationale bestemmelser. En kvalificeret person skal anbefale passende fastgørelseselementer og korrekt placering af lukkede rum HC Davit-samlingen. En kvalificeret person skal holde opsyn med brugen af Daviten og det fastgjorte faldsikringsudstyr.

1.4 UDDANNELSE: Dette udstyr skal monteres og anvendes af personer, der har gennemgået træning i korrekt anvendelse af udstyret. Denne vejledning kan bruges som del af et uddannelsesprogram for medarbejdere og/eller regionale reguleringer. Installatørerne og brugerne af dette udstyr har ansvaret for at sikre, at de er bekendte med denne vejledning, er trænet i rigtig vedligeholdelse og anvendelse af udstyret samt er bekendte med anvendelseskaraktistika, anvendelsesbegrænsninger og konsekvenserne af forkert anvendelse af udstyret.

1.5 REDNINGSPLAN: Når Daviten og det fastgjorte faldsikringsudstyr anvendes, skal arbejdsgiveren have en redningsplan samt midlerne til at implementere den til rådighed og kommunikere denne plan til brugere. Det anbefales at have et uddannet redningshold på stedet. Reddere skal forsynes med udstyr og teknikker til gennemførelse af en vellykket redning. Træning skal gennemføres med jævne mellemrum for at sikre, at redderne har de fornødne færdigheder.

1.6 INSPEKTIONSHYPPIGHED: Lukkede rum HC Davit-samlingen skal efterses af brugeren før hvert brug samt af en anden kvalificeret person forskellig fra brugeren mindst en gang om året.³ Inspektionsprocedurer er beskrevet i "Inspektions- og vedligeholdelsesloggen". Resultaterne af hver inspektion foretaget af den kvalificerede person skal noteres i kopier af "Inspektions- og vedligeholdelsesloggen".

2.0 SYSTEMKRAV

2.1 KOMPONENTKOMPATIBILITET: 3M-udstyr er kun beregnet til brug med andre 3M-godkendte komponenter og delsystemer. Erstatninger eller udskiftninger med ikke-godkendte komponenter eller delsystemer kan bringe udstyrets kompatibilitet i fare og kan påvirke det komplette systems sikkerhed og pålidelighed.

2.2 PERSONLIGT FALDSTANDSNINGSSYSTEM: Personligt faldstandsningssystem (PFAS), der bruges med systemet, skal overholde gældende faldsikringsstandarder, regler og krav. PFAS skal have helkropssele og begrænse standse kraft til følgende værdier:

	Maksimal standse kraft	Frit fald
PFAS med stødabsorberende sikkerhedsline	6 kN (1.350 lb)	Se vejledningen, som fulgte med dit taljereb eller SRD for begrænsninger for frit fald.
PFAS med selvopruddende enhed (SRD)	6 kN (1.350 lb)	

1 Kvalificeret person: En person, som er i stand til at identificere eksisterende og forudsigelige risici i omgivelserne eller i forhold til arbejdsbetingelser, som er usunde, skadelige eller farlige for medarbejderne, og som har bemyndigelse til at træffe øjeblikkelige korrigerende forholdsregler for at eliminere dem.

2 Kvalificeret person: En person med en anerkendt grad eller uddannelsesbevis og med omfattende erfaring med faldsikring. Denne person skal kunne designe, analysere, evaluere og specificere faldsikring.

3 Inspektionshyppighed: Ekstreme arbejdsforhold (barsk miljø, langvarig brug osv.) kan gøre det nødvendigt at øge den kvalificerede persons inspektionshyppighed.

3.0 MONTERING

3.1 PLANLÆGNING: Planlæg dit faldsikringsystem før brug og installation af lukkede rum HC Davit-samlingen. Tag højde for alle faktorer, der kan påvirke din sikkerhed inden, under og efter et fald.

- Planlæg dit arbejde, før du begynder. Hav de nødvendige personer, udstyr og procedurer tilgængelige, så du kan udføre jobbet.
- Arbejd altid i teams. En person, der bliver hævet eller sænket og en anden person, der leverer og trækker linen ind.
- Hav passende beskyttelsesudstyr på såsom arbejdshjelm, sikkerhedsbriller, sikkerhedssko med skridsikre såler, tykke handsker, beskyttende tøj og en ansigtsmaske.
- Lukkede rum HC Davit-samling mastforlængelser må ikke stables. Der må bruges maksimalt en mastforlængelse pr. Davit-base.
- Alle spil, SRL-monteringsdele og hardware skal være leveret af eller godkendt af 3M Fall Protection.
- Spillet skal forankres sikkert før brug.
- Brugere af systemet skal anvende en godkendt helkropssele.
- Brug kun tilbagetrækkelige anordninger eller energidæmpere med en maksimal standsekraft, der svarer til eller er lavere end den lavest vurderede komponent i dit system.
- Tilbagetrækkelige anordninger og energidæmpere skal installeres og anvendes i henhold til producentens instruktioner.
- Modulkomponenter er afmærket med de kapaciteter og den rating, til hvilket formål de blev designet, testet og fremstillet. Systemets rating anses for at være ratingen af den lavest vurderede systemkomponent. Brug ikke systemet, hvis ratingmærkaterne er beskadigede eller ikke kan læses. Ny mærkater kan fås fra 3M Fall Protection.
- Lukkede rum HC Davit-samlingen skal fjernes fra jobområdet, når der ikke længere er brug for den.

3.2 INSTALLERING AF LUKKEDE RUM HC DAVIT-SAMLINGEN:

1. (Figur 3) Indsæt lukkede rum HC Davit-samlingens mastforlængelse i en installeret 3M HC Davit-base. (Se skema 1 for 3M basebeskrivelserne.) Følg instruktionen til Davit-baseinstallationen med sikring af Davit-basen på forankringsstrukturen.
2. Påsæt Davit-hovedsamlingen på universalsamlingen:
 - a. (Figur 4a) indsæt Davithoved vinkelrør (A) i universalsamlingens vinkel-svejsning (B). Brug sikringsstift (C) til at sikre vinkelrøret i vinkel-svejsningen.
 - b. (Figur 4b) Brug tilkoblingsstiften (D) til at påsætte Davit-hovedarmsrøret mellem sidepladerne (E) på universalsamlingen. Sikr tilkoblingsstiften med ringstiften, som er forbundet til den modsatte side af universalsamlingen.
3. (Figur 5) Placér den samlede Davit-arm/universal på mastforlængelsen. Den underste kant af Davit-armrøret skal være i kontakt med den lange øverste kant på mastforlængelsen. Centrér stiften i bunden af Davit-armrøret på skruen, som findes på den lange øverste kant af mastforlængelsen.
4. (Figur 6) Længden af Davit-armforlængelsen kan justeres i en af fire positioner. Fjern sikringsstiften (A) og skub Davit-armforlængelsen ud eller ind i den ønskede længde. Davit-armen skal sikres ved den forlængede position med sikringsstiften (A). Sæt sikringsstiften helt i.
5. (Figur 7) Længden af Davit-armvinklen kan justeres i en af tre positioner. Fjern sikringsstiften (C) og skub vinkelrøret (A) ind eller ud af vinkelsvejsningen (B). Vinkelrøret skal sikres med sikringsstiften (C). Sæt sikringsstiften helt i.
6. (Figur 8) Installer spillet i følge producentens instruktioner. Spillet er monteret med spilbeslaget, som er inkluderet i universalsamlingen. Spilkablet skal typisk føres over den bageste taljeblok (A) på universalsamlingen og den øverste taljeblok (B) på Davit-armen. En anden og/eller yderligere montering foran er en mulighed. Se afsnit 3.3.

3.3 SPILBESLAG 8000117:

1. (Figur 9) Et frontmonteret spil eller SRL kan tilføjes til lukkede rum HC Davit-samlingens mastforlængelse ved at installere et andet spilbeslag 8000117 (købt separat). Sikr spilbeslaget (A) på mastforlængelsen med de to spilbeslag-sikringsstifter (B). Spillet eller SRL-kablet bruger taljeblokken foran (C) på universalsamlingen og den nederste taljeblok foran (D) på Davit-armen.

3.4 U-BESLAGETS FASTGØRELSESPUNKTER:

(Figur 10) De to U-beslag fastgørelsespunkter (A og B) kan bruges til faldstandsning, redning eller materialehåndtering. Overskrid ikke den vandrette afstand på 38 cm (15 tommer) fra Davit-basen, når du bruger U-beslaget fastgørelsespunkt A.

4.0 BRUG

4.1 FØR HVER BRUG: Verificér at dit arbejdsområde og dit personlige faldstandsningssystem (PFAS) overholder alle kriterier i afsnit 2, og at der forefindes en formaliseret nødplan. Efterse lukkede rum HC Davit-samlingen i henhold til "Bruger"-inspektionspunkterne beskrevet i "Inspektions- og vedligeholdelseslog" i denne vejledning. Brug ikke systemet, hvis inspektionen afslører en usikker eller defekt tilstand. Tag systemet ud af brug og ødelæg det, eller kontakt 3M med henblik på udskiftning eller reparation.

5.0 INSPEKTION

5.1 INSPEKTIONSHYPPIGHED: Lukkede rum HC Davit-samlingen skal efterses i de intervaller, der er anført i afsnit

1. Inspektionsprocedurer er beskrevet i "Inspektions- og vedligeholdelseslog". Efterse alle andre komponenter i faldsikringssystemet med den hyppighed og efter de procedurer, som er beskrevet i producentens instruktioner.

5.2 DEFEKTER: Hvis en inspektion afslører usikre eller fejlbehæftede tilstande, skal lukkede rum HC Davit-basen omgående tages ud af drift, og 3M skal kontaktes med henblik på udskiftning eller reparation. Prøv ikke på at reparere faldstandsningssystemet.

Der må kun udføres autoriserede reparationer: Kun 3M eller parter med skriftlig bemyndigelse må foretage reparationer på dette udstyr.

5.3 PRODUKTETS LEVETID: Den funktionelle levetid af lukkede rum HC Davit-samlingen er bestemt af arbejdsforhold og vedligeholdelse. Så længe produktet godkendes ved inspektionen, må det fortsat bruges.

6.0 VEDLIGEHOLDELSE, SERVICE, OPBEVARING

6.1 RENGØRING: Rens med jævne mellemrum lukkede rum HC Davit-samlingens metalkomponenter med en blød børste og varmt vand med en mild sæbeopløsning. Sørg for, at delene bliver grundigt skyllet med rent vand.

6.2 SERVICE: Kun 3M eller parter med skriftlig bemyndigelse fra 3M må foretage reparationer på dette udstyr. Hvis lukkede rum HC Davit-samlingen har været aktiveret i forbindelse med et fald, eller en inspektion afslører usikre eller fejlbehæftede forhold, skal systemet omgående tages ud af drift, og 3M skal kontaktes med henblik på udskiftning eller reparation.

6.3 OPBEVARING OG TRANSPORT: Når det ikke bruges, skal lukkede rum HC Davit-samlingen og det tilhørende faldudstyr opbevares og transporteres på et tørt, køligt, rent sted, hvor det ikke udsættes for direkte sollys. Undgå steder, hvor der kan være kemikaliedampe. Inspicer komponenterne efter længere tids opbevaring.

7.0 MÆRKATER

Figur 11 viser mærkaterne på lukkede rum HC Davit-samlingen. Mærkater skal udskiftes, hvis de ikke er helt læselige.

Table 2 – Inspection- and maintenance log

Inspektionsdato:		Inspiceret af:	
Komponenter:	Inspektion: (Se afsnit 5 for inspektionshyppigheden)	Bruger	Kvalificeret person
Lukkede rum Davit-samling (figur 1 og 2)	Efterse lukkede rum HC Davit-samlingen for revner, buler eller svagheder.	<input type="checkbox"/>	<input type="checkbox"/>
	Efterse hele enheden for korrosion.	<input type="checkbox"/>	<input type="checkbox"/>
	Efterse alle fastgøringsanordninger for at sikre, at de er spændt. Spænd hvis nødvendigt.	<input type="checkbox"/>	<input type="checkbox"/>
	Efterse for at sikre, at alle stifter er sat helt i, og tilkoblingsstifter sidder sikkert med ringstifter.	<input type="checkbox"/>	<input type="checkbox"/>
Mærkater (figur 11)	Kontrollér, at alle mærkater er sikkert på plads, og at de er læselige (se "Mærkater")	<input type="checkbox"/>	<input type="checkbox"/>
PFAS og andet udstyr	Ekstra udstyrsdele til personlige faldstandsningssystemer (PFAS) (seler, SRL etc.), som bruges med Daviten, skal monteres og efterses i henhold til producentens anvisninger.	<input type="checkbox"/>	<input type="checkbox"/>

Serienummer/-numre:	Købsdato:
Modelnummer:	Dato for første brug:
Korrigerende foranstaltning/vedligeholdelse:	Godkendt af:
	Dato:
Korrigerende foranstaltning/vedligeholdelse:	Godkendt af:
	Dato:
Korrigerende foranstaltning/vedligeholdelse:	Godkendt af:
	Dato:
Korrigerende foranstaltning/vedligeholdelse:	Godkendt af:
	Dato:
Korrigerende foranstaltning/vedligeholdelse:	Godkendt af:
	Dato:
Korrigerende foranstaltning/vedligeholdelse:	Godkendt af:
	Dato:
Korrigerende foranstaltning/vedligeholdelse:	Godkendt af:
	Dato:
Korrigerende foranstaltning/vedligeholdelse:	Godkendt af:
	Dato:
Korrigerende foranstaltning/vedligeholdelse:	Godkendt af:
	Dato:
Korrigerende foranstaltning/vedligeholdelse:	Godkendt af:
	Dato:
Korrigerende foranstaltning/vedligeholdelse:	Godkendt af:
	Dato:
Korrigerende foranstaltning/vedligeholdelse:	Godkendt af:
	Dato:
Korrigerende foranstaltning/vedligeholdelse:	Godkendt af:
	Dato:
Korrigerende foranstaltning/vedligeholdelse:	Godkendt af:
	Dato:

SICHERHEITSHINWEISE

Vor der Verwendung dieses Einstiegs-/Bergungsgeräts für enge Räume müssen die Sicherheitshinweise in diesen Anweisungen gelesen, verstanden und befolgt werden. **NICHTBEACHTUNG KANN ERNSTE VERLETZUNGEN ODER DEN TOD ZUR FOLGE HABEN.**

Diese Anweisungen müssen dem Benutzer dieser Ausrüstung zur Verfügung gestellt werden. Bewahren Sie diese Anweisungen für den späteren Gebrauch auf.

Verwendungszweck:

Dieses Einstiegs-/Bergungsgeräts für enge Räume ist für den Gebrauch als Teil eines kompletten persönlichen Absturzsicherungs- oder Rettungssystems vorgesehen.

Die Verwendung in anderen Anwendungen, u. a. bei nicht genehmigten Anwendungen im Materialtransport, Freizeitaktivitäten, Sportaktivitäten oder anderen, nicht in den Benutzeranweisungen oder in den Installationsanweisungen beschriebenen Aktivitäten, wird nicht durch 3M genehmigt und kann zu schweren Verletzungen oder zum Tod führen.

Dieses Gerät darf nur von Personen verwendet werden, die in der Verwendung des Geräts am Arbeitsplatz geschult sind.



WARNUNG

Dieses Einstiegs-/Bergungsgeräts für enge Räume ist Teil eines persönlichen Absturzsicherungs- oder Rettungssystems. Es wird erwartet, dass alle Benutzer vollständig in der sicheren Installation und Bedienung des kompletten Systems geschult werden. **Der unsachgemäße Gebrauch dieses Geräts kann ernste Verletzungen oder den Tod zur Folge haben.** Informationen zur richtigen Auswahl, Bedienung, Installation, Wartung und Instandhaltung sind allen Produktanweisungen und Herstellerempfehlungen zu entnehmen, oder wenden Sie sich an Ihren Vorgesetzten oder an den technischen Service von 3M.

- **Maßnahmen zur Reduzierung der Risiken (die, wenn sie nicht vermieden werden, zu schweren Verletzungen oder zum Tod führen können) im Zusammenhang mit einem Einstiegs-/Bergungsgeräts für enge Räume:**
 - Überprüfen Sie das Gerät vor jeder Verwendung, mindestens aber jährlich und nach jedem Absturz. Überprüfen Sie gemäß den Benutzeranweisungen.
 - Falls bei der Überprüfung eine Gefahr oder ein Mängelzustand festgestellt wird, nehmen Sie das Gerät außer Betrieb und reparieren oder ersetzen Sie es gemäß den Benutzeranweisungen.
 - Jedes Gerät, das einer Absturzsicherung oder Aufprallkräften ausgesetzt war, muss sofort aus dem Betrieb genommen werden. Sehen Sie in den Benutzeranweisungen nach oder kontaktieren Sie 3M Fall Protection.
 - Das Gerät darf nur in der Art und Weise installiert werden, die in den Installationsanweisungen oder in den Benutzeranweisungen angegeben ist. Nicht in der Bedienungsanleitung beschriebene Installationsweisen und Verwendungen müssen schriftlich von 3M Fall Protection genehmigt werden.
 - Das Trägermaterial oder die Struktur, an die das Gerät befestigt ist, muss die statischen Belastungen tragen können, die für das Gerät in den zulässigen Vorgaben angegeben sind. Diese sind in den Benutzeranweisungen oder in den Installationsanweisungen zu finden.
 - Die Anzahl der zulässigen Benutzer nicht überschreiten.
 - Keine Arbeiten unterhalb einer schwebenden Last oder eines im Gurt hängenden Arbeiters verrichten.
 - Vorsicht beim Installieren, Verwenden und Bewegen des Geräts, da durch bewegliche Teile potentielle Quetschpunkte entstehen können. Sehen Sie in den Benutzeranweisungen nach.
 - Stellen Sie sicher, dass angemessene Verfahren zur Absperrung und Sicherung eingehalten wurden, soweit anwendbar.
 - Niemals mit einem System verbinden, das nicht positioniert, vollständig aufgebaut, angepasst und installiert ist. Das System nicht einstellen, wenn eine Person im Gurt hängt.
 - Nur Untersysteme der Absturzsicherung mit dem gekennzeichneten Verankerungspunkt am Gerät verbinden.
 - Stellen Sie vor dem Bohren oder Befestigen sicher, dass keine elektrischen Leitungen, Gasleitungen oder sonstige kritische integrierte Systeme mit dem Bohrer oder dem Gerät in Kontakt geraten.
 - Stellen Sie sicher, dass Absturzsicherungssysteme/Teilsysteme, die aus Komponenten von verschiedenen Herstellern zusammengebaut werden, zueinander passen und den Anforderungen von geltenden Normen, einschließlich ANSI Z359 oder anderen gültigen Absturzsicherungsrichtlinien, Standards oder Anforderungen entsprechen. Ziehen Sie stets einen Sachkundigen oder eine qualifizierte Person zurate, bevor Sie diese Systeme verwenden.
- **Maßnahmen zur Reduzierung der Risiken (die, wenn sie nicht vermieden werden, zu schweren Verletzungen oder zum Tod führen können) im Zusammenhang mit Arbeiten in der Höhe:**
 - Stellen Sie sicher, dass Ihre gesundheitliche und körperliche Verfassung allen Kräften im Zusammenhang mit Arbeiten in der Höhe sicher standhalten kann. Konsultieren Sie Ihren Arzt, wenn Sie Fragen bezüglich Ihrer Fähigkeit haben, diese Ausrüstung zu verwenden.
 - Niemals die zulässige Belastbarkeit für Ihre Absturzsicherungsausrüstung überschreiten.
 - Niemals die maximale Strecke des Absturzes Ihrer Absturzsicherungsausrüstung überschreiten.
 - Verwenden Sie keine Absturzsicherungsausrüstung, die die Prüfung vor dem Einsatz oder andere geplante Prüfungen nicht bestanden haben, oder wenn Sie Bedenken über die Verwendung oder Tauglichkeit dieser Ausrüstung für Ihren Anwendungsbereich haben. Bei allen Fragen wenden Sie sich an den technischen Kundendienst von 3M.
 - Manche Kombinationen mit Teilsystemen und Komponenten können die Funktionsweise dieser Ausrüstung beeinträchtigen. Nur kompatible Verbindungselemente verwenden. Konsultieren Sie 3M, bevor Sie diese Ausrüstung in Kombination mit anderen Komponenten oder Untersystemen verwenden als denen, die in dieser Bedienungsanleitung beschrieben sind.
 - Bei der Arbeit in der Nähe von beweglichen Maschinen (z. B. Kraftdrehknopf von Ölplattformen), elektrischen Gefahrenherden, extremen Temperaturen, chemischen Gefahren, explosiven oder toxischen Gasen, scharfen Kanten oder unterhalb von über dem Kopf befindlichen Materialien, die auf Sie oder die Absturzsicherung fallen könnten, besonders vorsichtig vorgehen.
 - Bei Arbeiten in Umgebungen mit hohen Temperaturen Vorrichtungen für Schweißlichtbogen oder Heißenarbeiten verwenden.
 - Oberflächen und Gegenstände vermeiden, die dem Benutzer oder der Ausrüstung schaden könnten.
 - Stellen Sie bei Arbeiten in der Höhe einen angemessenen Fallraum sicher.
 - Niemals versuchen, die Absturzsicherung zu modifizieren. Nur 3M oder Dritte, die hierzu schriftlich von 3M autorisiert sind, dürfen Reparaturen an der Ausrüstung vornehmen.
 - Vergewissern Sie sich vor dem Einsatz der Absturzsicherung, dass ein Rettungsplan vorliegt, durch dessen Mittel eine unverzügliche Rettung bei einem Absturz ermöglicht wird.
 - Wenn es zu einem Absturz kommt, muss für den abgestürzten Arbeiter sofort ein Arzt hinzugezogen werden.
 - Verwenden Sie für Absturzsicherungsanwendungen keinen Haltegurt. Verwenden Sie nur einen Ganzkörper-Auffanggurt.
 - Minimieren Sie Pendelstürze, indem Sie so nahe wie möglich am Verankerungspunkt arbeiten.
 - Beim Training mit dieser Vorrichtung muss ein zweites Absturzsicherungssystem in der Weise angewendet werden, dass der Trainingsteilnehmer keiner unbeabsichtigten Absturzgefahr ausgesetzt wird.
 - Beim Zusammenbau, der Verwendung oder Prüfung der Vorrichtung stets eine entsprechende persönliche Schutzausrüstung tragen.

Übertragen Sie die Angaben zur Produktidentifikation vor der Installation und Verwendung dieser Ausrüstung vom ID-Etikett in das Inspektions- und Wartungsprotokoll (Tabelle 2) am Ende dieses Handbuchs.

PRODUKTBESCHREIBUNG:

Abbildung 1 zeigt die 3M™-Auslegerbaugruppe mit hoher Kapazität (HC) für enge Räume. Die HC-Auslegerbaugruppe für enge Räume dient dazu, einen Arbeiter zu einem Arbeitsplatz anzuheben oder abzusenken und eine Absturzsicherung oder einen Rettungsverankerungspunkt bereitzustellen. Diese Anweisung gilt für die folgenden Komponenten der HC-Auslegerbaugruppe für enge Räume:

- (A) HC-Ausleger mit kurzer Reichweite Teilenummer 8000107, HC-Ausleger mit langer Reichweite Teilenummer 8000108.
- (B) Vier verfügbare Mastverlängerungen verschiedener Länge.
- (C) Universelle Baugruppe Teilenummer 8000109.
- (D) Versetzter Arm mit kurzer Reichweite Teilenummer 8000110, (E) Versetzter Arm mit langer Reichweite Teilenummer 8000111.
- (F) Windenhalterung Teilenummer 8000117 (in der universellen Baugruppe für die rückwärtig montierte Winde oder HSG enthalten; zusätzliche Windenhalterung 8000117 für die vorne montierte Winde oder HSG erforderlich).

Der Mast der HC-Auslegerbaugruppe für enge Räume wird in einen passenden 3M-Fuß installiert, der separat erhältlich ist. Siehe Tabelle 1 - Spezifikationen.

Die Basisinstallation muss in Übereinstimmung mit den vor Ort geltenden Vorschriften von einem qualifizierten Ingenieur genehmigt werden. Lesen Sie die Fußinstallationsanweisungen durch. Verlängerungen des Mastes der HC-Auslegerbaugruppe für enge Räume können nicht übereinander angeordnet werden. Pro Auslegerfuß kann maximal eine Mastverlängerung benutzt werden.

Tabelle 1 – Spezifikationen

Systemspezifikationen:			
Tragfähigkeit:	<p>Absturzsicherung: EN795:2012 und CEN/TS 16415:2013 sind für einen oder zwei Benutzer ausgelegt. Rettung: EN1496:2006 ist für einen Benutzer mit einem maximalen Gesamtgewicht von 140 kg (310 lbs), einschließlich Werkzeug und Ausrüstung, während der Arbeit am Seil ausgelegt. Materialhandhabung: 205 kg (450 lbs) bei Verwendung auf einem transportablen 3M-Fuß (dreiteilig, LKW-Anhängerkupplung oder Gegengewichtswagen, und eine Kapazität von 340 kg (750 lbs) bei Verwendung auf einem stationären 3M HC-Fuß (Bodenhalterung, Wandhalterung, Deckenhalterung oder Kernhalterungen). Siehe die Spezifikationen für die Materialförderkapazität weiter unten:</p>		
	Materialförderkapazität (kg, lbs)	Beschreibung des 3M-Fußes	Teilenummer des 3M-Fußes
	205 kg (450 lbs)	Dreiteiliger Fuß mit kurzer Reichweite	8000104
	205 kg (450 lbs)	Dreiteiliger Fuß mit langer Reichweite	8000105
	205 kg (450 lbs)	LKW-Anhängerkupplungsbasis	8000103
	205 kg (450 lbs)	Gegengewichtswagenbasis	8000106
	340 kg (750 lbs)	Bodenhalterungsbasis	8000095 – Verzinkt 8000096 – Edelstahl
	340 kg (750 lbs)	Wandhalterungsbasis	8000101 – Verzinkt 8000102 – Edelstahl
	340 kg (750 lbs)	Deckenhalterungsbasis	8000099 – Verzinkt 8000100 – Edelstahl
	340 kg (750 lbs)	Kernhalterungsbasis	8000089 – Verzinkt 8000090 – Edelstahl
	340 kg (750 lbs)	Kernhalterung mit oberer Plattenbasis	8000091 – Verzinkt 8000092 – Edelstahl
Abmessungen:	Die Abmessungen der Komponenten der HC-Auslegerbaugruppe für enge Räume finden Sie in Abbildung 1.		
Produktgewicht:	Das Gewicht der Komponenten der HC-Auslegerbaugruppe für enge Räume finden Sie in Abbildung 1.		
Zertifizierung:	Zertifizierungen für HC-Mastarme und HC-Mastverlängerungen bei Verwendung mit tragbaren oder stationären HC-Basen		
	Transportable Basen	EN795:2012 CEN/TS16415:2013	EN1496:2006
	3-teilige Basis (8000104, 8000105)	Zertifiziert (Typ B)	Erfüllt (Klasse B)
	LKW-Anhängerkupplungsbasis (8000103)	Zertifiziert (Typ B)	Erfüllt (Klasse B)
	Gegengewichtswagenbasis (8000106)	Zertifiziert (Typ B)	Erfüllt (Klasse B)
	Stationäre Basen		
	Bodenhalterungsbasis (8000095, 8000096)	Erfüllt (Typ A)	Erfüllt (Klasse B)
	Wandhalterungsbasis (8000101, 8000102)	Erfüllt (Typ A)	Erfüllt (Klasse B)
	Deckenhalterungsbasis (8000099, 8000100)	Erfüllt (Typ A)	Erfüllt (Klasse B)
	Kernhalterungsbasis (8000089, 8000090)	Erfüllt (Typ A)	Erfüllt (Klasse B)
	Kernhalterung mit oberer Plattenbasis (8000091, 8000092)	Erfüllt (Typ A)	Erfüllt (Klasse B)

Tabelle 1 – Spezifikationen

Materialspezifikationen der Komponenten der HC-Auslegerbaugruppe für enge Räume in Abbildung 2.		
Siehe Abbildung 2	Komponente	Material
(A)	Mastausleger	Aluminium 6061-T6
(B)	Sperrstift	Verzinkter Stahl
(C)	Hintere Mastausleger-Umlenkrolle	Schwarzes Acetal
(D)	Mastausleger-Umlenkrolle (2)	Delrin
(E)	Untere Mastausleger-Umlenkrolle	Delrin
(F)	U-Halterung (2)	Edelstahl
(G)	Auslegermastverlängerung	Aluminium 6061 und verzinkter Stahl
(H)	Windenthalterung	Verzinkter Stahl

1.0 PRODUKTANWENDUNG

- 1.1 VERWENDUNGSZWECK:** Die HC-Auslegerbaugruppe für enge Räume dient dazu, einen Arbeiter zu einem Arbeitsplatz anzuheben oder abzusenken und eine Absturzsicherung oder einen Rettungsverankerungspunkt bereitzustellen.
- 1.2 NORMEN:** Diese HC-Auslegerbaugruppe für enge Räume entspricht der/den vorne auf diesem Handbuch und in Tabelle 1 dieser Anweisungen angegebenen nationalen bzw. regionalen Norm(en). Wenn dieses Produkt außerhalb des ursprünglichen Bestimmungslandes wiederverkauft wird, muss der Wiederverkäufer diese Anweisungen in der Sprache des Landes zur Verfügung stellen, in dem das Produkt verwendet werden wird.
- 1.3 MONTAGE UND BEAUFSICHTIGUNG:** Die Montage der HC-Auslegerbaugruppe für enge Räume muss von einem Sachkundigen beaufsichtigt werden¹. Eine qualifizierte Person ² muss sicherstellen, dass die Montage am Bauwerk den Vorschriften der Regional- und Bundesbehörden entspricht. Eine qualifizierte Person muss Empfehlungen für geeignete Befestigungen und die richtige Platzierung der HC-Auslegerbaugruppe für enge Räume geben. Die Verwendung des Auslegers und der daran befestigten Absturzsicherungen muss von einem Sachkundigen beaufsichtigt werden.
- 1.4 SCHULUNG:** Die Ausrüstung muss von Personen, die in der richtigen Anwendung geschult sind, installiert und verwendet werden. Dieses Handbuch kann als Teil eines Mitarbeiterschulungsprogramms bzw. für örtliche Regelungen verwendet werden. Es unterliegt der Verantwortung der Benutzer und Installateure dieser Ausrüstung, sicherzustellen, dass sie mit diesen Anweisungen vertraut sind und bezüglich korrekter Pflege und Einsatzweise geschult wurden. Zudem müssen sie die Betriebsmerkmale, Anwendungseinschränkungen und die Folgen eines nicht ordnungsgemäßen Gebrauchs dieser Ausrüstung kennen.
- 1.5 RETTUNGSPLAN:** Bei Verwendung des Auslegers sowie daran befestigter Absturzsicherungen muss der Arbeitgeber einen Rettungsplan und die Mittel zu dessen Durchführung sowie zur Weitergabe dieses Plans an die Anwender vorsehen. Es wird empfohlen, vor Ort ein ausgebildetes Rettungsteam bereitzuhalten. Die Teammitglieder sind mit den nötigen Geräten und Techniken für eine erfolgreiche Rettung auszustatten. Es sollten regelmäßig Schulungen durchgeführt werden, damit die Befähigung des Rettungsteams stets gewährleistet ist.
- 1.6 INSPEKTIONSHÄUFIGKEIT:** Die HC-Auslegerbaugruppe für enge Räume muss vom Anwender vor jeder Benutzung und zusätzlich mindestens jährlich von einem Sachkundigen, der nicht der Anwender ist, inspiziert werden.³ Die Prüfverfahren werden im „Inspektions- und Wartungsprotokoll“ beschrieben. Tragen Sie die Ergebnisse jeder Inspektion durch einen Sachkundigen in das „Inspektions- und Wartungsprotokoll“ ein.

2.0 SYSTEMVORAUSSETZUNGEN

- 2.1 KOMPATIBILITÄT DER BAUTEILE:** Die Geräte von 3M sind ausschließlich zur Verwendung mit anderen von 3M freigegebenen Bauteilen und Teilsystemen ausgelegt. Ein Austausch gegen nicht genehmigte Bauteile oder Teilsysteme kann die Kompatibilität der Ausrüstung und die Sicherheit und Zuverlässigkeit des gesamten Systems gefährden.
- 2.2 DIE MIT DIESEM SYSTEM VERWENDETEN PERSÖNLICHEN SCHUTZAUSRÜSTUNGEN GEGEN ABSTURZ (PSAGA) MÜSSEN DIE GELTENDEN ABSTURZSICHERUNGSNORMEN, -VORSCHRIFTEN UND -ANFORDERUNGEN ERFÜLLEN. DIE PSAGA MUSS EINEN GANZKÖRPER-AUFFANGGURT BEINHALTEN UND DIE ABSTURZBREMSKRAFT AUF DIE FOLGENDEN WERTE BEGRENZEN:**

	Maximale Bremskraft	Freier Fall:
PSAGa mit Verbindungsmittel mit Falldämpfer	6 kN (1.350 lb)	Sehen Sie die Anweisung(en), die mit dem Verbindungsmittel oder die SRD für Begrenzungen eines freien Falls mitgeliefert wird/werden.
Selbstaufrollende PSAGa	6 kN (1.350 lb)	

1 Sachkundiger: Eine Person, die in der Lage ist, bestehende und vorhersehbare Risiken in der Umgebung oder bei Arbeitsbedingungen zu erkennen, die für Mitarbeiter gesundheitsgefährdend, gefährlich oder risikoreich sind, und die befugt ist, sofort korrigierende Maßnahmen zu ergreifen, um diese Risiken und Gefährdungen zu beseitigen.

2 Qualifizierte Person: Eine Person mit einem anerkannten Diplom oder einem professionellen Abschluss und umfangreicher Erfahrung in der Absturzsicherung. Diese Person muss in der Lage sein, Absturzsicherungen zu konstruieren, zu analysieren, zu bewerten und Spezifikationen dafür zu erstellen.

3 Inspektionshäufigkeit: Extreme Arbeitsbedingungen (raue Umweltbedingungen, andauernde Verwendung usw.) können eine häufigere Inspektion durch einen Sachkundigen erforderlich machen.

3.0 INSTALLATION

3.1 PLANUNG: Planen Sie Ihr Absturzsicherungssystem vor der Verwendung und Installation der HC-Auslegerbaugruppe für enge Räume. Berücksichtigen Sie alle Faktoren, die Ihre Sicherheit vor, während und nach einem Absturz beeinträchtigen könnten.

- Planen Sie Ihr Arbeitsprogramm vor Beginn der Arbeiten. Stellen Sie die für die Arbeiten benötigten Personen, Verfahren und die benötigte Ausrüstung zur Verfügung.
- Arbeiten Sie immer in Teams. Eine Person, die angehoben oder abgesenkt wird, und eine weitere zum Ausgeben und Aufwickeln des Seils.
- Tragen Sie eine geeignete Schutzausrüstung, wie z. B. einen Schutzhelm, eine Schutzbrille, Sicherheitsschuhe mit rutschfester Sohle, schwere Handschuhe, Schutzbekleidung und einen Gesichtsschutz.
- Verlängerungen des Mastes der HC-Auslegerbaugruppe für enge Räume können nicht übereinander angeordnet werden. Pro Auslegerfuß kann maximal eine Mastverlängerung benutzt werden.
- Alle Befestigungsteile und Beschläge der Winde und der Sicherungsseile mit automatischem Rückzug müssen von 3M Fall Protection geliefert oder genehmigt werden.
- Verankern Sie die Winde fest vor ihrer Verwendung.
- Systembenutzer müssen einen Auffanggurt verwenden.
- Verwenden Sie nur Geräte mit automatischem Rückzug oder Falldämpfer mit einer Maximalbremskraft, die kleiner oder gleich der geringsten Nennbelastung einer Komponente in Ihrem System ist.
- Automatische Rückzuggeräte oder Falldämpfer müssen gemäß den Anweisungen des Herstellers installiert und verwendet werden.
- Modulare Komponenten sind mit deren Tragfähigkeit und Nennbelastung gekennzeichnet, mit denen sie entwickelt, geprüft und hergestellt worden sind. Die Nennbelastung eines Systems ergibt sich aus der niedrigsten Nennbelastung einer Systemkomponente. Verwenden Sie keine Ausrüstungsgegenstände, deren Belastungsaufkleber beschädigt oder nicht lesbar sind. Neue Aufkleber sind von 3M Fall Protection erhältlich.
- Die HC-Auslegerbaugruppe für enge Räume sollte aus dem Arbeitsbereich entfernt werden, wenn sie nicht mehr gebraucht wird.

3.2 INSTALLATION DER HC-AUSLEGERBAUGRUPPE FÜR ENGE RÄUME:

1. (Abbildung 3) Führen Sie die Mastverlängerung der HC-Auslegerbaugruppe für enge Räume in einen installierten 3M HC-Auslegerfuß ein. (Beschreibungen des 3M-Fußes finden Sie in Tabelle 1) Zur Befestigung des Auslegerfußes an der Verankerungsstruktur befolgen Sie die Auslegerfuß-Installationsanweisungen.
2. Bringen Sie die Auslegerkopf-Baugruppe an der Universalbaugruppe an.
 - a. (Abbildung 4a) Führen Sie das Auslegerkopf-Winkelrohr (A) in die Rohrschweißkonstruktion der Universalbaugruppe (B) ein. Benutzen Sie den Sperrstift (C), um das Winkelrohr in der Rohrschweißkonstruktion zu sichern.
 - b. (Abbildung 4b) Benutzen Sie den Anhängerstift (D), um das Rohr des Auslegerkopfarmes zwischen den Seitenplatten (E) der Universalbaugruppe zu befestigen. Sichern Sie den Anhängerstift mit dem Achsenagel, der mit der gegenüberliegenden Seite der Universalbaugruppe verbunden ist.
3. (Abbildung 5) Positionieren Sie die zusammengesetzte Auslegerarm- und Universalbaugruppe an der Mastverlängerung. Der untere Rand des Auslegerarmrohrs muss die Kante der Mastverlängerung berühren. Positionieren Sie die Kerbe am unteren Rand des Auslegerarmrohrs mittig über die Schraube, die sich an der Kante der Mastverlängerung befindet.
4. (Abbildung 6) Zur Anpassung der Länge der Auslegerarmverlängerung stehen vier Positionen zur Verfügung. Entfernen Sie den Sperrstift (A) und schieben Sie die Auslegerarmverlängerung ein oder aus, um die gewünschte Länge zu erreichen. Der Auslegerarm muss in dieser Verlängerungsposition mit dem Sperrstift (A) gesichert werden. Führen Sie den Sperrstift ganz ein.
5. (Abbildung 7) Zur Einstellung des Winkels des Auslegerarms stehen drei Positionen zur Verfügung. Entfernen Sie den Sperrstift (C) und schieben Sie das Winkelrohr (A) in die Rohrschweißkonstruktion (B) hinein oder aus ihr heraus. Das Winkelrohr muss mit dem Sperrstift (C) gesichert werden. Führen Sie den Sperrstift ganz ein.
6. (Abbildung 8) Installieren Sie die Winde gemäß den Herstelleranweisungen. Die Winde wird mit der Windenhalterung montiert, die in der Universalbaugruppe enthalten ist. Das Windenseil wird normalerweise über die hintere Umlenkrolle (A) an der Universalbaugruppe und die obere Umlenkrolle (B) an der Vorderseite des Auslegerarms geführt. Eine alternative und/oder zusätzliche Anordnung, die an der Vorderseite montiert wird, ist möglich. Siehe Abschnitt 3.3.

3.3 WINDENHALTERUNG 8000117:

1. (Abbildung 9) Eine an der Vorderseite montierte Winde oder HSG kann an der Mastverlängerung der HC-Auslegerbaugruppe für enge Räume angebaut werden, indem eine zweite Windenhalterung 8000117 (separat erhältlich) installiert wird. Sichern Sie die Windenhalterung (A) an der Mastverlängerung mit den beiden Windenhalterungssperrstiften (B). Das Winden- oder HSG-Seil verwendet die vordere Umlenkrolle (C) an der Universalbaugruppe und die untere vordere Umlenkrolle (D) am Auslegerarm.

3.4 BEFESTIGUNGSPUNKTE DER U-HALTERUNG:

(Abbildung 10) Die beiden Befestigungspunkte der U-Halterung (A und B) können zur Absturzsicherung, zur Rettung oder zum Materialtransport benutzt werden. Bei Verwendung des U-Halterungsbefestigungspunktes A darf der horizontale Abstand vom Auslegerfuß nicht größer sein als 38 cm (15 in).

4.0 EINSATZ

4.1 VOR JEDEM EINSATZ: Stellen Sie sicher, dass Ihr Arbeitsbereich und Ihre Persönliche Schutzausrüstung gegen Absturz (PSAgA) alle in Abschnitt 2 definierten Kriterien erfüllen und dass ein formaler Rettungsplan vorhanden ist. Inspizieren Sie die HC-Auslegerbaugruppe für enge Räume anhand der 'Benutzer'-Inspektionspunkte, die im „*Inspektions- und Wartungsprotokoll*“ in diesem Handbuch angegeben sind. Wenn bei der Inspektion unsichere oder defekte Zustände festgestellt werden, verwenden Sie das System nicht. Nehmen Sie das System außer Betrieb und zerstören Sie es oder kontaktieren Sie 3M für einen Ersatz oder eine Reparatur.

5.0 INSPEKTION

5.1 INSPEKTIONS-HÄUFIGKEIT: Die HC-Auslegerbaugruppe für enge Räume muss in den in Abschnitt 1 angegebenen Intervallen inspiziert werden. Die Prüfverfahren sind im „*Inspektions- und Wartungsprotokoll*“ beschrieben. Inspizieren Sie alle anderen Bauteile des Absturzsicherungssystems in den Zeitabständen und nach den Verfahren, die in den Herstelleranleitungen definiert sind.

5.2 DEFEKTE: Falls bei der Inspektion ein Sicherheitsproblem oder ein Defekt festgestellt wird, nehmen Sie die HC-Auslegerbaugruppe für enge Räume unverzüglich außer Betrieb und kontaktieren Sie 3M, um eine Reparatur oder einen Austausch zu veranlassen. Versuchen Sie nicht, das Absturzsicherungssystem zu reparieren.

Nur autorisierte Reparaturen: Nur 3M oder Dritte, die hierzu schriftlich autorisiert sind, dürfen Reparaturen an dieser Ausrüstung vornehmen.

5.3 PRODUKT-LEBENSZYKLUS: Die Haltbarkeit der HC-Auslegerbaugruppe für enge Räume hängt von den Arbeitsbedingungen und der Wartung ab. Solange das Produkt die Inspektionskriterien erfüllt, kann es in Betrieb bleiben.

6.0 WARTUNG, REPARATUR UND LAGERUNG

6.1 REINIGUNG: Reinigen Sie die Metallbauteile der HC-Auslegerbaugruppe für enge Räume regelmäßig mit einer weichen Bürste, warmem Wasser und einer milden Seifenlösung. Stellen Sie sicher, dass die Teile sorgfältig mit viel klarem Wasser gespült werden.

6.2 WARTUNG: Nur 3M oder Dritte, die hierzu von 3M schriftlich autorisiert sind, dürfen Reparaturen an dieser Ausrüstung vornehmen. Falls die HC-Auslegerbaugruppe für enge Räume Fallkräften ausgesetzt war oder bei der Überprüfung ein Sicherheitsproblem oder ein Defekt festgestellt wird, nehmen Sie das System außer Betrieb und kontaktieren Sie 3M, um eine Reparatur oder einen Austausch zu veranlassen.

6.3 LAGERUNG UND TRANSPORT: Lagern Sie die HC-Auslegerbaugruppe für enge Räume und die entsprechende Absturzsicherungsausrüstung bei Nichtgebrauch an einem kühlen, trockenen, sauberen Ort, wo sie vor direkter Sonneneinstrahlung geschützt ist. Dasselbe gilt für den Transport. Setzen Sie das Produkt keinen chemischen Dämpfen aus. Überprüfen Sie die Komponenten nach langer Lagerung gründlich.

7.0 ETIKETTEN

Abbildung 11 zeigt die Etiketten auf der HC-Auslegerbaugruppe für enge Räume. Die Etiketten müssen ersetzt werden, wenn sie nicht vollständig lesbar sind.

Lea, comprenda y cumpla con todo lo dispuesto en la información de seguridad contenida en estas instrucciones antes de utilizar este dispositivo de entrada/rescate en espacios confinados. SI NO LO HACE, PUEDE SUFRIR GRAVES LESIONES O LA MUERTE.

Estas instrucciones deben entregarse al usuario de este equipo. Conserve las instrucciones para futuras consultas.

Uso previsto:

Este dispositivo de entrada/rescate en espacios confinados está pensado para ser utilizado como parte de un sistema completo de protección contra caídas o sistema de rescate.

El empleo en cualquier otra aplicación, entre otras, las aplicaciones no aprobadas en la manipulación de materiales, actividades de recreo o deportivas, u otras actividades no descritas en las instrucciones para el usuario o en las instrucciones de instalación, no está aprobado por 3M y puede provocar lesiones graves o la muerte.

Este dispositivo solo deben usarlo usuarios formados en su utilización en aplicaciones dentro del lugar de trabajo.

ADVERTENCIA

Este dispositivo de entrada/rescate en espacios confinados es parte de un sistema completo de protección contra caídas o sistema de rescate. Se espera que todos los usuarios se hayan formado completamente en la instalación y uso seguro del sistema completo. **El mal uso de este dispositivo puede provocar lesiones graves o la muerte.** Para una adecuada selección, uso, instalación mantenimiento, inspección y reparación, consulte las instrucciones del producto y todas las recomendaciones del fabricante, contacte con su supervisor o con el servicio técnico de 3M.

- **Para reducir los riesgos asociados con trabajar con dispositivos de entrada/rescate en espacios confinados que, si no se evitan, pueden provocar lesiones graves o la muerte:**
 - Inspeccione el dispositivo antes de cada uso, al menos, con una periodicidad anual, y después de que el sistema haya soportado una caída. Realice la inspección según las instrucciones del producto.
 - Si la inspección revela una situación poco segura o algún defecto, retire el dispositivo del servicio, repárelo o reemplácelo, según se indique en estas instrucciones.
 - Cualquier dispositivo que haya estado sometido a una fuerza de detención de caídas o impacto deberá retirarse inmediatamente del servicio. Consulte las Instrucciones para el usuario o póngase en contacto con 3M Fall Protection.
 - El dispositivo debe instalarse solo de la forma detallada en las instrucciones de instalación o en las instrucciones del usuario. La instalación y uso fuera del alcance de las instrucciones deben ser aprobados por escrito por 3M Fall Protection.
 - El sustrato o la estructura a la que se fije el dispositivo debe poder soportar las cargas estáticas especificadas para el dispositivo en las orientaciones permitidas en las instrucciones del usuario o en las instrucciones de instalación.
 - No exceda el número de usuarios permitidos.
 - Nunca trabaje bajo una carga o un trabajador suspendidos.
 - Tenga precaución al instalar, usar y trasladar el dispositivo, ya que las partes móviles pueden crear posibles puntos de enganche. Consulte las instrucciones del usuario.
 - Asegúrese de que se han seguido los procedimientos de bloqueo/etiquetado aplicables adecuados.
 - No se conecte nunca a un sistema hasta que esté posicionado, completamente montado, ajustado e instalado. No ajuste el sistema cuando haya un usuario conectado.
 - Conecte solo subsistemas de protección contra caídas en el punto conector de anclaje designado del dispositivo.
 - Antes de taladrar o ajustar, asegúrese de que no hay cables eléctricos, tuberías de gas u otros sistemas críticos que puedan entrar en contacto con el taladro o el dispositivo.
 - Asegúrese de que los sistemas/subsistemas de protección contra caídas conectados con componentes hechos por distintos fabricantes son compatibles y cumplen los requisitos de las normas aplicables, incluyendo los ANSI Z359 u otros códigos, normas o requisitos de protección contra caídas aplicables. Consulte siempre con personal cualificado o competente antes de usar estos sistemas.

- **Para reducir los peligros asociados con el trabajo en altura que, si no se evitan, pueden provocar lesiones graves o la muerte:**
 - Asegúrese de que su salud y condición física le permiten resistir con seguridad todas las fuerzas asociadas con el trabajo en altura. Consulte con su médico si tiene alguna pregunta con respecto a su capacidad para utilizar este equipo.
 - Nunca exceda la capacidad de carga de su equipo de protección contra caídas.
 - Nunca exceda la distancia máxima de caída libre de su equipo de protección contra caídas.
 - No utilice ningún equipo de protección contra caídas que haya fallado antes de usarse o no haya pasado otras inspecciones programadas, o si tiene dudas sobre el uso o la idoneidad del equipo para su aplicación. Póngase en contacto con los servicios técnicos de 3M si tiene cualquier pregunta.
 - Algunas combinaciones de subsistemas y componentes pueden perjudicar el funcionamiento del equipo. Use solo conectores compatibles. Consulte con 3M antes de emplear este equipo con componentes o subsistemas distintos de los descritos en las instrucciones para el usuario.
 - Extreme la precaución cuando se encuentre alrededor de maquinaria en movimiento (p. ej., mecanismos de activación superiores de plataformas petrolíferas), cuando existan riesgos eléctricos, temperaturas extremas, peligros químicos, gases explosivos o tóxicos, bordes afilados o materiales que se encuentren por encima de usted y que podrían caer sobre usted o sobre el equipo de protección contra caídas.
 - Use dispositivos para trabajos en caliente o arco eléctrico cuando trabaje en ambientes a altas temperaturas.
 - Evite superficies y objetos que puedan dañar al usuario o al equipo.
 - Asegúrese de que haya una distancia de caída adecuada cuando trabaje en altura.
 - Nunca modifique o altere su equipo de protección contra caídas. Sólo 3M o las partes autorizadas por escrito por 3M pueden reparar el equipo.
 - Antes de usar el equipo de protección contra caídas, asegúrese de que existe un plan de rescate que permita un rápido rescate si se produce un incidente de caída.
 - Si hubiese un incidente de caída, busque atención médica inmediatamente para el trabajador que se haya caído.
 - No utilice un cinturón corporal para las aplicaciones de detención de caídas. Use sólo un arnés de cuerpo completo.
 - Trabaje en un lugar situado lo más directamente posible por debajo del punto de anclaje para minimizar la posibilidad de caídas con balanceo.
 - Si se está formando con este dispositivo, se debe utilizar un sistema de protección contra caídas secundario de manera que no exponga al aprendiz a un riesgo de caída involuntaria.
 - Lleve siempre el equipo de protección individual apropiado cuando instale, use o inspeccione el dispositivo/sistema.

Antes de instalar y utilizar este equipo, anote los datos identificativos del producto, indicados en la etiqueta de identificación, en la sección "Registro de inspección y mantenimiento" (2), dispuesta al final de este manual.

DESCRIPCIÓN DEL PRODUCTO:

En la Figura 1 se ilustra el conjunto de pescante de alta capacidad para espacios confinados 3M™. El conjunto de pescante de alta capacidad para espacios confinados sirve para izar o bajar a un trabajador a una zona de trabajo y proporcionar un punto de conexión de anclaje de protección contra caídas o de rescate. Estas instrucciones se aplican a los siguientes componentes del conjunto de pescante de alta capacidad para espacios confinados:

- (A) Pescante de alta capacidad de corto alcance (n.º de pieza 8000107), pescante de alta capacidad de largo alcance (n.º de pieza 8000108).
- (B) Cuatro longitudes de extensión del mástil disponibles.
- (C) Conjunto universal (n.º de pieza 8000109).
- (D) Brazo con desplazamiento de corto alcance (n.º de pieza 8000110), (E) brazo con desplazamiento de largo alcance (n.º de pieza 8000111).
- (F) Soporte del cabestrante (n.º de pieza 8000117; incluido con el conjunto universal para el cabestrante o SRL de montaje trasero; soporte del cabestrante adicional —n.º de pieza 8000117— necesario para el cabestrante o SRL de montaje delantero).

El mástil del conjunto de pescante de alta capacidad para espacios confinados se instala en una base 3M adecuada, disponible por separado. Consulte la Tabla 1: Especificaciones.

Un ingeniero cualificado deberá encargarse de aprobar la instalación de la base en función de si esta cumple las normas nacionales. Consulte las instrucciones de instalación de la base. Las extensiones de mástil del conjunto de pescante de alta capacidad para espacios confinados no se pueden apilar. Solo se puede utilizar una única extensión de mástil por cada base de pescante.

Tabla 1: Especificaciones

Especificaciones del sistema:			
Capacidad:	Protección contra caídas: Clasificado conforme a las normas EN 795:2012 y CEN/TS 16415:2013 para uno o dos usuarios.		
	Rescate: Clasificado conforme a la norma EN 1496:2006 para un solo usuario con un peso máximo combinado de 140 kg (310 lb), incluidos herramientas y equipo, sobre el cabo durante su funcionamiento.		
	Manipulación de materiales: 205 kg (450 lb) cuando se utilice con una base portátil de alta capacidad 3M (de tres piezas, con enganche para camiones o para carro de contrapeso), y una capacidad de 340 kg (750 lb) cuando se utilice con una base permanente de alta capacidad 3M (montaje en suelos, montaje en pared, montaje para cubierta o montaje de núcleo). Consulte las especificaciones de Capacidad de manipulación de materiales, dispuestas más adelante:		
	Capacidad de manipulación de materiales (kg, lb)	Descripción de bases 3M	N.º de pieza de 3M
	205 kg (450 lb)	Base de tres piezas de corto alcance	8000104
	205 kg (450 lb)	Base de tres piezas de largo alcance	8000105
	205 kg (450 lb)	Base de enganche para camiones	8000103
	205 kg (450 lb)	Base para carro de contrapeso	8000106
	340 kg (750 lb)	Base para montaje en suelos	8000095: acero galvanizado 8000096: acero inoxidable
	340 kg (750 lb)	Base para montaje en pared	8000101: acero galvanizado 8000102: acero inoxidable
340 kg (750 lb)	Base para montaje en cubierta	8000099: acero galvanizado 8000100: acero inoxidable	
340 kg (750 lb)	Base para montaje de núcleo	8000089: acero galvanizado 8000090: acero inoxidable	
340 kg (750 lb)	Base para montaje de núcleo con placa superior	8000091: acero galvanizado 8000092: acero inoxidable	
Dimensiones:	Consulte la Figura 1 para ver las dimensiones de los componentes del conjunto de pescante de alta capacidad para espacios confinados.		
Peso del producto:	Consulte la Figura 1 para ver el peso de los componentes del conjunto de pescante de alta capacidad para espacios confinados.		
Certificación:	Certificaciones de los brazos pescantes de alta capacidad y de las extensiones del mástil de alta capacidad cuando se usan con bases portátiles o permanentes		
	Bases portátiles	EN 795:2012 CEN/TS 16415:2013	EN 1496:2006
	Base de tres piezas (8000104, 8000105)	Certificado (Tipo B)	Conforme (Clase B)
	Base con enganche para camiones (8000103)	Certificado (Tipo B)	Conforme (Clase B)
	Base para carro de contrapeso (8000106)	Certificado (Tipo B)	Conforme (Clase B)
	Bases permanentes		
	Base para montaje en suelos (8000095, 8000096)	Conforme (Tipo A)	Conforme (Clase B)
	Base para montaje en pared (8000101, 8000102)	Conforme (Tipo A)	Conforme (Clase B)
	Base para montaje en cubierta (8000099, 8000100)	Conforme (Tipo A)	Conforme (Clase B)
	Base para montaje de núcleo (8000089, 8000090)	Conforme (Tipo A)	Conforme (Clase B)
Base para montaje con placa superior (8000091, 8000092)	Conforme (Tipo A)	Conforme (Clase B)	

Tabla 1: Especificaciones

Las especificaciones de materiales de los componentes del conjunto de pescante de alta capacidad para espacios confinados se recogen en la Figura 2.		
Referencia de la Figura 2	Componente	Materiales
(A)	Brazo pescante	Aluminio 6061-T6
(B)	Pasador de fijación	Acero galvanizado
(C)	Polea trasera del pescante	Acetal negro
(D)	Polea del brazo pescante (2)	Delrin
(E)	Polea inferior del brazo pescante	Delrin
(F)	Soporte en forma de U (2)	Acero inoxidable
(G)	Extensión del mástil del pescante	Aluminio 6061 y acero galvanizado
(H)	Soporte del cabrestante	Acero galvanizado

1.0 APLICACIÓN DEL PRODUCTO

- 1.1 PROPÓSITO:** El conjunto de pescante de alta capacidad para espacios confinados sirve para izar o bajar a un trabajador a una zona de trabajo y proporcionar un punto de conexión de anclaje de protección contra caídas o de rescate.
- 1.2 NORMAS:** Este conjunto de pescante de alta capacidad para espacios confinados cumple las normas nacionales o regionales identificadas en la portada y en la Tabla 1 de estas instrucciones. Si se revende este producto fuera del país de destino original, el revendedor deberá proporcionar estas instrucciones en el idioma del país en donde se vaya a utilizar el producto.
- 1.3 INSTALACIÓN Y SUPERVISIÓN:** Una persona competente deberá supervisar la instalación del conjunto de pescante de alta capacidad para espacios confinados¹. Una persona cualificada² deberá verificar que la instalación estructural cumpla con la normativa nacional y federal.
Una persona cualificada deberá recomendar los dispositivos de fijación adecuados y el emplazamiento idóneo del conjunto de pescante de alta capacidad para espacios confinados.
Una persona competente deberá supervisar el uso del pescante y del equipo de protección contra caídas acoplado.
- 1.4 FORMACIÓN:** La instalación y el uso de este equipo deberán correr a cargo de personas que hayan recibido formación sobre su correcta aplicación. El presente manual se puede utilizar como parte de cualquier programa de formación de empleados o como normativa regional. Es responsabilidad de los usuarios y los instaladores de este equipo familiarizarse con las presentes instrucciones, recibir formación en cuanto al cuidado y uso correcto de este y conocer las características de funcionamiento, las limitaciones de uso y las consecuencias del uso indebido del mismo.
- 1.5 PLAN DE RESCATE:** Al utilizar el equipo de protección contra caídas conectado y el pescante, el empleador deberá disponer de un plan de rescate y de los medios para implementarlo, así como para comunicarlo a los usuarios. Se recomienda tener en el centro un equipo de rescate con formación. Se deben proporcionar a los miembros del equipo las técnicas y el equipo para llevar a cabo un rescate con éxito. Se debe proporcionar de forma periódica formación a los responsables del rescate para garantizar su competencia.
- 1.6 FRECUENCIA DE INSPECCIÓN:** El conjunto de pescante de alta capacidad para espacios confinados deberá ser sometido a revisión por el usuario antes de cada uso y, además, por una persona competente que no sea el usuario a intervalos no superiores a un año.³ Los procedimientos de inspección se describen en la sección "Registro de inspección y mantenimiento". Los resultados de la inspección de todas y cada una de las personas competentes deben registrarse en copias del "Registro de inspección y mantenimiento".

2.0 REQUISITOS DEL SISTEMA

- 2.1 COMPATIBILIDAD DE COMPONENTES:** El equipo 3M está diseñado para su uso solo con otros componentes y subsistemas aprobados por 3M. Las sustituciones que se hagan con componentes o subsistemas no aprobados pueden poner en peligro la compatibilidad del equipo y afectar a la seguridad y la fiabilidad de todo el sistema.
- 2.2 SISTEMAS PERSONALES DE DETENCIÓN DE CAÍDAS:** Los sistemas personales de detención de caídas (PFAS) utilizados con este equipo deberán cumplir los requisitos, los códigos y las normas, que sean aplicables en materia de protección contra caídas. El PFAS deberá incorporar un arnés de cuerpo completo y limitar la fuerza de detención a los siguientes valores:

	Fuerza máxima de detención	Caída libre
PFAS con eslinga de absorción de impacto	6 kN (1350 lb)	Consulte las instrucciones incluidas con su eslinga o SRD para conocer las limitaciones de caída libre.
PFAS con dispositivo autorretráctil (SRD)	6 kN (1350 lb)	

1 Persona competente: Individuo que es capaz de identificar peligros existentes y predecibles en el entorno o condiciones de trabajo insalubres, nocivas o peligrosas para los/las empleados/as y que cuenta con autorización para tomar medidas correctivas rápidas conducentes a su supresión.

2 Personal cualificado: Individuos debidamente cualificados o con certificación profesional y experiencia suficiente en sistemas de protección anticaídas. Estas personas deberán ser capaces de diseñar, analizar, evaluar y especificar sistemas de protección anticaídas.

3 Frecuencia de inspección: Las condiciones de trabajo extremas (entornos hostiles, uso prolongado, etc.) pueden requerir que se incremente la frecuencia de las inspecciones que realizan las personas competentes.

3.0 INSTALACIÓN

- 3.1 PLANIFICACIÓN:** Planifique su sistema de protección contra caídas antes de usar e instalar el conjunto de pescante de alta capacidad para espacios confinados. Tenga en cuenta todos los factores que podrían afectar a su seguridad antes, en el transcurso y después de una caída.

- Planifique su programa de trabajo antes de comenzar. Tenga disponibles a la gente, el equipo y los procedimientos necesarios para realizar el trabajo.*
- Trabaje siempre en equipo. Una persona es izada o arriada y la otra le pasa la cuerda y la repliega.*
- Lleve el equipo de protección adecuado, por ejemplo: casco duro, gafas de seguridad, calzado de protección con suela resistente al deslizamiento, guantes pesados, ropa protectora y una máscara facial.*
- Las extensiones del mástil del conjunto de pescante de alta capacidad para espacios confinados no se pueden apilar. Solo se puede utilizar una única extensión de mástil por cada base de pescante.*
- Todas las piezas de montaje de cabestrantes y SRL deberán ser suministradas o aprobadas por 3M Fall Protection.*
- Ancle el cabestrante firmemente antes de usarlo.*
- Los usuarios del sistema deberán utilizar un arnés de cuerpo completo que esté homologado.*
- Utilice únicamente dispositivos plegables o amortiguadores que tengan una fuerza máxima de frenado de caída igual o inferior a la del componente del sistema que tenga la capacidad nominal más baja.*
- Los dispositivos plegables o amortiguadores deberán ser instalados y utilizados de acuerdo con las instrucciones del fabricante.*
- Los componentes modulares están etiquetados con las capacidades y regímenes de trabajo con que fueron diseñados, probados y fabricados. Se considera que el régimen de trabajo de cualquier sistema es el del componente del sistema que tenga la capacidad nominal más baja. No utilice el equipo si las etiquetas que muestran el régimen de trabajo están dañadas o son ilegibles. 3M Fall Protection dispone de nuevas etiquetas.*
- El conjunto de pescante de alta capacidad para espacios confinados debe ser retirado del lugar de trabajo una vez que deje de ser necesario.*

3.2 INSTALACIÓN DEL CONJUNTO DE PESCANTE DE ALTA CAPACIDAD PARA ESPACIOS CONFINADOS

1. Figura 3: Introduzca la extensión del mástil del conjunto de pescante de alta capacidad para espacios confinados en una base de pescante de alta capacidad 3M que esté montada. (Consulte la Tabla 1 para ver las descripciones de las bases 3M.) Siga las instrucciones de instalación de la base de pescante destinadas a asegurar dicha base a la estructura de anclaje.
2. Conecte el conjunto del extremo del pescante al conjunto universal:
 - a. Figura 4a: Inserte el tubo de pliegue del extremo del pescante (A) en la soldadura de pliegue del conjunto universal (B). Utilice el pasador de fijación (C) para asegurar el tubo de pliegue en la soldadura de pliegue.
 - b. Figura 4b: Utilice el pasador de enganche (D) para acoplar el tubo del brazo del extremo del pescante entre las placas laterales (E) del conjunto universal. Fije el pasador de enganche con el pasador con anillo abatible que está conectado al lado opuesto del conjunto universal.
3. Figura 5: Coloque el conjunto universal/brazo pescante sobre la extensión del mástil. El borde inferior del tubo del brazo pescante deberá de estar en contacto con el saliente de la extensión del mástil. Centre la hendidura que hay la parte inferior del tubo del brazo pescante con el tornillo ubicado en el saliente de la extensión del mástil.
4. Figura 6: La longitud de la extensión del brazo pescante se puede ajustar a una de las cuatro posiciones existentes. Extraiga el pasador de fijación (A) y deslice la extensión del brazo pescante hacia fuera o hacia dentro hasta que se alcance a la longitud deseada. En esa posición de extensión, el brazo pescante deberá ser asegurado mediante el pasador de fijación (A). Inserte completamente el pasador de fijación.
5. Figura 7: El ángulo del brazo pescante se puede ajustar a una de las tres posiciones disponibles. Extraiga el pasador de fijación (C) y deslice el tubo de pliegue (A) hacia fuera o hacia dentro de la soldadura de pliegue (B). El tubo de pliegue deberá asegurarse con el pasador de fijación (C). Inserte completamente el pasador de fijación.
6. Figura 8: Monte el cabestrante siguiendo las instrucciones del fabricante. El cabestrante se monta con el soporte de cabestrante que se suministra con el conjunto universal. El cable del cabestrante normalmente se tiende sobre la polea trasera (A) del conjunto universal y la polea superior delantera (B) del brazo pescante. También es posible una configuración alternativa o adicional de montaje frontal. Consulte la sección 3.3.

3.3 SOPORTE DEL CABESTRANTE (N.º DE PIEZA 8000117)

1. Figura 9: Se puede añadir un cabestrante o SRL de montaje frontal a la extensión del mástil del conjunto de pescante de alta capacidad para espacios confinados si se instala un segundo soporte para el cabestrante (n.º de pieza 8000117; se vende por separado). Fije el soporte del cabestrante (A) a la extensión del mástil con los dos pasadores de fijación de dicho soporte (B). El cable del cabestrante o SRL utiliza la polea delantera (C), ubicada en el conjunto universal, y la polea inferior delantera (D), ubicada en el brazo pescante.

3.4 PUNTOS DE FIJACIÓN DEL SOPORTE EN FORMA DE U

Figura 10: Los dos puntos de fijación del soporte en forma de U (A y B) se pueden utilizar con fines de protección anticaídas, rescate o manipulación de materiales. Al utilizar el punto de fijación A del soporte en forma de U, no se puede sobrepasar una distancia horizontal de 38 cm (15 in) con respecto a la base pescante.

4.0 USO

- 4.1 ANTES DE CADA USO:** Asegúrese de que el área de trabajo así como el sistema personal de detención de caídas (PFAS) cumplan todos los criterios definidos en la sección 2 y que se haya implantado un plan de rescate oficial. Revise el conjunto de pescante de alta capacidad para espacios confinados siguiendo los puntos de inspección de "Usuario" definidos en el "Registro de inspección y mantenimiento" de este manual. No utilice el sistema si la inspección revela un estado no seguro o defectuoso. Deje de usarlo y deséchelo, o póngase en contacto con 3M para sustituirlo o repararlo.

5.0 INSPECCIÓN

- 5.1 FRECUENCIA DE INSPECCIÓN:** El conjunto de pescante de alta capacidad para espacios confinados se deberá inspeccionar en los intervalos definidos en la sección 1. Los procedimientos de inspección se describen en la sección "Registro de inspección y mantenimiento". Inspeccione todos los demás componentes del sistema de protección contra caídas según las frecuencias y los procedimientos definidos en las instrucciones del fabricante.
- 5.2 DEFECTOS:** Si la inspección revela un estado no seguro o defectuoso, deje de usar el conjunto de pescante de alta capacidad para espacios confinados inmediatamente y póngase en contacto con 3M para su sustitución o reparación. No intente reparar el sistema de detención de caídas.

Solo reparaciones autorizadas: Solo 3M o las partes autorizadas por escrito podrán reparar este equipo.

- 5.3 VIDA ÚTIL DEL PRODUCTO:** La vida útil del conjunto de pescante de alta capacidad para espacios confinados depende de las condiciones de trabajo y del mantenimiento. Siempre que el producto cumpla los criterios de inspección, este podrá seguir utilizándose.

6.0 MANTENIMIENTO, REPARACIONES Y ALMACENAMIENTO

- 6.1 LIMPIEZA:** Limpie los componentes de metal del conjunto de pescante de alta capacidad para espacios confinados periódicamente con un cepillo suave, agua templada y una solución jabonosa suave. Asegúrese de enjuagar perfectamente las piezas con agua limpia.
- 6.2 REPARACIÓN:** Solo 3M o las partes autorizadas por escrito por 3M podrán reparar este equipo. Si el conjunto de pescante de alta capacidad para espacios confinados se ha visto sometido a fuerzas de caída, o si la inspección revela un estado no seguro o defectuoso, deje de usar el sistema inmediatamente y póngase en contacto con 3M para su sustitución o reparación.
- 6.3 ALMACENAMIENTO Y TRANSPORTE:** Cuando no estén en uso el conjunto de pescante de alta capacidad para espacios confinados y el equipo de protección anticaídas correspondiente, téngalos a un entorno fresco, seco y limpio, alejado de la luz solar directa, y guárdelos en dicho lugar. Evite las zonas donde pueda haber vapores químicos. Inspeccione exhaustivamente los componentes después de un período prolongado de almacenamiento.

7.0 ETIQUETAS

En la Figura 11 se ilustran las etiquetas que lleva el conjunto de pescante de alta capacidad para espacios confinados. Si las etiquetas no son plenamente legibles, deberán sustituirse.

Tabla 2: Registro de inspección y mantenimiento

Fecha de la inspección:		Inspeccionado por:	
Componentes:	Inspección: (Consulte la sección 5 para conocer la frecuencia de las inspecciones.)	Usuario	Persona competente
Conjunto de pescante para espacios confinados (Figuras 1 y 2)	Inspeccione el conjunto de pescante de alta capacidad para espacios confinados en busca de fisuras, mellas o deformaciones.	<input type="checkbox"/>	<input type="checkbox"/>
	Inspeccione todo el equipo para comprobar que no haya corrosión.	<input type="checkbox"/>	<input type="checkbox"/>
	Inspeccione todos los elementos de sujeción para asegurarse de que estén apretados. Apriételos si fuera necesario.	<input type="checkbox"/>	<input type="checkbox"/>
	Haga una inspección para asegurarse de que todos los pasadores estén completamente insertados y que los pasadores de enganche estén correctamente fijados mediante pasadores con anillo abatible.	<input type="checkbox"/>	<input type="checkbox"/>
Etiquetas (Figura 11)	Verifique que todas las etiquetas de seguridad estén correctamente fijadas y sean legibles (consulte "Etiquetas").	<input type="checkbox"/>	<input type="checkbox"/>
PFAS y otros equipos	Los elementos del equipo adicional (arnés, SRL, etc.) para el sistema personal de detención de caídas (PFAS) que se utilice con el pescante deben instalarse e inspeccionarse conforme a las instrucciones del fabricante.	<input type="checkbox"/>	<input type="checkbox"/>

Números de serie:	Fecha de compra:
Número de modelo:	Fecha del primer uso:
Acción correctora/mantenimiento:	Aprobado por:
	Fecha:
Acción correctora/mantenimiento:	Aprobado por:
	Fecha:
Acción correctora/mantenimiento:	Aprobado por:
	Fecha:
Acción correctora/mantenimiento:	Aprobado por:
	Fecha:
Acción correctora/mantenimiento:	Aprobado por:
	Fecha:
Acción correctora/mantenimiento:	Aprobado por:
	Fecha:
Acción correctora/mantenimiento:	Aprobado por:
	Fecha:
Acción correctora/mantenimiento:	Aprobado por:
	Fecha:
Acción correctora/mantenimiento:	Aprobado por:
	Fecha:
Acción correctora/mantenimiento:	Aprobado por:
	Fecha:
Acción correctora/mantenimiento:	Aprobado por:
	Fecha:
Acción correctora/mantenimiento:	Aprobado por:
	Fecha:

Lue, ymmärrä ja noudata kaikkia näissä ohjeissa olevia turvallisuustietoja ennen ahtaisiin tiloihin menemisen / pelastukseen käytettävän laitteen käyttöä. EDELLÄ MAINITUN LAIMINLYÖNTI VOI JOHTAA VAKAAN LOUKKAANTUMISEEN TAI KUOLEMAAN.

Nämä ohjeet tulee antaa näiden varusteiden käyttäjälle. Säilytä nämä ohjeet myöhempää tarvetta varten.

Käyttötarkoitus:

Tämä ahtaisiin tiloihin menemisen / pelastukseen käytettävä laite on tarkoitettu käytettäväksi osana täyttä henkilökohtaista putoamisenesto- tai pelastusjärjestelmää.

Muihin tarkoituksiin käyttäminen mm. muiden kuin hyväksytyjen materiaalien käyttökohteissa, virkistys- tai urheilutoimissa tai muissa toiminnoissa, joita ei kuvata käyttöohjeessa tai asennusohjeessa, ei ole 3M:n sallimaa ja saattaa johtaa vakavaan loukkaantumiseen tai kuolemaan.

Tätä laitetta voivat käyttää ainoastaan koulutetut käyttäjät työskentelytarkoituksiin.

VAROITUS

Tämä ahtaisiin tiloihin menemisen / pelastukseen käytettävä laite on osa henkilökohtaista putoamisenesto- tai pelastusjärjestelmää. Kaikkien käyttäjien odotetaan olevan täysin koulutettuja koko järjestelmän turvallisen asentamisen ja käytön suhteen. **Tämän laitteen väärinkäyttö saattaa johtaa vakavaan loukkaantumiseen tai kuolemaan.** Tietoja asianmukaisesta valinnasta, käytöstä, asennuksesta, ylläpidosta ja huollosta saat tutkimalla kaikkia tuoteohjeita ja kaikkia valmistajan suosituksia, kysymällä esimieheltäsi tai ottamalla yhteyttä 3M:n tekniseen palveluun.

- **Ahtaisiin tiloihin menemisen / pelastukseen käytettävän laitteen kanssa työskentelyyn liittyviä, mahdollisesti vakavan loukkaantumisen tai kuoleman aiheuttavia riskejä voidaan vähentää seuraavin tavoin:**
 - Kaikki järjestelmän komponentit tulee tarkastaa ennen jokaista käyttökertaa, vähintään kerran vuodessa ja jokaisen putoamistapauksen jälkeen. Suorita tarkastus käyttöohjeiden mukaisesti.
 - Jos valtuutetussa tarkastuksessa ilmenee vaarallinen tai viallinen tila, poista laite käytöstä ja korjaa tai vaihda se käyttöohjeiden mukaisesti.
 - Kaikki laitteet, joita on käytetty putoamisen pysäyttämiseen tai joihin on kohdistunut putoamiseneston iskuvoima, on välittömästi poistettava käytöstä. Lisätietoja saa käyttöohjeista tai ottamalla yhteyttä 3M-putoamisenestoon.
 - Laite tulee asentaa ainoastaan asennusohjeissa tai käyttöohjeissa kuvatusti. Muu kuin ohjeen kuvaama asennus tai käyttö tulee hyväksyttäväksi 3M Fall Protectionilla kirjallisesti.
 - Materiaalin tai rakenteen, johon laite kiinnitetään, tulee kannattaa käyttöohjeen tai asennusohjeen laitteelle salliman staattisen kuorman asianmukaisissa suunnissa.
 - Sallittua käyttäjämäärää ei saa ylittää.
 - Älä koskaan työskentele riippuvan kuorman tai työn tekijän alapuolella.
 - Ole varovainen asentaessasi, käyttäessäsi ja siirtäessäsi laitetta, sillä liikkuvat osat voivat aiheuttaa mahdollisia puristumisvaaroja. Katso lisätietoja käyttöohjeista.
 - Varmista, että asianmukaista vahinkokäynnistyksen estoa noudatetaan tarpeen mukaan.
 - Älä koskaan kiinnitäydä järjestelmään ennen kuin se on asetettu paikalleen ja täysin koottu, säädetty ja asennettu. Älä säädä järjestelmää käyttäjän ollessa kiinnitettynä siihen.
 - Kytke putoamiseneston alijärjestelmät ainoastaan laitteen niille määrättyihin ankkurointikiinnityskohtiin.
 - Varmista ennen poraamista tai kiinnittämistä, ettei poran tai laitteen kanssa pääse kosketuksiin sähköjohtoja, kaasujohtoja tai muita tärkeitä sisäisiä järjestelmiä.
 - Varmista, että muiden valmistajien komponenteista kootut putoamisenestojärjestelmät/alijärjestelmät ovat yhteensopivia ja täyttävät asianomaisten standardien vaatimukset, mukaan lukien ANSI Z359 tai muut sovellettavat putoamisenestokoodit, -standardit tai -vaatimukset. Ennen näiden järjestelmien käyttöä tulee aina kääntyä pätevän tai pätevoidyn henkilön puoleen.
 - (TAAVETTI SUOJAKAIDEKORILLA) Taavetin jalustaa tulee käyttää ainoastaan 8548276 kehittyneen taavetin kanssa. Taavetin jalustan kanssa ei saa käyttää mitään muuta taavettia.
 - (TRUKKIKORI) Älä käytä koria ennen kuin kori on täysin asennettu ja kiinnitetty trukkiin korin ja trukin valmistajan ohjeiden mukaisesti.
 - (KOLMIJALAT) Varmista, että turvaköysi ei jää kolmijalan jalkojen ulkopuolelle.
 - (KOLMIJALAT) Älä koskaan käytä kolmijalkaa niin, ettei jalkojen ketjuja ole kiinnitetty paikoilleen tai muuten kolmijalan käyttöohjeiden vastaisesti.
- **Vähentääksesi korkealla työskentelyyn liittyviä riskejä, jotka mahdollisesti voivat aiheuttaa vakavan loukkaantumisen tai kuoleman:**
 - Varmista, että terveydentilasi ja fyysinen kuntosi on tarpeeksi hyvä, jotta pystyt kestämaan kaikki korkealla työskentelyyn liittyvät voimat. Keskustele lääkärisi kanssa, mikäli sinulla on kysyttävää näiden laitteiden käyttöön liittyvistä valmiuksista.
 - Älä koskaan ylitä putoamisenestolaitteiden sallittua kapasiteettia.
 - Älä koskaan ylitä putoamisenestolaitteiden vapaan pudotuksen enimmäisetäisyyttä.
 - Älä käytä putoamisenestolaitteita, jotka eivät läpäise ennen käyttöä tehtäviä tai muita suunniteltuja tarkastuksia tai jos olet huolissasi laitteiden käytöstä tai sopivuudesta käyttötarkoitukseen. Jos sinulla on kysyttävää, ota yhteyttä 3M:n tekniseen palveluun.
 - Jotkut alajärjestelmä- ja osayhdistelmät saattavat häiritä tämän laitteen toimintaa. Käytä vain yhteensopivia liitäntöjä. Ota yhteyttä 3M:ään ennen tämän laitteen käyttöä yhdessä sellaisten osien tai alajärjestelmien kanssa, joita ei kuvata tässä käyttöohjeessa.
 - Ota käyttöön ylimääräisiä varoimenpiteitä työskennellessäsi liikkuvien laitteiden (esim. öljynporaustornien koneistot), sähkövaarojen, korkeiden lämpötilojen, kemiallisten vaarojen, räjähtävien tai myrkyllisten kaasujen tai terävien reunojen läheisyydessä tai mikäli yläpuolellasi on mahdollisesti päällesi tai putoamisenestolaitteen päälle putoavia materiaaleja.
 - Käytä valokaari- tai kuumatyölaitteita, kun työskentelet erittäin kuumissa ympäristöissä.
 - Vältä pintoja ja esineitä, jotka voivat vahingoittaa käyttäjää tai laitteita.
 - Varmista, että korkealla työskennellessä käytössä on riittävä putoamiskorkeus.
 - Älä koskaan muokkaa tai muuta putoamisenestolaitetta. Vain 3M tai sen kirjallisesti valtuuttamat tahot saavat tehdä korjauksia tähän laitteeseen.
 - Ennen putoamisenestolaitteiden käyttöä varmista, että käytössä on pelastussuunnitelma, jonka avulla voidaan toteuttaa nopea pelastus putoamistapaturman tapahtuessa.
 - Jos putoamistapaturma tapahtuu, hae välittömästi lääkinnällistä apua pudonneelle työn tekijälle.
 - Älä käytä vartalovyötä putoamisenestosovelluksissa. Käytä ainoastaan kokovartalovaljaita.
 - Minimoi heilahtavan putoamisen mahdollisuus työskentelemällä niin suoraan ankkurointipisteen alla kuin mahdollista.
 - Mikäli laitteella harjoitellaan, on käytettävä toissijaista putoamisenestojärjestelmää tavalla, joka ei altista koulutettavaa henkilöä tahattomalle putoamiselle.
 - Käytä aina asianmukaisia henkilösuojaimia kun asennat, käytät tai tarkastat laitetta/järjestelmää.

Merkitse ennen tämän tuotteen asennusta ja käyttöä tuotteen tunnistustiedot sen tunnistemerkinnästä tämän käyttöoppaan takana olevaan tarkastus- ja kunnossapitolokiin (2).

TUOTEKUVAUS:

Kuvassa 1 näkyy 3M™:n ahtaisiin tiloihin tarkoitettu korkean kapasiteetin taavettiasennelma. Ahtaisiin tiloihin tarkoitettua korkean kapasiteetin taavettiasennelmaa käytetään työntekijän nostamiseen tai laskemiseen työskentelytilaan sekä putoamisen pysäyttämiseen tai pelastustoimissa käytettävänä kiinnityspisteinä. Tämä käyttöohje koskee seuraavia ahtaisiin tiloihin tarkoitettua korkean kapasiteetin taavettiasennelman osia:

- (A) lyhyen kantaman korkean kapasiteetin taavetti, osanumero 8000107, pitkän kantaman korkean kapasiteetin taavetti, osanumero 8000108
- (B) neljä eri puomijatkkeen pituutta
- (C) yleisasennelma, osanumero 8000109
- (D) lyhyen kantaman sivuvarsi, osanumero 8000110, (e) pitkän kantaman sivuvarsi, osanumero 8000111
- (F) vinssikannake, osanumero 8000117 (sisältyy takakiinnitteisen vinssin tai itsekelautuvan turvaköyden yleisasennelmaan; ylimääräinen vinssikannake 8000117 tarvitaan etukiinnitteiselle vinssille tai itsekelautuvan turvaköydelle).

Ahtaisiin tiloihin tarkoitettua korkean kapasiteetin taavettiasennelman puomi asennetaan asianmukaiseen 3M-jalustaan, saatavana erikseen. Katso taulukko 1 – Tekniset tiedot.

Pätevöidyn teknisen asiantuntijan on hyväksyttävä jalustaan asennus paikallisten säädösten mukaisesti. Katso jalustaan asennusohjeet. Useita ahtaisiin tiloihin tarkoitettua korkean kapasiteetin taavettiasennelman puomijatkkeita ei saa liittää toistensa perään. Kutakin taavettijalustaa kohden saa käyttää enintään yhtä puomijatketta.

Taulukko 1 – Tekniset tiedot

Järjestelmän tekniset tiedot:																																	
Kapasiteetti:	<p>Putoamisen estäminen: EN795:2012 ja CEN/TS 16415:2013 luokiteltu yhdelle tai kahdelle käyttäjälle. Pelastusoisimet: EN1496:2006-luokitus yhdelle käyttäjälle, jonka kokonaispaino on 140 kg (310 lbs) sisältäen työkalut ja varusteet, käyttäjän ollessa kiinnitettynä vaijeriin käytön aikana. Materiaalien käsittely: 205 kg (450 lbs) käytettäessä missä tahansa 3M:n korkean kapasiteetin siirrettävässä jalustassa (kolmiosainen tai kuorma-auton hinauskoukkuun tai vastapainokärryyn kiinnitettävä) ja 340 kg:n (750 lbs) enimmäiskantavuus käytettäessä missä tahansa 3M:n korkean kapasiteetin kiinteässä jalustassa (lattiaan, seinään, tasolle tai ytimeen kiinnitettävät). Alta löytyvät materiaalien käsittelyn enimmäiskantavuuksien tekniset tiedot:</p>																																
	Materiaalien käsittelyn enimmäiskantavuus (kg, lbs)	3M-jalustan kuvaus	3M-jalustan osanumero																														
	205 kg (450 naulaa)	Lyhyen kantaman kolmiosainen jalusta	8000104																														
	205 kg (450 naulaa)	Pitkän kantaman kolmiosainen jalusta	8000105																														
	205 kg (450 naulaa)	Kuorma-auton hinauskoukkuun kiinnitettävä jalusta	8000103																														
	205 kg (450 naulaa)	Vastapainokärryyn kiinnitettävä jalusta	8000106																														
	340 kg (750 naulaa)	Lattiaan kiinnitettävä jalusta	8000095 – galvanoitu 8000096 – ruostumaton																														
	340 kg (750 naulaa)	Seinään kiinnitettävä jalusta	8000101 – galvanoitu 8000102 – ruostumaton																														
	340 kg (750 naulaa)	Tasoon kiinnitettävä jalusta	8000099 – galvanoitu 8000100 – ruostumaton																														
	340 kg (750 naulaa)	Ytimeen kiinnitettävä jalusta	8000089 – galvanoitu 8000090 – ruostumaton																														
	340 kg (750 naulaa)	Ytimeen kiinnitettävä, ylälevyllä varustettu jalusta	8000091 – galvanoitu 8000092 – ruostumaton																														
Mitat:	Kuvassa 1 näkyvät ahtaisiin tiloihin tarkoitettua korkean kapasiteetin taavettiasennelman osien mitat.																																
Tuotteen paino:	Kuvassa 1 näkyy ahtaisiin tiloihin tarkoitettua korkean kapasiteetin taavettiasennelman osien paino.																																
Sertifikaatti:	<p>Korkean kapasiteetin taavettivarsien ja korkean kapasiteetin puomijatkkeiden sertifikaatit niitä käytettäessä siirrettävissä tai kiinteissä korkean kapasiteetin jalustoissa</p> <table border="1"> <thead> <tr> <th>Siirrettävät jalustat</th> <th>EN795:2012 CEN/TS16415:2013</th> <th>EN1496:2006</th> </tr> </thead> <tbody> <tr> <td>Kolmiosainen jalusta (8000104, 8000105)</td> <td>Sertifioitu (B-tyyppinen)</td> <td>Vastaa (B-luokka)</td> </tr> <tr> <td>Kuorma-auton hinauskoukkuihin tarkoitettu jalusta (8000103)</td> <td>Sertifioitu (B-tyyppinen)</td> <td>Vastaa (B-luokka)</td> </tr> <tr> <td>Vastapainokärryihin tarkoitettu jalusta (8000106)</td> <td>Sertifioitu (B-tyyppinen)</td> <td>Vastaa (B-luokka)</td> </tr> <tr> <td>Kiinteät jalustat</td> <td></td> <td></td> </tr> <tr> <td>Lattiaan kiinnitettävä jalusta (8000095, 8000096)</td> <td>Vastaa (A-tyyppinen)</td> <td>Vastaa (B-luokka)</td> </tr> <tr> <td>Seinään kiinnitettävä jalusta (8000101, 8000102)</td> <td>Vastaa (A-tyyppinen)</td> <td>Vastaa (B-luokka)</td> </tr> <tr> <td>Tasoon kiinnitettävä jalusta (8000099, 8000100)</td> <td>Vastaa (A-tyyppinen)</td> <td>Vastaa (B-luokka)</td> </tr> <tr> <td>Ytimeen kiinnitettävä jalusta (8000089, 8000090)</td> <td>Vastaa (A-tyyppinen)</td> <td>Vastaa (B-luokka)</td> </tr> <tr> <td>Ytimeen kiinnitettävä, ylälevyllä varustettu jalusta (8000091, 8000092)</td> <td>Vastaa (A-tyyppinen)</td> <td>Vastaa (B-luokka)</td> </tr> </tbody> </table>			Siirrettävät jalustat	EN795:2012 CEN/TS16415:2013	EN1496:2006	Kolmiosainen jalusta (8000104, 8000105)	Sertifioitu (B-tyyppinen)	Vastaa (B-luokka)	Kuorma-auton hinauskoukkuihin tarkoitettu jalusta (8000103)	Sertifioitu (B-tyyppinen)	Vastaa (B-luokka)	Vastapainokärryihin tarkoitettu jalusta (8000106)	Sertifioitu (B-tyyppinen)	Vastaa (B-luokka)	Kiinteät jalustat			Lattiaan kiinnitettävä jalusta (8000095, 8000096)	Vastaa (A-tyyppinen)	Vastaa (B-luokka)	Seinään kiinnitettävä jalusta (8000101, 8000102)	Vastaa (A-tyyppinen)	Vastaa (B-luokka)	Tasoon kiinnitettävä jalusta (8000099, 8000100)	Vastaa (A-tyyppinen)	Vastaa (B-luokka)	Ytimeen kiinnitettävä jalusta (8000089, 8000090)	Vastaa (A-tyyppinen)	Vastaa (B-luokka)	Ytimeen kiinnitettävä, ylälevyllä varustettu jalusta (8000091, 8000092)	Vastaa (A-tyyppinen)	Vastaa (B-luokka)
Siirrettävät jalustat	EN795:2012 CEN/TS16415:2013	EN1496:2006																															
Kolmiosainen jalusta (8000104, 8000105)	Sertifioitu (B-tyyppinen)	Vastaa (B-luokka)																															
Kuorma-auton hinauskoukkuihin tarkoitettu jalusta (8000103)	Sertifioitu (B-tyyppinen)	Vastaa (B-luokka)																															
Vastapainokärryihin tarkoitettu jalusta (8000106)	Sertifioitu (B-tyyppinen)	Vastaa (B-luokka)																															
Kiinteät jalustat																																	
Lattiaan kiinnitettävä jalusta (8000095, 8000096)	Vastaa (A-tyyppinen)	Vastaa (B-luokka)																															
Seinään kiinnitettävä jalusta (8000101, 8000102)	Vastaa (A-tyyppinen)	Vastaa (B-luokka)																															
Tasoon kiinnitettävä jalusta (8000099, 8000100)	Vastaa (A-tyyppinen)	Vastaa (B-luokka)																															
Ytimeen kiinnitettävä jalusta (8000089, 8000090)	Vastaa (A-tyyppinen)	Vastaa (B-luokka)																															
Ytimeen kiinnitettävä, ylälevyllä varustettu jalusta (8000091, 8000092)	Vastaa (A-tyyppinen)	Vastaa (B-luokka)																															

Taulukko 1 – Tekniset tiedot

Ahtaisiin tiloihin tarkoitettujen korkean kapasiteetin taavettiasennelman osien materiaalien tekniset tiedot kuvassa 2.

Kuva 2, viite	Osa	Materiaalit:
Ⓐ	taavettivarsi	alumiini 6061-T6
Ⓑ	pidätinsokka	sinkitetty teräs
Ⓒ	taavetin takatalja	musta asetaali
Ⓓ	taavettivarren talja (2)	Delrin
Ⓔ	alempi taavettivarren talja	Delrin
Ⓕ	U-kannake (2)	ruostumaton teräs
Ⓖ	taavettipuomin jatke	alumiini 6061 ja sinkitetty teräs
Ⓗ	vinssikannake	sinkitetty teräs

1.0 TUOTTEEN KÄYTTÖKOHDE

- 1.1 TARKOITUS:** Ahtaisiin tiloihin tarkoitettua korkean kapasiteetin taavettiasennelmaa käytetään työntekijän nostamiseen tai laskemiseen työskentelytilaan sekä putoamisen pysäyttämiseen tai pelastustoimissa käytettävänä kiinnityspisteinä.
- 1.2 STANDARDIT:** Tämä ahtaisiin tiloihin tarkoitettu korkean kapasiteetin taavettiasennelma on näiden ohjeiden etukanteen sekä taulukkoon 1 merkittyjen kansallisten ja alueellisten standardien mukainen. Jos tätä tuotetta jälleenmyydään alkuperäisen kohdemaan ulkopuolella, jälleenmyyjän on toimitettava nämä ohjeet tuotetta käyttävän maan omalla kielellä.
- 1.3 ASENNUS JA VALVONTA:** Ahtaisiin tiloihin tarkoitettujen korkean kapasiteetin taavettiasennelman asennuksen tulee tapahtua pätevän henkilön valvonnassa¹. Pätevöityneen henkilön² tulee varmistaa, että kulloinkin kyseessä olevaan rakenteeseen tehtävä asennus vastaa paikallisia ja maakohtaisia säädöksiä. Pätevöityneen henkilön tulee neuvoa asianmukaisten kiinnitinten sekä asianmukaisen ahtaisiin tiloihin tarkoitettujen korkean kapasiteetin taavettiasennelman sijoituspaikan valinnassa. Pätevän henkilön tulee valvoa taavetin sekä siihen kiinnitettyjen putoamissuojainten käyttöä.
- 1.4 KOULUTUS:** Näiden varusteiden asentajien ja käyttäjien tulee olla koulutettuja oikeanlaista käyttöä varten. Tätä käyttöohjetta voidaan käyttää osana työntekijöiden koulutusohjelmaa ja/tai alueellisia säädöksiä. Varusteen käyttäjien ja asentajien vastuulla on perehtyä näihin ohjeisiin, hankkia koulutusta varusteen asianmukaisissa käyttö- ja huoltotavoissa sekä tuntee varusteen käyttöominaisuudet, käytön rajoitukset ja vääränlaisen käytön aiheuttamat seuraukset.
- 1.5 PELASTUSSUUNNITELMA:** taavettia ja siihen liitettyjä putoamissuojaimia käytettäessä on työnantajalla oltava pelastussuunnitelma sekä keinot suunnitelman toteuttamiseksi ja siitä tiedottamiseksi laitteen käyttäjille. Paikan päällä olevaa koulutettua pelastushenkilöstöä suositellaan. Pelastushenkilöstön jäsenillä tulisi olla hallussaan onnistuneeseen pelastamiseen tarvittavat laitteet ja tekniikka. Pelastushenkilöstön osaaminen tulee varmistaa antamalla koulutusta säännöllisin väliajoin.
- 1.6 TARKASTUSTEN TIHEYDYS:** Käyttäjän tulee tarkastaa ahtaisiin tiloihin tarkoitettu korkean kapasiteetin taavettiasennelma ennen jokaista käyttökertaa. Tämän lisäksi jonkun toisen pätevän henkilön (muu kuin käyttäjä itse) tulee tarkastaa se vähintään vuoden välein.³ Tarkastustoimet on kuvattu kohdassa "Tarkastus- ja kunnossapitoloki". Kaikkien pätevän henkilön suorittamien tarkastusten tulokset tulee tallentaa tämän käyttöoppaan lopusta löytyvään "Tarkastus- ja kunnossapitolokiin".

2.0 JÄRJESTELMÄVAATIMUKSET

- 2.1 OSIEN YHTEENSOPIVUUS:** 3M-laitteet on tarkoitettu käytettäväksi ainoastaan muiden 3M:n hyväksymien osien ja lisäjärjestelmien kanssa. Osien vaihtaminen ja korvaaminen muihin kuin hyväksytyihin osiin ja alajärjestelmiin voi vaarantaa laitteiston yhteensopivuuden sekä vaikuttaa koko järjestelmän turvallisuuteen ja luotettavuuteen.
- 2.2 PUTOAMISSUOJAUSJÄRJESTELMÄ:** järjestelmän kanssa käytettävien putoamisen pysäyttävien järjestelmien tulee olla sovellettavien putoamissuojaimia koskevien standardien, lakien ja vaatimusten mukainen. Putoamissuojausjärjestelmän tulee sisältää kokovartalovaljaat, ja pysäytysvoima tulee rajoittaa seuraaviin arvoihin:

	Suurin sallittu pysäytysvoima	Vapaa pudotus
Iskunvaimenninköydellä varustettu putoamissuojainjärjestelmä	6 kN	Katso turvahihnan tai itsekelautuvan laitteen ohjeista vapaan pudotuksen rajoitukset.
Itsekelautuvalla laitteella varustettu putoamissuojausjärjestelmä	6 kN	

1 Pätevä henkilö: Henkilö, joka pystyy tunnistamaan olemassa olevat ja ennustettavat vaaratekijät ympäristössä tai työolosuhteissa, jotka ovat vaarallisia, epähygieenisia tai vaarallisia työntekijöille, ja jolla on valtuudet ryhtyä toimiin niiden poistamiseksi.

2 Pätevöitynyt henkilö: Henkilö, jolla on tutkinto tai ammatillinen sertifikaatti sekä kattava kokemus putoamissuojauksesta. Hänen tulee pystyä suunnittelemaan, analysoimaan, arvioimaan ja määrittelemään putoamissuojauksen.

3 Tarkastusväli: Äärimmäiset työolosuhteet (vaativat ympäristöt, pitkäaikainen käyttö jne.) voivat vaatia tarkastusten suorittamista pätevän henkilön toimesta useammin.

3.0 ASENNUS

3.1 SUUNNITTELU: Putoamissuojausjärjestelmä tulee suunnitella ennen ahtaisiin tiloihin tarkoitettun korkean kapasiteetin taavettiasennelman asennusta. Ota huomioon kaikki tekijät, jotka voivat vaikuttaa turvallisuuteen ennen putoamista, sen aikana ja sen jälkeen.

- Työskentelyohjelma tulee suunnitella ennen aloittamista. Huolehdi siitä, että käytettävissäsi ovat työn tekoon tarvittavat henkilöt, varusteet ja menettelyt.
- Työskentelyn tulee aina tapahtua tiimeissä. Yksi henkilö, jota nostetaan ja lasketaan sekä toinen henkilö, joka löysää ja kelaa vaijeria.
- Asianmukaisia suojavaarusteita, kuten suojakypärää, suojalaseja, luistamattomilla pohjilla varustettuja suojakenkiä, paksuja suojakäsineitä, suojavaatetusta ja kasvosuojusta tulee aina käyttää.
- Useita ahtaisiin tiloihin tarkoitettun korkean kapasiteetin taavettiasennelman puomijatkeita ei saa liittää toistensa perään. Kutakin taavettijalustaa kohden saa käyttää enintään yhtä puomijatketta.
- Kaikkien vinssin ja itsekelautuvan turvaköyden kiinnitysosien ja tarvikkeiden on oltava 3M:n putoamissuojausyksikön toimittamia tai hyväksymiä.
- Kiinnitä vinssi turvallisesti ennen käyttöä.
- Järjestelmän käyttäjien tulee käyttää hyväksytyjä kokovartalovaljaita.
- Vain sellaisia kelautuvia laitteita tai iskunvaimentimia saa käyttää, joiden enimmäispysäytysvoima on yhtä suuri tai pienempi kuin järjestelmän alimman luokituksen saanut komponentti.
- Kelautuvien laitteiden ja iskunvaimentimien asennuksessa ja käytössä on noudatettava laitteiden valmistajien ohjeita.
- Modulaariin komponentteihin on merkitty ne enimmäiskantavuudet ja luokitus, joita varten ne on suunniteltu, testattu ja valmistettu. Järjestelmän luokituksen katsotaan olevan sen alimman luokituksen omaavan komponentin luokitus. Varustetta ei saa käyttää, jos sen luokitusmerkinnät ovat vaurioituneet tai lukukelvottomat. Uusia merkintöjä saa 3M:n putoamissuojausyksiköstä.
- Ahtaisiin tiloihin tarkoitettu korkean kapasiteetin taavettiasennelman tulee poistaa työpisteestä, kun sitä ei enää tarvita.

3.2 AHTAISIIIN TILOIHIN TARKOITETUN KORKEAN KAPASITEETIN TAAVETTIASENNELMAN ASENNUS:

1. (kuva 3) Kiinnitä ahtaisiin tiloihin tarkoitettun korkean kapasiteetin taavettiasennelman puomijatke asennettuun 3M:n korkean kapasiteetin taavettijalustaan. (taulukosta 1 löytyy 3M:n jalustan kuvaukset). Kiinnitä taavettijalusta kiinnitysrakenteeseen noudattamalla taavettijalustan asennusohjeita.
2. Kiinnitä taavettipään asennelman yleisasennelmaan:
 - a. (kuva 4a) kiinnitä taavetinpään kiilaputki (A) yleisasennelman kiilan hitsausrakenteeseen (B). Kiinnitä kiilaputki kiilan hitsausrakenteeseen pidätinsokalla (C).
 - b. (kuva 4b) Kiinnitä taavetinpään varsiputki yleisasennelman sivulevyjen (E) väliin koukkutapilla (D). Kiinnitä koukkutappi yleisasennelman vastakkaiselle puolelle kiinnitetyllä sokkatapilla.
3. (kuva 5) Aseta koottu taavetinvarsi/yleisasennelman puomijatkeelle. Taavetin varsiputken alareunan tulee koskettaa puomijatkeen reunaa. Keskitä taavetin varsipurken pohjassa oleva lovi puomijatkeen reunassa olevaan ruuviin.
4. (kuva 6) Taavetin varren jatkeen pituutta voidaan säätää 1–4 säädön verran. Irrota pidätinsokka (A) ja liu'uta taavetin puomijatke ulos tai sisään haluttuun pituuteen. Taavetin varsi tulee kiinnittää kyseiseen jatkettuun pituuteen pidätinsokalla (A). Pidätinsokka tulee pujottaa täysin sisään.
5. (kuva 7) Taavetin varren kulmaa voidaan säätää 1–3 säädön verran. Irrota pidätinsokka (C) ja liu'uta kiilaputki (A) sisään tai ulos kiilan hitsausrakenteesta (B). Kiilaputki tulee kiinnittää pidätinsokalla (C). Pidätinsokka tulee pujottaa täysin sisään.
6. (kuva 8) Vinssi tulee asentaa valmistajan ohjeiden mukaan. Vinssi kiinnitetään yleisasennelmaan sisältyvällä vinssikannakkeella. Vinssivaijeri kulkee yleensä yleisasennelmalla olevan takataljan (A) sekä taavetin varrella olevan yläetutaljan yli. Vaihtoehtoinen ja/tai etupuolelle kiinnitettävä asennelman on mahdollinen. Katso osio 3.3.

3.3 VINSSIKANNAKE 8000117:

1. (kuva 9) Etukiinnitteinen vinssi tai itsekelautuva turvaköysi voidaan lisätä ahtaisiin tiloihin tarkoitettun korkean kapasiteetin taavettiasennelman puomijatkeeseen asentamalla toinen vinssikannake 8000117 (myydään erikseen). Kiinnitä vinssikannake (A) puomijatkeeseen kahdella vinssikannakkeen pidätinsokalla (B). Vinssi tai itsekelautuva turvaköysi käyttää yleisasennelmalla olevaa etutaljaa (C) ja taavetin varrella olevaa alaetutaljaa (D).

3.4 U-KANNAKKEISET KIINNITYSPISTEET:

(kuva 10) Kahta u-kannakkeista kiinnityspistettä (A ja B) voidaan käyttää putoamisen pysäyttämiseen, pelastukseen tai materiaalien käsittelyyn. Jos käytetään u-kannakkeista kiinnityspistettä A, vaakasuuntainen etäisyys taavetin jalustasta saa olla korkeintaan 38 cm (15 tuumaa).

4.0 KÄYTTÖ

4.1 ENNEN JOKAISTA KÄYTTÖKERTAA: Varmista, että työskentelyalue ja putoamissuojausjärjestelmä täyttävät kaikki osiossa 2 esitetyt vaatimukset, ja että käytössä on pelastussuunnitelma. Ahtaisiin tiloihin tarkoitettu korkean kapasiteetin taavettijalusta tulee tarkastaa "tarkastus- ja kunnossapitolokissa" lueteltujen "käyttäjän" tarkastuspisteiden mukaisesti. Jos järjestelmä todetaan tarkastuksessa turvallisuudelle vaaralliseksi tai vialliseksi, ei sitä saa käyttää. Poista järjestelmä käytöstä, hävitä se ja ota yhteyttä 3M:ään korvaavan tuotteen tai korjauksen järjestämiseksi.

5.0 TARKASTUS

- 5.1 TARKASTUSTEN TIIEYS:** Ahtaisiin tiloihin tarkoitettu korkean kapasiteetin taavettiasennelma tulee tarkastaa kohdassa 1 annettujen tarkastusvälien mukaisesti. Tarkastustoimet on kuvattu kohdassa "Tarkastus- ja kunnossapitoloki". Kaikki muut putoamissuojajärjestelmän osat tulee tarkastaa valmistajan ohjeistamien tarkastusvälien ja käytäntöjen mukaisesti.
- 5.2 VIAT:** Mikäli tarkastuksessa käy ilmi, että ahtaisiin tiloihin tarkoitettu korkean kapasiteetin taavettiasennelma on vaarallinen tai viallinen, tulee se poistaa käytöstä välittömästi ja ottaa yhteyttä 3M:ään korvaavan osan tai korjauksen järjestämistä varten. Älä yritä korjata putoamisenestojärjestelmää itse.

Vain valtuutetut huollot: Vain 3M tai sen kirjallisesti valtuuttamat tahot saavat tehdä korjauksia tähän laitteeseen.

- 5.3 TUOTTEEN KÄYTTÖIKÄ:** Ahtaisiin tiloihin tarkoitetun korkean kapasiteetin taavettiasennelman käyttöikä riippuu työskentelyolosuhteista ja huollosta. Tuotetta voidaan käyttää niin kauan kuin se läpäisee tarkastuskriteerit.

6.0 HUOLTO, KUNNOSSAPITO JA SÄILYTYS

- 6.1 PUHDISTUS:** Ahtaisiin tiloihin tarkoitetun korkean kapasiteetin taavettiasennelman metalliosat tulee puhdistaa säännöllisesti pehmeällä harjalla, lämpimällä vedellä ja miedolla saippualliuoksella. Varmista, että osat huuhdellaan huolellisesti puhtaalla vedellä.
- 6.2 HUOLTO:** Vain 3M tai sen kirjallisesti valtuuttamat tahot saavat tehdä korjauksia tähän laitteeseen. Mikäli ahtaisiin tiloihin tarkoitettuun taavettiasennelmaan on kohdistunut putoamisvoimaa tai tarkastuksessa käy ilmi, että se on vaarallinen tai viallinen, tulee se poistaa käytöstä ja ottaa yhteyttä 3M:ään korvaavan osan tai korjauksen järjestämiseksi.
- 6.3 SÄILYTYS JA KULJETUS:** Kun ahtaisiin tiloihin tarkoitettu korkean kapasiteetin taavettiasennelma ei ole käytössä, varustetta ja siihen liittyviä putoamissuojaimia tulee säilyttää viileässä, kuivassa ja puhtaassa ympäristössä suojassa suoralta auringonvalolta. Myös kuljetuksen tulee tapahtua samantyyppisissä olosuhteissa. Vältä alueita, joilla saattaa esiintyä kemiallisia höyryjä. Tarkasta osat huolellisesti pitkän säilytysajan jälkeen.

7.0 MERKINNÄT

Kuvassa 11 näkyvät ahtaisiin tiloihin tarkoitetun korkean kapasiteetin taavettiasennelman merkinnät. Merkinnät tulee uusia, jos ne eivät ole täysin luettavissa.

Taulukko 2 – Tarkastus- ja kunnossapitoloki

Tarkastuspäivä:		Tarkistanut:	
Komponentit:	Tarkastus: (Katso tarkastusten tiheys osiosta 5)	Käyttäjä	Pätevä henkilö
Ahtaisiin tiloihin tarkoitettu taavettiasennelma (kuvat 1 ja 2)	Tarkasta, ettei ahtaisiin tiloihin tarkoitettussa korkean kapasiteetin taavettiasennelmassa ole murtumia, lommoja tai epämuodostumia.	<input type="checkbox"/>	<input type="checkbox"/>
	Tarkasta koko laite syöpymisen varalta.	<input type="checkbox"/>	<input type="checkbox"/>
	Tarkista kaikki kiinnittimet ja varmista, että ne ovat kireällä. Kiristä tarvittaessa.	<input type="checkbox"/>	<input type="checkbox"/>
	Tarkista tapit ja varmista, että ne ovat kunnolla paikoillaan, ja että koukkutapit on kiinnitetty kunnolla sokkatapeilla.	<input type="checkbox"/>	<input type="checkbox"/>
Merkinnät (kuva 11)	Varmista että kaikki merkinnät ovat kunnolla kiinni ja lukukelpoisia (katso "Merkinnät").	<input type="checkbox"/>	<input type="checkbox"/>
Putoamisenestojärjestelmät ja muut laitteet	Taavetin kanssa käytettävät ylimääräiset putoamissuojajärjestelmien varusteet (valjaat, itsekelautuvat laitteet jne.) tulee asentaa ja tarkastaa valmistajan ohjeiden mukaan.	<input type="checkbox"/>	<input type="checkbox"/>

Sarjanumero(t):	Ostopäivämäärä:
Mallinumero:	Ensimmäisen käyttökerran päivämäärä:

Korjaava toimi / kunnossapito:	Hyväksyjä:
	Päivämäärä:
Korjaava toimi / kunnossapito:	Hyväksyjä:
	Päivämäärä:
Korjaava toimi / kunnossapito:	Hyväksyjä:
	Päivämäärä:
Korjaava toimi / kunnossapito:	Hyväksyjä:
	Päivämäärä:
Korjaava toimi / kunnossapito:	Hyväksyjä:
	Päivämäärä:
Korjaava toimi / kunnossapito:	Hyväksyjä:
	Päivämäärä:
Korjaava toimi / kunnossapito:	Hyväksyjä:
	Päivämäärä:
Korjaava toimi / kunnossapito:	Hyväksyjä:
	Päivämäärä:
Korjaava toimi / kunnossapito:	Hyväksyjä:
	Päivämäärä:
Korjaava toimi / kunnossapito:	Hyväksyjä:
	Päivämäärä:
Korjaava toimi / kunnossapito:	Hyväksyjä:
	Päivämäärä:
Korjaava toimi / kunnossapito:	Hyväksyjä:
	Päivämäärä:
Korjaava toimi / kunnossapito:	Hyväksyjä:
	Päivämäärä:
Korjaava toimi / kunnossapito:	Hyväksyjä:
	Päivämäärä:
Korjaava toimi / kunnossapito:	Hyväksyjä:
	Päivämäärä:
Korjaava toimi / kunnossapito:	Hyväksyjä:
	Päivämäärä:

CONSIGNES DE SÉCURITÉ

Veillez lire, comprendre et suivre toutes les consignes de sécurité contenues dans ces instructions avant d'utiliser ce dispositif d'accès à un espace confiné/dispositif de sauvetage. LE NON-RESPECT DE CES INSTRUCTIONS PEUT CAUSER DES BLESSURES GRAVES OU LA MORT.

Ces instructions doivent être transmises à l'utilisateur de cet équipement. Conservez ces instructions pour vous y référer ultérieurement.

Utilisation prévue :

Ce dispositif d'accès à un espace confiné/dispositif de sauvetage est conçu pour être utilisé comme élément d'un système antichute individuel ou d'un équipement de sauvetage complet.

Toute utilisation pour d'autres applications, y compris, mais sans s'y limiter, des applications de manutention de matériaux non approuvées, des activités de loisirs ou sportives, ou d'autres activités non décrites dans les instructions d'utilisation ou les instructions d'installation, n'est pas approuvée par 3M et pourrait entraîner des blessures graves ou mortelles.

Ce dispositif ne doit être utilisé que par des utilisateurs formés pour des applications sur le lieu de travail.

AVERTISSEMENT

Ce dispositif d'accès à un espace confiné/dispositif de sauvetage fait partie d'un système antichute individuel ou d'un équipement de sauvetage complet. Tous les utilisateurs doivent être solidement formés à l'installation et au fonctionnement sécurisés du système complet. **Une mauvaise utilisation de ce dispositif pourrait entraîner des blessures graves ou être mortelle.** Pour ne faire aucune erreur dans la sélection, le fonctionnement, l'installation, la maintenance et l'entretien, suivez toutes les instructions fournies avec le produit et toutes les recommandations du fabricant, consultez votre superviseur ou contactez le service technique 3M.

- **Pour réduire les risques associés à l'utilisation d'un dispositif d'accès à un espace confiné/dispositif de sauvetage qui, s'ils ne sont pas évités, pourraient entraîner des blessures graves ou mortelles :**
 - Inspectez le dispositif avant chaque utilisation, au moins une fois par an, et après chaque chute. Procédez à l'inspection conformément aux instructions d'utilisation.
 - Si l'inspection effectuée fait apparaître un défaut ou un danger, retirez immédiatement le dispositif du service et réparez-le ou remplacez-le en respectant les instructions d'utilisation.
 - Si le dispositif a été soumis à des forces d'arrêt de chute ou d'impact, il doit être immédiatement mis hors service. Consultez les instructions d'utilisateur ou contactez le service de protection antichute 3M.
 - Le dispositif doit être installé uniquement de la manière décrite dans les instructions d'installation ou les instructions d'utilisation. Les installations et utilisations non conformes aux instructions doivent être approuvées en contactant par écrit le service de Protection antichute 3M.
 - Le substrat auquel ou la structure à laquelle le dispositif est fixé doit être capable de résister aux charges statiques spécifiées pour le dispositif dans les orientations autorisées indiquées dans les instructions d'utilisation ou les instructions d'installation.
 - Ne dépassez pas le nombre d'utilisateurs autorisés.
 - Ne travaillez jamais en dessous d'une charge ou d'un ouvrier suspendu.
 - Soyez vigilant(e) au cours de l'installation, de l'utilisation et du déplacement du dispositif, car les pièces en mouvement peuvent créer des points de pincement potentiels. Consultez le mode d'emploi.
 - Vérifiez que les procédures adéquates de verrouillage/d'étiquetage ont été appliquées.
 - Ne fixez jamais le dispositif à un système avant qu'il ne soit positionné, entièrement assemblé, ajusté et installé. N'ajustez pas le système lorsqu'un utilisateur y est attaché.
 - Ne reliez que les sous-systèmes de protection antichute au point du connecteur d'ancrage désigné sur le dispositif.
 - Avant de procéder au perçage ou à la fixation, vérifiez qu'aucune ligne électrique, conduite de gaz ou tout autre système critique intégré ne sera touché par la perceuse ou le dispositif.
 - Assurez-vous que les systèmes/sous-systèmes antichute assemblés avec des composants provenant de divers fabricants sont compatibles et respectent les exigences des normes applicables, y compris la norme ANSI Z359 ou d'autres codes, normes ou contraintes de protection contre les chutes. Consultez systématiquement une personne compétente ou qualifiée avant l'utilisation de ces systèmes.
- **Pour réduire les risques associés au travail en hauteur qui, faute de protection, peuvent entraîner des blessures graves ou mortelles :**
 - Assurez-vous que votre santé et votre condition physique vous permettent de supporter en toute sécurité les forces associées au travail en hauteur. Consultez votre médecin si vous avez des questions concernant votre aptitude à utiliser cet équipement.
 - Ne dépassez jamais les limites autorisées pour votre équipement antichute.
 - Ne dépassez jamais la distance de chute libre maximale de votre équipement antichute.
 - N'utilisez aucun équipement antichute qui n'a pas satisfait aux inspections avant utilisation ou aux autres inspections programmées, ou si vous avez des préoccupations concernant l'utilisation ou la compatibilité de l'équipement avec votre application. Contactez les services techniques de 3M si vous avez des questions.
 - Certaines combinaisons de sous-systèmes et de composants peuvent gêner le fonctionnement de cet équipement. Utilisez uniquement des raccords compatibles. Consultez 3M avant d'utiliser cet équipement conjointement avec des composants ou des sous-systèmes autres que ceux décrits dans les instructions d'utilisation.
 - Soyez particulièrement vigilant(e) lorsque vous travaillez autour de machines en mouvement (par exemple, les mécanismes d'entraînement par le haut des plates-formes pétrolières), en cas de risques électriques, de températures extrêmes, de risques chimiques, en présence de gaz explosifs ou toxiques, d'arêtes vives, ou de matériaux suspendus pouvant tomber sur vous ou sur l'équipement de protection antichute.
 - Utilisez des dispositifs de protection contre les arcs électriques ou conçus pour le travail à température élevée dans les environnements à chaleur intense.
 - Évitez les surfaces et les objets qui peuvent endommager l'utilisateur ou l'équipement.
 - Vérifiez que vous disposez d'une distance d'arrêt adaptée lorsque vous travaillez en hauteur.
 - Ne modifiez ni n'altérez jamais votre équipement antichute. Seul 3M ou les parties agréées par écrit par 3M peuvent réparer cet équipement.
 - Avant l'utilisation d'un équipement antichute, vérifiez qu'un plan de sauvetage est mis en place et qu'il permettra d'effectuer un sauvetage rapide si une chute se produit.
 - En cas de chute, faites immédiatement intervenir un médecin auprès du travailleur qui est tombé.
 - N'utilisez pas de ceinture de travail pour les applications de prévention des chutes. Utilisez uniquement un harnais intégral.
 - Réduisez le risque d'effets pendulaires en travaillant autant que possible directement sous le point d'ancrage.
 - Lors de la formation à l'utilisation de ce dispositif, vous devez utiliser un système antichute secondaire afin de ne pas exposer la personne formée à un risque de chute involontaire.
 - Portez toujours un équipement de protection individuelle approprié lors de l'installation, de l'utilisation ou de l'examen du dispositif/système.

Avant l'installation et l'utilisation de cet équipement, noter les informations d'identification du produit de l'étiquette d'identification dans le journal d'inspection et d'entretien (2) situé au dos de ce manuel.

DESCRIPTION DU PRODUIT :

La figure 1 illustre la potence haute capacité (HC) pour espaces confinés 3M™. La potence HC pour espaces confinés est utilisée pour soulever ou abaisser un travailleur jusqu'à la zone de travail et sert de dispositif antichute ou de point d'ancrage de sauvetage. Cette instruction s'applique aux composants suivants de la potence HC pour espaces confinés :

- (A) Potence HC à courte portée, référence 8000107, potence HC à longue portée, référence 8000108.
- (B) Quatre longueurs d'extension de mât disponibles.
- (C) Assemblage universel, référence 8000109.
- (D) Bras de déport à courte portée, référence 8000110, (e) bras de déport à longue portée, référence 8000111.
- (F) Support de treuil, référence 8000117 (inclus avec l'assemblage universel pour un treuil ou un dispositif antichute à rappel automatique monté à l'arrière ; support de treuil 8000117 supplémentaire requis pour un treuil ou un dispositif antichute à rappel automatique monté à l'avant).

Le mât de la potence HC pour espaces confinés est placé sur une base 3M appropriée, disponible séparément. Voir le Tableau 1 pour examiner les spécifications.

L'installation de la base doit être certifiée conforme aux réglementations locales par un ingénieur qualifié. Consulter les instructions d'installation de la base. Les extensions de mât de la potence HC pour espaces confinés ne peuvent pas être empilés. Une extension de mât, au maximum, peut être utilisée par base de potence.

Tableau 1 – Caractéristiques

Spécifications du système :			
Capacité :	Antichute : EN795:2012 et CEN/TS 16415:2013 conçus pour un ou deux utilisateurs.		
	Sauvetage : EN1496:2006 conçu pour un utilisateur avec un poids combiné maximum de 140 kg (310 lb), incluant les outils et l'équipement, sur la ligne pendant l'utilisation.		
	Manipulation des matériaux : 205 kg (450 lb) lorsqu'elle est utilisée sur n'importe quelle base portable HC 3M (3 pièces, arrimage pour camions ou chariot du contrepoids) et une capacité de 340 kg (750 lb) lorsqu'elle est utilisée sur n'importe quelle base permanente HC 3M (montage au sol, montage mural, montage sur plancher ou montages au noyau). Voir les spécifications relatives à la capacité de manipulation des matériaux ci-dessous :		
	Capacité de manipulation des matériaux (kg, lb)	Description de base 3M	Référence de base 3M
	205 kg (450 lb)	Base à trois pièces à courte portée	8000104
	205 kg (450 lb)	Base à trois pièces à longue portée	8000105
	205 kg (450 lb)	Base du dispositif d'arrimage pour camions	8000103
	205 kg (450 lb)	Base de chariot à contrepoids	8000106
	340 kg (750 lb)	Base de montage au sol	8000095 – Galvanisé 8000096 - Acier inoxydable
	340 kg (750 lb)	Base de montage mural	8000101 – Galvanisé 8000102 - Acier inoxydable
	340 kg (750 lb)	Base de montage sur plancher	8000099 – Galvanisé 8000100 - Acier inoxydable
340 kg (750 lb)	Base de montage au noyau	8000089 – Galvanisé 8000090 - Acier inoxydable	
340 kg (750 lb)	Montage au noyau avec base de plaque supérieure	8000091 – Galvanisé 8000092 - Acier inoxydable	
Dimensions :	Voir la figure 1 pour connaître les dimensions des composants de la potence HC pour espaces confinés.		
Poids du produit :	Voir la figure 1 pour connaître le poids des composants de la potence HC pour espaces confinés.		
Certification :	Certifications de bras HC et d'extensions de mât HC lors d'une utilisation avec des bases HC portables ou permanentes		
	Bases portables	EN795:2012 CEN/TS16415:2013	EN1496:2006
	Base à trois pièces (8000104, 8000105)	Certifié (Type B)	Conforme (Classe B)
	Base du dispositif d'arrimage pour camions (8000103)	Certifié (Type B)	Conforme (Classe B)
	Base du chariot à contrepoids (8000106)	Certifié (Type B)	Conforme (Classe B)
	Bases permanentes		
	Base de montage au sol (8000095, 8000096)	Conforme (Type A)	Conforme (Classe B)
	Base de montage mural (8000101, 8000102)	Conforme (Type A)	Conforme (Classe B)
	Base de montage sur plancher (8000099, 8000100)	Conforme (Type A)	Conforme (Classe B)
	Base de montage au noyau (8000089, 8000090)	Conforme (Type A)	Conforme (Classe B)
	Montage au noyau avec base de plaque supérieure (8000091, 8000092)	Conforme (Type A)	Conforme (Classe B)

Tableau 1 – Caractéristiques

Spécifications de matériau des composants de la potence HC pour espaces confinés à la figure 2.		
Figure 2 Référence	Composant	Matériaux
(A)	Bras	Aluminium 6061-T6
(B)	Goupille	Acier zingué
(C)	Poulie de potence arrière	Acétal noir
(D)	Poulie de bras (2)	Delrin
(E)	Poulie de bras inférieur	Delrin
(F)	Anneau en U (2)	Acier inoxydable
(G)	Extension du mât de la potence	Aluminium 6061 et acier zingué
(H)	Support du treuil	Acier zingué

1.0 APPLICATION PRODUIT

- 1.1 OBJECTIF :** la potence HC pour espaces confinés est utilisée pour soulever ou abaisser un travailleur jusqu'à la zone de travail et sert de dispositif antichute ou de point d'ancrage de sauvetage.
- 1.2 NORMES :** cette potence HC pour espaces confinés est conforme aux normes nationales ou régionales présentées sur la page de couverture et dans le tableau 1 des présentes instructions. Si ce produit est revendu en dehors du pays de destination d'origine, le revendeur doit fournir ces instructions dans la langue du pays où il sera utilisé.
- 1.3 INSTALLATION ET SUPERVISION :** l'installation de la potence HC pour espaces confinés doit être supervisée par une personne compétente¹. Une personne qualifiée² doit vérifier que l'installation de la structure est conforme aux réglementations locales et fédérales. Une personne qualifiée doit recommander les fixations appropriées et le positionnement adéquat de la potence HC pour espaces confinés. L'utilisation de la potence et de l'équipement de protection antichute joint doit être supervisée par une personne compétente.
- 1.4 FORMATION :** Cet équipement doit être installé et utilisé par des personnes formées à cet effet. Ce manuel peut être utilisé dans le cadre d'un programme de formation des employés et/ou de réglementations régionales. Il relève de la responsabilité des utilisateurs et des installateurs de cet équipement de s'assurer qu'ils se sont familiarisés avec ces instructions, qu'ils ont été formés à l'entretien et à l'utilisation corrects du matériel et qu'ils ont connaissance des caractéristiques de fonctionnement, des limites d'application et des conséquences d'une mauvaise utilisation.
- 1.5 PLAN DE SAUVETAGE :** pour utiliser la potence et l'équipement de protection antichute connecté, l'employeur doit disposer d'un plan de sauvetage et de moyens disponibles pour le mettre en place et le communiquer aux utilisateurs. Il est recommandé de mettre en place une équipe adéquatement formée, de sauvetage sur site. Il conviendra de mettre à la disposition des membres de l'équipe l'équipement et les moyens techniques nécessaires à la bonne exécution d'une opération de sauvetage. La formation devra être dispensée sur une base régulière afin de garantir le niveau de compétence du sauvetage.
- 1.6 FRÉQUENCE D'INSPECTION :** la potence HC pour espaces confinés doit être inspectée par l'utilisateur avant chaque utilisation et, par ailleurs, par une personne compétente autre que l'utilisateur à des intervalles inférieurs à un an.³ Les procédures d'inspection sont décrites dans le « *Journal d'inspection et d'entretien* ». Les résultats de chaque inspection effectuée par une personne compétente doivent être enregistrés dans des exemplaires du « *Journal d'inspection et d'entretien* ».

2.0 CARACTÉRISTIQUES DU SYSTÈME

- 2.1 COMPATIBILITÉ DES COMPOSANTS :** L'équipement 3M est conçu pour être utilisé uniquement avec d'autres composants et sous-systèmes agréés 3M. La substitution ou le remplacement de pièces par des composants ou des sous-composants non approuvés peut compromettre la compatibilité de l'équipement et affecter la sécurité et la fiabilité de l'ensemble du système.
- 2.2 DISPOSITIF ANTICHUTE PERSONNEL :** les équipements de protection individuelle (EPI) antichute utilisés avec le système doivent être conformes aux normes, codes et réglementations applicables en matière de protection contre les chutes. L'équipement de protection individuelle (EPI) antichute doit intégrer un harnais intégral et limiter la force d'arrêt aux valeurs suivantes :

	Force d'arrêt maximale	Chute libre
Équipement de protection individuelle (EPI) antichute avec longue antichute	6 kN (1350 lb)	Vous trouverez les limites de chute libre dans l'instruction ou les instructions de votre longue ou de votre dispositif antichute à rappel automatique.
Équipement de protection individuelle (EPI) antichute avec dispositif antichute à rappel automatique (Self Retracting Device, SRD)	6 kN (1350 lb)	

1 Personne compétente : Personne capable d'identifier des dangers existants et prévisibles dans les milieux de travail, ou des conditions de travail non hygiéniques ou dangereuses pour les ouvriers, et ayant l'autorisation de prendre des mesures correctives rapides pour les éliminer.

2 Personne qualifiée : Individu qui possède un diplôme reconnu ou un certificat professionnel, et qui bénéficie d'une vaste expérience dans la protection contre les chutes. Cet individu doit être capable de maîtriser la conception, l'analyse, l'évaluation et les spécifications en matière de protection contre les chutes.

3 Fréquence d'inspection : des conditions de travail extrêmes (environnement hostile, utilisation prolongée, etc.) peuvent nécessiter des inspections plus fréquentes par une personne compétente.

3.0 INSTALLATION

3.1 PRÉPARATION : préparer votre système de protection antichute avant l'utilisation et l'installation de la potence HC pour espaces confinés. Prendre en compte tous les facteurs qui pourraient affecter la sécurité avant, pendant et après une chute.

- Planifier votre programme de travail avant de commencer. Les personnes compétentes, le matériel adéquat et les procédures appropriées sont nécessaires pour ce type d'intervention.
- Travailler toujours en équipe. Si une personne monte ou descend, une autre personne laisse filer et enrôle la ligne.
- Porter un équipement de protection : casque résistant, lunettes de protection, chaussures de protection avec semelles anti-glissantes, gants robustes, vêtements de protection et masque.
- Les extensions de mât de la potence HC pour espaces confinés ne peuvent pas être empilées. Une extension de mât, au maximum, peut être utilisée par base de potence.
- Toutes les pièces de montage et le matériel du treuil et du dispositif antichute à rappel automatique doivent être fournis et approuvés par 3M Fall Protection.
- Fixer correctement le treuil avant utilisation.
- Les utilisateurs du système doivent utiliser un harnais intégral homologué.
- Utiliser uniquement des dispositifs rétractables ou des absorbeurs d'énergie avec une force d'arrêt maximum inférieure ou égale au composant de la catégorie la plus basse de votre dispositif.
- Les dispositifs rétractables ou les absorbeurs d'énergie doivent être installés et utilisés conformément aux instructions du fabricant.
- Les composants modulaires sont étiquetés avec les capacités et les catégories pour lesquelles ils sont conçus, testés et fabriqués. La classification de n'importe quel système correspond à la classification du composant de la plus basse catégorie dans ledit système. Ne pas utiliser l'équipement si les étiquettes sont endommagées ou illisibles. De nouvelles étiquettes sont disponibles auprès de 3M Fall Protection.
- La potence HC pour espaces confinés doit être retirée du chantier lorsqu'elle n'est plus nécessaire.

3.2 INSTALLATION DE LA POTENCE HC POUR ESPACES CONFINÉS :

1. (Figure 3) Insérer l'extension de mât de la potence HC pour espaces confinés dans une base de potence HC 3M installée. (Voir le tableau 1 pour les descriptions d'une base 3M.) Suivre les instructions d'installation pour fixer la base de potence à la structure d'ancrage.
2. Fixer la tête de potence à l'assemblage universel :
 - a. (Figure 4a) insérer le tube de gousset de la tête de potence (A) dans l'ensemble soudé du gousset de l'assemblage universel (B). Utiliser la goupille (C) pour fixer le tube de gousset dans l'ensemble soudé du gousset.
 - b. (Figure 4b) Utiliser la goupille d'attelage (D) pour fixer le tube du bras de la tête de potence entre les plaques latérales (E) de l'assemblage universel. Fixer la goupille d'attelage à l'esse qui est connectée au côté opposé de l'assemblage universel.
3. (Figure 5) Placer le bras/l'assemblage universel sur l'extension de mât. L'arrête inférieure du tube du bras doit être en contact avec l'arrête de l'extension de mât. Centrer l'encoche située en bas du tube du bras sur la vis située sur l'arrête de l'extension de mât.
4. (Figure 6) La longueur de l'extension du bras peut être ajustée dans une position parmi les quatre existantes. Retirer la goupille (A) et faire glisser l'extension de bras vers l'extérieur ou vers l'intérieur pour obtenir la longueur souhaitée. Le bras doit être fixé dans cette position d'extension avec la goupille (A). Insérer entièrement la goupille.
5. (Figure 7) L'angle du bras peut être ajustée dans une position parmi les trois existantes. Retirer la goupille (C) et faire glisser le tube de gousset (A) vers l'extérieur ou vers l'intérieur de l'ensemble soudé du gousset (B). Le tube de gousset doit être fixé avec la goupille (C). Insérer entièrement la goupille.
6. (Figure 8) Installer le treuil conformément aux instructions du fabricant. Le treuil est monté avec le support de treuil qui est inclus avec l'assemblage universel. Le câble du treuil passe généralement sur la poulie arrière (A) située sur l'assemblage universel et la poulie avant supérieure (B) située sur le bras. Une configuration montée avant alternative et/ou supplémentaire est possible. Voir la section 3.3.

3.3 SUPPORT DE TREUIL 8000117 :

1. (Figure 9) Un treuil ou un dispositif antichute à rappel automatique monté à l'avant peut être ajouté à l'extension de mât HC pour espaces confinés en installant un second support de treuil 8000117 (acheté séparément). Fixer le support de treuil (A) à l'extension de mât à l'aide de deux goupilles de support de treuil (B). Le câble du treuil ou du dispositif antichute à rappel automatique utilise la poulie avant (C) située sur l'assemblage universel et la poulie avant inférieure (D) située sur le bras.

3.4 POINTS D'ATTACHE DE L'ANNEAU EN U :

(Figure 10) Les deux points d'attache de l'anneau en U (A et B) peuvent être utilisés pour l'arrêt de chute, le sauvetage ou la manipulation de matériaux. Lors de l'utilisation du point d'attache de l'anneau en U, ne pas dépasser la distance horizontale de 38 cm (15 po) de la base de potence.

4.0 UTILISATION

4.1 AVANT CHAQUE UTILISATION : vérifier que la zone de travail et l'équipement de protection individuelle (EPI) antichute répondent à tous les critères définis dans la section 2 et qu'un plan de sauvetage officiel est mis en place. Inspecter la potence HC pour espaces confinés conformément aux consignes d'inspection « Utilisateur » figurant dans le « *Journal d'inspection et d'entretien* ». Ne pas utiliser le système si l'inspection révèle une condition dangereuse ou défectueuse. Retirer le système du service et le détruire, ou contacter 3M pour effectuer une réparation ou un remplacement.

5.0 INSPECTION

5.1 FRÉQUENCE D'INSPECTION : la potence HC pour espaces confinés doit être inspectée aux intervalles définis à la section 1. Les procédures d'inspection sont décrites dans le « *Journal d'inspection et d'entretien* ». Inspecter tous les autres composants du système de protection antichute conformément aux fréquences et aux procédures figurant dans les instructions du fabricant.

5.2 DÉFECTUOSITÉS : si l'inspection révèle un état dangereux ou défectueux, mettre immédiatement hors service la potence HC pour espaces confinés et contacter 3M pour effectuer un remplacement ou une réparation. Ne pas essayer de réparer le dispositif antichute.

Les réparations doivent être effectuées par les réparateurs agréés uniquement : Seul 3M ou les parties agréées par écrit peuvent réparer cet équipement.

5.3 DURÉE DE VIE DU PRODUIT : la durée de vie fonctionnelle de la potence HC pour espaces confinés est déterminée par les conditions de travail et l'entretien. Le produit peut rester en service tant qu'il répond aux critères d'inspection.

6.0 ENTRETIEN, RÉVISION, STOCKAGE

6.1 NETTOYAGE : nettoyer régulièrement les composants métalliques de la potence HC pour espaces confinés avec une brosse douce, de l'eau chaude et une solution légèrement savonneuse. Veiller à rincer les pièces abondamment à l'eau propre.

6.2 RÉPARATION : Seul 3M ou les parties agréées par écrit par 3M peuvent réparer cet équipement. Si la potence HC pour espaces confinés a été soumise à une force suite à une chute ou si l'inspection révèle un état dangereux ou défectueux, mettre immédiatement le système hors service et contacter 3M pour effectuer un remplacement ou une réparation.

6.3 STOCKAGE ET TRANSPORT : lorsque la potence HC pour espaces confinés n'est pas utilisée ou lorsque cela est nécessaire, la ranger avec ses équipements de protection antichute associés dans un endroit frais, sec et propre, à l'abri des rayons du soleil. Éviter les endroits pouvant contenir des vapeurs chimiques. Inspecter soigneusement les pièces après une période de stockage prolongée.

7.0 ÉTIQUETTES

La figure 11 illustre les étiquettes situées sur la potence HC pour espaces confinés. Les étiquettes doivent être remplacées si elles ne sont pas parfaitement lisibles.

Tableau 2 – Journal d’inspection et d’entretien

Date d’inspection :		Inspection par :	
Composants :	Inspection : (Voir la Section 5 pour la <i>Fréquence des inspections</i>)	Utilisateur	Personne compétente
Potence pour espaces confinés (Figures 1 et 2)	Inspecter la potence HC pour espaces confinés afin de détecter la présence de fissures, d’entailles ou de déformations.	<input type="checkbox"/>	<input type="checkbox"/>
	Inspecter l’ensemble de l’unité pour détecter des traces de corrosion.	<input type="checkbox"/>	<input type="checkbox"/>
	Inspecter tous les éléments de fixation pour s’assurer qu’ils sont bien serrés. Serrer si nécessaire.	<input type="checkbox"/>	<input type="checkbox"/>
	Procéder à l’inspection pour s’assurer que toutes les goupilles sont entièrement insérées et que les goupilles d’attelage sont bien fixées avec les eses.	<input type="checkbox"/>	<input type="checkbox"/>
Étiquettes (Figure 11)	Vérifier que toutes les étiquettes sont correctement fixées et lisibles (voir « <i>Étiquettes</i> »)	<input type="checkbox"/>	<input type="checkbox"/>
PFAS et autres équipements	Tout équipement de protection individuelle (EPI) antichute supplémentaire (harnais, dispositif antichute à rappel automatique, etc.) utilisé avec la potence doit être installé et inspecté conformément aux instructions du fabricant.	<input type="checkbox"/>	<input type="checkbox"/>
Numéro(s) de série :		Date d’achat :	
Numéro du modèle :		Date de la première utilisation :	
Mesures correctives/entretien :		Approuvé par :	
		Date :	
Mesures correctives/entretien :		Approuvé par :	
		Date :	
Mesures correctives/entretien :		Approuvé par :	
		Date :	
Mesures correctives/entretien :		Approuvé par :	
		Date :	
Mesures correctives/entretien :		Approuvé par :	
		Date :	
Mesures correctives/entretien :		Approuvé par :	
		Date :	
Mesures correctives/entretien :		Approuvé par :	
		Date :	
Mesures correctives/entretien :		Approuvé par :	
		Date :	
Mesures correctives/entretien :		Approuvé par :	
		Date :	
Mesures correctives/entretien :		Approuvé par :	
		Date :	
Mesures correctives/entretien :		Approuvé par :	
		Date :	
Mesures correctives/entretien :		Approuvé par :	
		Date :	

INFORMAZIONI SULLA SICUREZZA

Leggere, comprendere e seguire tutte le informazioni sulla sicurezza contenute nelle presenti istruzioni prima di utilizzare questo dispositivo di salvataggio/accesso a spazi confinati. IL MANCATO RISPETTO DELLE ISTRUZIONI PUÒ CAUSARE GRAVI LESIONI PERSONALI O MORTE.

Fornire le presenti istruzioni all'utente dell'attrezzatura. Conservare queste istruzioni come riferimento in futuro.

Uso previsto:

Questo dispositivo di salvataggio/accesso a spazi confinati deve essere utilizzato come parte di un sistema di salvataggio o protezione anticaduta personale completo.

L'utilizzo per qualsiasi altra applicazione incluse, ma non solo, applicazioni di manipolazione di materiale non approvate, attività correlate ricreative o sportive oppure altre attività non descritte nelle istruzioni per l'utente o nelle istruzioni di installazione, non è approvato da 3M e può causare gravi lesioni personali o morte.

Il presente dispositivo deve essere utilizzato esclusivamente da utenti addestrati nelle applicazioni relative all'ambito di lavoro.

AVVERTENZA

Questo dispositivo di salvataggio/accesso a spazi confinati fa parte di un sistema di salvataggio o protezione anticaduta personale. Si prevede, pertanto, che tutti gli utenti siano completamente addestrati all'installazione e all'utilizzo sicuri del sistema completo. **L'uso improprio del presente dispositivo può comportare gravi lesioni personali o morte.** Per le modalità corrette di selezione, funzionamento, installazione, manutenzione e assistenza, consultare tutte le istruzioni del prodotto e tutte le raccomandazioni fornite dal produttore; altrimenti rivolgersi al proprio supervisore o contattare l'assistenza tecnica di 3M.

- **Per ridurre i rischi associati all'utilizzo di un dispositivo di salvataggio/accesso a spazi confinati che, se non evitati, potrebbero causare gravi lesioni personali o morte:**
 - Ispezionare il dispositivo prima di ogni uso, almeno una volta all'anno, e dopo qualsiasi evento di caduta. Le ispezioni devono essere eseguite conformemente a quanto indicato nelle istruzioni per l'utente.
 - Se, a seguito dell'ispezione, viene individuata una condizione di non sicurezza o difetto, dismettere il dispositivo e ripararlo o sostituirlo secondo le istruzioni per l'utente.
 - Ogni dispositivo che è stato sottoposto all'arresto caduta o a una forza d'impatto deve essere immediatamente rimosso dal servizio. Fare riferimento alle istruzioni per l'utente o contattare la protezione anticaduta di 3M.
 - Il dispositivo deve essere installato esclusivamente nella maniera indicata nel dettaglio nelle istruzioni di installazione o nelle istruzioni per l'utente. Installazioni e usi che fuoriescono dall'ambito delle istruzioni devono essere approvati per iscritto dalla protezione anticaduta di 3M.
 - Il substrato o la struttura a cui è attaccato il dispositivo deve essere in grado di sostenere i carichi statici specificati per il dispositivo con gli orientamenti consentiti nelle istruzioni per l'utente o nelle istruzioni di installazione.
 - Non superare il numero di utenti consentiti.
 - Non lavorare mai sotto un operatore o un carico sospeso.
 - Fare attenzione quando si installa, si utilizza o si muove il dispositivo, poiché alcune parti mobili potrebbero creare potenziali punti di impiglio. Consultare le istruzioni per l'utente.
 - Assicurarsi che le procedure di lock-out/tag-out siano state rispettate per quanto applicabile.
 - Non attaccare mai un sistema finché non è stato posizionato, assemblato completamente, regolato e installato. Non regolare il sistema quando è attaccato a un utente.
 - Collegare solo i sottosistemi di protezione anticaduta al punto di collegamento dell'ancoraggio designato sul dispositivo.
 - Prima di eseguire una perforazione o un fissaggio, assicurarsi che non ci siano linee elettriche, del gas o altri sistemi incorporati critici con cui il trapano o il dispositivo possa venire in contatto.
 - Assicurarsi che i sistemi/sottosistemi di protezione anticaduta assemblati con componenti realizzati da produttori diversi siano compatibili e soddisfino i requisiti degli standard applicabili, inclusi ANSI Z359 o altri codici, standard o requisiti relativi alla protezione anticaduta pertinenti. Consultare sempre una persona competente o qualificata prima di utilizzare questi sistemi.
- **Per ridurre i rischi associati al lavoro in altezza che, se non evitati, potrebbero causare gravi lesioni personali o morte:**
 - Assicurarsi che le proprie condizioni fisiche e di salute permettano una resistenza in completa sicurezza a tutte le forze associate al lavoro in altezza. Consultare il proprio medico in caso di domande relative alla propria capacità d'uso di questa attrezzatura.
 - Non superare mai la capacità consentita della propria attrezzatura di protezione anticaduta.
 - Non superare mai la distanza massima di caduta libera della propria attrezzatura di protezione anticaduta.
 - Non utilizzare mai un'attrezzatura di protezione anticaduta che non abbia superato l'ispezione prima dell'uso o altri controlli programmati oppure in caso di dubbi sull'uso o sull'idoneità dell'attrezzatura in merito all'applicazione. Per eventuali domande, contattare l'assistenza tecnica di 3M.
 - Alcune combinazioni di sottosistemi e componenti potrebbero compromettere il funzionamento di questa attrezzatura. Utilizzare solo collegamenti compatibili. Consultare 3M prima di utilizzare questa attrezzatura in combinazione con componenti o sottosistemi diversi da quelli descritti nelle presenti istruzioni per l'utente.
 - Prestare particolare attenzione in presenza di macchinari in movimento (ad es., il top drive delle torri di perforazione), rischi di carattere elettrico, temperature estreme, rischi di carattere chimico, gas esplosivi o tossici, bordi taglienti oppure al di sotto di materiali sospesi che potrebbero cadere sull'utente o sulla attrezzatura di protezione anticaduta.
 - Utilizzare dispositivi Arc Flash o Hot Works quando si lavora in ambienti che presentano temperature elevate.
 - Evitare superfici e oggetti che possano danneggiare l'utente o l'attrezzatura.
 - Durante il lavoro in altezza assicurarsi che ci sia un tirante d'aria di caduta adeguato.
 - Non modificare o alterare mai la propria attrezzatura di protezione anticaduta. Solo 3M o centri con autorizzazione scritta di 3M possono procedere alla riparazione dell'attrezzatura.
 - Prima di utilizzare l'attrezzatura di protezione anticaduta, assicurarsi che esista un piano di salvataggio che permetta un salvataggio immediato nel caso in cui si verifichi un incidente.
 - In caso di incidente, fare in modo che il lavoratore caduto sia sottoposto immediatamente alle cure di un medico.
 - Non utilizzare una cintura in vita per applicazioni di arresto caduta. Utilizzare esclusivamente un'imbracatura integrale.
 - Ridurre al minimo le cadute con pendolo lavorando il più possibile direttamente sotto il punto di ancoraggio.
 - Durante la formazione con questo dispositivo, deve essere utilizzato un sistema di protezione anticaduta secondario in modo da non esporre l'utente a un pericolo di caduta involontario.
 - Quando si installa, utilizza o ispeziona il dispositivo/sistema, indossare sempre i dispositivi di protezione individuale idonei.

Prima di installare e utilizzare l'attrezzatura, registrare le informazioni di identificazione dell'articolo dall'etichetta identificativa nel Registro di ispezione e manutenzione (2) che si trova sul retro del presente manuale.

DESCRIZIONE ARTICOLO:

La Figura 1 illustra il gruppo della gru ad alta capacità per spazi confinati 3M™. Il gruppo della gru ad alta capacità per spazi confinati viene utilizzato per sollevare o abbassare un operatore in uno spazio di lavoro e fornire un arresto caduta e un punto di ancoraggio per il salvataggio. Queste istruzioni fanno riferimento ai seguenti componenti del gruppo della gru ad alta capacità per spazi confinati:

- (A) Gru ad alta capacità a portata ridotta numero parte 8000107, gru ad alta capacità a portata lunga numero parte 8000108.
- (B) Quattro lunghezze di estensione del montante disponibili.
- (C) Gruppo universale numero parte 8000109.
- (D) Braccio a disassamento a portata ridotta numero parte 8000110, (e) braccio a disassamento a portata lunga numero parte 8000111.
- (F) Staffa del verricello numero parte 8000117 (inclusa nel gruppo universale per il verricello o il dispositivo anticaduta retrattile con montaggio posteriore; è richiesta una staffa del verricello aggiuntiva 8000117 per il montaggio anteriore del verricello o del dispositivo anticaduta retrattile).

Il montante del gruppo della gru ad alta capacità per spazi confinati è installato su una base 3M appropriata, disponibile separatamente. Vedere la Tabella 1 - Specifiche.

L'installazione deve essere approvata da un ingegnere qualificato nel rispetto delle normative locali. Fare riferimento alle istruzioni per l'installazione della base. Le estensioni dei montanti del gruppo della gru ad alta capacità per spazi confinati non possono essere impilate. È possibile utilizzare al massimo una sola estensione di montante per base della gru.

Tabella 1 - Specifiche

Specifiche del sistema:		
Capacità:	<p>Arresto caduta: EN795:2012 e CEN/TS 16415:2013 tarato per uno o due utenti. Salvataggio: EN1496:2006 tarato per un utente con peso combinato massimo di 140 kg (310 lb), inclusi utensili e apparecchiatura, sul cavo durante l'uso. Movimentazione di materiali: una capacità di 205 kg (450 lb) quando utilizzato su qualsiasi base portatile ad alta capacità 3M (a 3 pezzi, gancio di traino o carrello contrappeso) e una capacità di 340 kg (750 lb) quando utilizzato su qualsiasi base permanente ad alta capacità 3M (montaggio a pavimento, montaggio a parete, montaggio per impalcati o montaggi per carotaggio). Vedere le specifiche della capacità di movimentazione di materiali di seguito:</p>	
	Capacità di movimentazione di materiali (kg, lb)	Descrizione della base 3M
	205 kg (450 lb)	Base a 3 pezzi a portata ridotta
	205 kg (450 lb)	Base a 3 pezzi a portata lunga
	205 kg (450 lb)	Base con gancio di traino
	205 kg (450 lb)	Base con carrello contrappeso
	340 kg (750 libbre)	Base con montaggio a pavimento
	340 kg (750 libbre)	Base con montaggio a parete
	340 kg (750 libbre)	Base con montaggio per impalcati
	340 kg (750 libbre)	Base con montaggio per carotaggi
	340 kg (750 libbre)	Montaggio per carotaggi con base a piastra superiore
Dimensioni:	vedere la Figura 1 per le dimensioni dei componenti del gruppo della gru ad alta capacità per spazi confinati.	
Peso dell'articolo:	vedere la Figura 1 per il peso dei componenti del gruppo della gru ad alta capacità per spazi confinati.	
Certificazione:	quando utilizzato con basi ad alta capacità portatili o permanenti, i bracci della gru ad alta capacità e le estensioni dei montanti ad alta capacità devono disporre di certificazione.	
	Basi portatili	EN795:2012 CEN/TS16415:2013
		EN1496:2006
	Base a 3 pezzi (8000104, 8000105)	Con certificazione (Tipo B)
	Base con gancio di traino (8000103)	Con certificazione (Tipo B)
	Base con carrello contrappeso (8000106)	Con certificazione (Tipo B)
	Basi permanenti	
	Base con montaggio a pavimento (8000095, 8000096)	Soddisfa i requisiti (Tipo A)
	Base con montaggio a parete (8000101, 8000102)	Soddisfa i requisiti (Tipo A)
	Base con montaggio per impalcati (8000099, 8000100)	Soddisfa i requisiti (Tipo A)
	Base con montaggio per carotaggi (8000089, 8000090)	Soddisfa i requisiti (Tipo A)
	Montaggio per carotaggi con base a piastra superiore (8000091, 8000092)	Soddisfa i requisiti (Tipo A)

Tabella 1 – Specifiche

Nella Figura 2 sono riportate le specifiche dei materiali dei componenti del gruppo della gru ad alta capacità per spazi confinati.

Figura di riferimento 2	Componente	Materiali
(A)	Braccio della gru	Alluminio 6061-T6
(B)	Perno di arresto	Acciaio zincato
(C)	Puleggia gru posteriore	Acetale nero
(D)	Puleggia del braccio della gru (2)	Delrin
(E)	Puleggia del braccio della gru inferiore	Delrin
(F)	Staffa a U (2)	Acciaio inossidabile
(G)	Estensione del montante della gru	Alluminio 6061 e acciaio zincato
(H)	Staffa del verricello	Acciaio zincato

1.0 APPLICAZIONE DELL'ARTICOLO

- 1.1 FINALITÀ:** il gruppo della gru ad alta capacità per spazi confinati viene utilizzato per sollevare o abbassare un operatore in uno spazio di lavoro e fornire un arresto caduta e un punto di ancoraggio per il salvataggio.
- 1.2 STANDARD:** questo gruppo della gru ad alta capacità per spazi confinati è conforme agli standard nazionali o regionali segnalati sulla copertina anteriore e nella Tabella 1 di queste istruzioni. Se l'articolo viene rivenduto al di fuori del Paese di destinazione originario, il rivenditore dovrà fornire le presenti istruzioni nella lingua del Paese in cui dovrà essere utilizzato l'articolo.
- 1.3 INSTALLAZIONE E SUPERVISIONE:** l'installazione del gruppo della gru ad alta capacità per spazi confinati deve essere supervisionata da una persona competente¹. Una persona qualificata² deve verificare che le caratteristiche strutturali dell'installazione siano conformi alle normative locali e federali. Una persona qualificata deve consigliare i dispositivi di fissaggio adatti e la collocazione corretta del gruppo della gru ad alta capacità per spazi confinati. L'impiego della gru e della relativa attrezzatura di protezione anticaduta deve essere supervisionato da una persona competente.
- 1.4 FORMAZIONE:** l'attrezzatura deve essere installata e utilizzata da personale qualificato. Questo manuale può essere utilizzato nell'ambito di un programma di formazione dei dipendenti e/o per fini legati ai regolamenti regionali. È responsabilità degli utenti e degli installatori dell'attrezzatura assicurarsi di avere dimestichezza con queste istruzioni e di conoscere correttamente le procedure di uso e manutenzione, di essere consapevoli delle caratteristiche di funzionamento, dei limiti di applicazione e delle conseguenze di un uso improprio.
- 1.5 PIANO DI SALVATAGGIO:** durante l'utilizzo della gru e dell'attrezzatura di protezione anticaduta collegata, il datore di lavoro deve disporre di un piano di salvataggio, nonché dei mezzi per implementarlo. Inoltre, deve comunicare tale piano agli utenti. Si consiglia la presenza in loco di una squadra di soccorso addestrata. I membri della squadra devono conoscere le tecniche e disporre dell'attrezzatura necessaria per un soccorso efficace. La formazione deve essere fornita periodicamente per garantire la competenza dei soccorritori.
- 1.6 FREQUENZA DELLE ISPEZIONI:** il gruppo della gru ad alta capacità per spazi confinati deve essere ispezionato dall'utente prima di ciascun utilizzo e da una persona competente diversa dall'utente, almeno una volta l'anno.³ Le procedure d'ispezione sono descritte nel "Registro di ispezione e manutenzione". I risultati di ciascuna ispezione della persona competente devono essere registrati in copie del "Registro di ispezione e manutenzione".

2.0 REQUISITI DI SISTEMA

- 2.1 COMPATIBILITÀ DEI COMPONENTI:** l'attrezzatura 3M è progettata solo per l'utilizzo con altri componenti e sottosistemi approvati da 3M. Eventuali sostituzioni con componenti o sottosistemi non approvati potrebbero compromettere la compatibilità dell'attrezzatura e la sicurezza, nonché l'affidabilità di tutto il sistema.
- 2.2 SISTEMA DI PROTEZIONE ANTICADUTA:** i sistemi di protezione anticaduta utilizzati con questo sistema devono soddisfare gli standard, i codici e i requisiti applicabili di protezione anticaduta. Il sistema di protezione anticaduta deve essere dotato di imbracatura integrale e limitare la forza di arresto ai seguenti valori:

	Forza di arresto massima	Caduta libera
Sistema di protezione anticaduta con cordino assorbitore di energia	6 kN (1.350 libbre)	Fare riferimento alle istruzioni incluse con cordino o SRD per le limitazioni di caduta libera.
Sistemi di protezione anticaduta con dispositivo autoretrattile (SRD)	6 kN (1.350 libbre)	

1 Persona competente: persona in grado di individuare i rischi esistenti e prevedibili nell'ambiente circostante o condizioni di lavoro malsane, rischiose o pericolose per i dipendenti, autorizzata a prendere immediati provvedimenti per porvi rimedio.

2 Persona qualificata: persona con un diploma o un certificato professionale riconosciuto e un'esperienza approfondita nel campo della protezione anticaduta. Questa persona deve essere in grado di progettare, analizzare, valutare e specificare i dati della protezione anticaduta.

3 Frequenza delle ispezioni: condizioni di lavoro estreme (ambienti proibitivi, uso prolungato e così via) possono richiedere un incremento nella frequenza delle ispezioni da parte della persona competente.

3.0 INSTALLAZIONE

3.1 PIANIFICAZIONE: pianificare il proprio sistema di protezione anticaduta prima dell'utilizzo e dell'installazione del gruppo della gru ad alta capacità per spazi confinati. Considerare tutti i fattori che possono influire sulla propria sicurezza prima, durante e dopo una caduta.

- Prima di iniziare, pianificare il proprio lavoro. Disporre per il lavoro le persone, l'attrezzatura e le procedure necessarie.
- Lavorare sempre a squadre. Una sola persona viene sollevata o abbassata e l'altra persona rilascia il cavo e lo riavvolge.
- Indossare abbigliamento appropriato come un elmetto rigido, occhiali di protezione, scarpe protettive con soles antiscivolo, guanti pesanti, abbigliamento protettivo e una mascherina.
- Le estensioni dei montanti del gruppo della gru ad alta capacità per spazi confinati non possono essere impilate. È possibile utilizzare al massimo una sola estensione di montante per base della gru.
- Tutte le parti di montaggio del dispositivo anticaduta retrattile e del verricello e la bulloneria devono essere forniti e approvati da 3M Fall Protection.
- Ancorare bene il verricello prima di utilizzarlo.
- Gli utenti del sistema devono utilizzare un'imbracatura integrale approvata.
- Utilizzare unicamente dispositivi retrattili o assorbitori di energia con una forza massima di arresto uguale o inferiore a quella del componente del sistema dalla capacità nominale più bassa.
- I dispositivi retrattili o gli assorbitori di energia devono essere installati e utilizzati secondo le istruzioni del produttore.
- I componenti modulari hanno etichette con le capacità e i limiti di esercizio per cui sono stati progettati, collaudati e prodotti. Il limite di esercizio di un qualsiasi sistema è considerato uguale a quello del componente del sistema dalla capacità nominale più bassa. Non utilizzare l'attrezzatura se le etichette relative ai limiti di esercizio sono danneggiate o illeggibili. 3M Fall Protection ha reso disponibili nuove etichette.
- Il gruppo della gru ad alta capacità per spazi confinati deve essere rimosso dal sito di lavoro quando non più necessario.

3.2 INSTALLARE IL GRUPPO DELLA GRU AD ALTA CAPACITÀ PER SPAZI CONFINATI:

1. (Figura 3) Inserire l'estensione del montante del gruppo della gru ad alta capacità per spazi confinati in una base della gru ad alta capacità 3M installata. Vedere la Tabella 1 per le descrizioni della base 3M. Per fissare la base della gru alla struttura di ancoraggio, seguire le istruzioni per l'installazione della base della gru.
2. Fissare il gruppo di testa della gru al gruppo universale:
 - a. (Figura 4a) Inserire il tubo angolare della testa della gru (A) nella saldatura del supporto angolare del gruppo universale (B). Utilizzare il perno di arresto (C) per fissare il tubo angolare alla saldatura del supporto angolare.
 - b. (Figura 4b) Utilizzare il perno dell'attacco (D) per fissare il tubo del braccio della testa della gru tra le piastre laterali (E) del gruppo universale. Fissare il perno dell'attacco con il perno ad anello collegato al lato opposto del gruppo universale.
3. (Figura 5) Posizionare il braccio della gru/gruppo universale assemblato sull'estensione del montante. Il bordo inferiore del tubo del braccio della gru deve essere a contatto con la tacca in rilievo dell'estensione del montante. Centrare la tacca nella parte inferiore del tubo del braccio della gru sulla vite posizionata sulla tacca in rilievo dell'estensione del montante.
4. (Figura 6) La lunghezza dell'estensione del braccio della gru deve essere regolata su una delle quattro posizioni disponibili. Rimuovere il perno di arresto (A) e far scorrere l'estensione del braccio della gru verso l'esterno o l'interno in modo da raggiungere la lunghezza desiderata. Il braccio della gru deve essere fissato su questa posizione dell'estensione con il perno di arresto (A). Inserire completamente il perno di arresto.
5. (Figura 7) L'angolo del braccio della gru può essere regolato su una delle tre posizioni disponibili. Rimuovere il perno di arresto (C) e far scorrere il tubo angolare (A) verso l'interno o l'esterno della saldatura del supporto angolare (B). Il tubo angolare deve essere fissato con il perno di arresto (C). Inserire completamente il perno di arresto.
6. (Figura 8) Installare il verricello secondo le istruzioni del produttore. Il verricello viene montato mediante la staffa corrispondente fornita con il gruppo universale. Il cavo del verricello viene generalmente instradato sulla puleggia posteriore (A) nel gruppo universale e sulla puleggia anteriore superiore (B) nel braccio della gru. È possibile utilizzare una configurazione di montaggio anteriore alternativa e/o aggiuntiva. Vedere la sezione 3.3.

3.3 STAFFA DEL VERRICELLO 8000117:

1. (Figura 9) È possibile aggiungere un verricello o un dispositivo anticaduta retrattile con montaggio anteriore all'estensione del montante del gruppo della gru ad alta capacità per spazi confinati installando una seconda staffa del verricello 8000117 (acquistata separatamente). Fissare la staffa del verricello (A) sull'estensione del montante utilizzando i due perni di arresto della staffa del verricello (B). Il cavo del verricello o del dispositivo anticaduta retrattile utilizza la puleggia anteriore (C) nel gruppo universale e la puleggia anteriore inferiore (D) nel braccio della gru.

3.4 PUNTI DI ATTACCO CON STAFFA A U:

(Figura 10) I due punti di attacco con staffa a U (A e B) possono essere utilizzati per l'arresto caduta, il salvataggio e la movimentazione di materiali. Quando si utilizza il punto di attacco A della staffa a U, non superare la distanza orizzontale di 38 cm (15 poll.) dalla base della gru.

4.0 USO

4.1 PRIMA DI OGNI USO: verificare che la propria area di lavoro e il sistema di protezione anticaduta soddisfino tutti i criteri definiti nella sezione 2 e che sia messo in atto un piano formale di salvataggio. Ispezionare il gruppo della gru ad alta capacità per spazi confinati in base ai punti di ispezione "Utente" indicati nel "Registro di ispezione e manutenzione" in questo manuale. Non utilizzare il sistema se l'ispezione rivela una condizione pericolosa o difettosa. Ritirare il sistema dal servizio e distruggerlo o contattare 3M per un'eventuale riparazione o sostituzione.

5.0 ISPEZIONE

5.1 FREQUENZA DELLE ISPEZIONI: il gruppo della gru ad alta capacità per spazi confinati deve essere sottoposto a ispezione agli intervalli definiti nella sezione 1. Le procedure di ispezione sono descritte nel "Registro di ispezione e manutenzione". Ispezionare tutti gli altri componenti del sistema di protezione anticaduta seguendo la frequenza e le procedure indicate nelle istruzioni del produttore.

5.2 DIFETTI: qualora l'ispezione riveli una condizione pericolosa o difettosa, rimuovere immediatamente il gruppo della gru ad alta capacità per spazi confinati e contattare 3M per un'eventuale sostituzione o riparazione. Non cercare di riparare il sistema d'arresto caduta.

Solo riparazioni autorizzate: solo 3M o centri con autorizzazione scritta possono procedere alla riparazione di questa attrezzatura.

5.3 VITA DEL PRODOTTO: la durata operativa del gruppo della gru ad alta capacità per spazi confinati dipende dalle condizioni di lavoro e dalla manutenzione. L'articolo può rimanere in servizio finché è in grado di soddisfare i criteri di ispezione.

6.0 MANUTENZIONE, ASSISTENZA E STOCCAGGIO

6.1 PULIZIA: pulire regolarmente i componenti metallici del gruppo della gru ad alta capacità per spazi confinati con una spazzola morbida, acqua calda e un detergente neutro. Accertarsi che le parti siano completamente risciacquate con acqua pulita.

6.2 ASSISTENZA: solo 3M o centri con autorizzazione scritta da parte di 3M possono procedere alla riparazione di questa attrezzatura. Se il gruppo della gru ad alta capacità per spazi confinati è stata sottoposto a forza di caduta o in seguito a un'ispezione viene individuata una condizione di non sicurezza o difetto, ritirarlo immediatamente dal servizio e contattare 3M per un'eventuale riparazione o servizio.

6.3 CONSERVAZIONE E TRASPORTO: quando non viene utilizzata, conservare e trasportare il gruppo della gru ad alta capacità per spazi confinati e la relativa attrezzatura di protezione anticaduta in un ambiente fresco, asciutto e pulito, lontano da luce solare diretta. Evitare zone con vapori chimici. Dopo un lungo periodo di inutilizzo, ispezionare attentamente i componenti.

7.0 ETICHETTE

La Figura 11 mostra le etichette presenti sul gruppo della gru ad alta capacità per spazi confinati. Sostituire le etichette se non sono completamente leggibili.

Tabella 2 - Registro di ispezione e manutenzione

Data di ispezione:		Ispezionato da:	
Componenti:	Ispezione: (vedere la Sezione 5 per la <i>Frequenza delle ispezioni</i>)	Utente	Persona competente
Gruppo della gru per spazi confinati (Figure 1 e 2)	Verificare che il gruppo della gru ad alta capacità per spazi confinati non presenti incrinature, ammaccature o deformità.	<input type="checkbox"/>	<input type="checkbox"/>
	Verificare che l'intera unità non presenti corrosioni.	<input type="checkbox"/>	<input type="checkbox"/>
	Controllare tutti i dispositivi di fissaggio, verificando che siano serrati. Serrare se necessario.	<input type="checkbox"/>	<input type="checkbox"/>
	Controllare che tutti i perni siano completamente inseriti e che i perni di aggancio siano correttamente fissati tramite perni ad anello.	<input type="checkbox"/>	<input type="checkbox"/>
Etichette (Figura 11)	Verificare che tutte le etichette siano saldamente attaccate e leggibili (vedere la sezione "Etichette").	<input type="checkbox"/>	<input type="checkbox"/>
Sistemi di protezione anticaduta e altra attrezzatura	Gli elementi dell'attrezzatura aggiuntiva del sistema di protezione anticaduta (imbracatura, dispositivo anticaduta retrattile, ecc.) che sono utilizzati insieme alla gru devono essere installati e ispezionati conformemente alle istruzioni del produttore.	<input type="checkbox"/>	<input type="checkbox"/>

Numeri di serie:	Data di acquisto:
Numero modello:	Data del primo utilizzo:
Azione correttiva/Manutenzione:	Approvato da:
	Data:
Azione correttiva/Manutenzione:	Approvato da:
	Data:
Azione correttiva/Manutenzione:	Approvato da:
	Data:
Azione correttiva/Manutenzione:	Approvato da:
	Data:
Azione correttiva/Manutenzione:	Approvato da:
	Data:
Azione correttiva/Manutenzione:	Approvato da:
	Data:
Azione correttiva/Manutenzione:	Approvato da:
	Data:
Azione correttiva/Manutenzione:	Approvato da:
	Data:
Azione correttiva/Manutenzione:	Approvato da:
	Data:
Azione correttiva/Manutenzione:	Approvato da:
	Data:
Azione correttiva/Manutenzione:	Approvato da:
	Data:
Azione correttiva/Manutenzione:	Approvato da:
	Data:
Azione correttiva/Manutenzione:	Approvato da:
	Data:

VEILIGHEIDSINFORMATIE

Lees alle veiligheidsinformatie in deze instructies voordat u dit systeem voor het betreden van/reddingswerk in besloten ruimten gebruikt en vergewis u ervan dat u alle informatie begrepen hebt en volgt. **NALATIGHEID KAN ERNSTIG LETSEL OF DE DOOD TOT GEVOLG HEBBEN.**

Deze instructies dienen aan de gebruiker van deze apparatuur verstrekt te worden. Bewaar deze instructies zodat u ze later kunt raadplegen.

Beoogd gebruik:

Dit systeem voor het betreden van/reddingswerk in besloten ruimten is bedoeld voor gebruik als onderdeel van een volledig persoonlijk valbeveiligingssysteem of reddingssysteem.

Gebruik in andere toepassingen, inclusief (maar niet beperkt tot) niet goedgekeurde toepassingen in materiaalbehandeling, vrijetijdsactiviteiten, sporten of andere activiteiten die niet in de gebruiks- of installatie instructies omschreven staan, wordt niet goedgekeurd door 3M en kan leiden tot een ongeval met ernstig letsel of de dood tot gevolg.

Dit apparaat mag uitsluitend worden gebruikt door opgeleide gebruikers voor toepassing op de werkplaats.

WAARSCHUWING

Dit systeem voor het betreden van/reddingswerk in besloten ruimten is onderdeel van een persoonlijk valbeveiligingssysteem of reddingssysteem. Er wordt verwacht dat alle gebruikers volledig zijn opgeleid voor een veilige installatie en veilig gebruik van het complete systeem. **Misbruik van dit apparaat kan leiden tot ernstig letsel of een dodelijk ongeval.** Raadpleeg voor het correct selecteren, installeren, bedienen, onderhouden en verzorgen alle productinstructies, inclusief alle aanbevelingen van de fabrikant, of raadpleeg uw leidinggevende of neem contact op met 3M Technical Services.

- **Doe het volgende om de risico's te beperken die gepaard gaan met het werken met een systeem voor het betreden van/reddingswerk in besloten ruimten, waarbij nalatigheid kan leiden tot ernstig letsel of een dodelijk ongeval:**
 - Inspecteer voorafgaand aan elk gebruik alle onderdelen van het systeem, minstens één keer per jaar en na elke valgebeurtenis. Voer de inspectie uit aan de hand van de gebruiksaanwijzing.
 - Als uit inspectie een defect of onveilige werking blijkt, stelt u het apparaat onmiddellijk buiten gebruik en zorgt u voor reparatie of vervanging volgens de gebruiksinstructies.
 - Systemen die onderworpen zijn aan valstop- of botskrachten, moeten onmiddellijk buiten gebruik worden gesteld. Raadpleeg de gebruikersinstructies of neem contact op met 3M Valbescherming.
 - Het apparaat mag alleen worden geïnstalleerd op de wijze die is beschreven in de installatie-instructies of gebruikersinstructies. Installaties en gebruik dat buiten het bereik van de instructie valt moet schriftelijk door 3M Fall Protection zijn goedgekeurd.
 - Het substraat of de structuur waarop het apparaat is bevestigd/gepositioneerd, moet de statische belastingen die zijn opgegeven voor het apparaat, kunnen ondersteunen in de oriëntaties die in de gebruiksaanwijzing of installatie-instructies zijn toegestaan.
 - Het aantal geoorloofde gebruikers niet overschrijden.
 - Werk nooit onder een hangende lading of werknemer.
 - Wees voorzichtig bij het installeren, gebruiken en verplaatsen van het apparaat aangezien bewegende delen potentiële afknelpunten kunnen creëren. Raadpleeg de gebruikersinstructies.
 - Zorg ervoor dat er correcte uitschakelprocedures, zoals van toepassing, zijn gevolgd.
 - Verbind u nooit aan een systeem voordat het volledig is gemonteerd, geplaatst, aangepast en geïnstalleerd. Stel het systeem niet bij wanneer een gebruiker is aangesloten.
 - Sluit beveiligingssubsystemen uitsluitend aan op het aangewezen verbindingspunt van het apparaat.
 - Zorg er bij het boren van gaten voor montage of installatie van het systeem voor dat er geen elektrische kabels, gasleidingen of andere kritische materialen of apparatuur door de boor kunnen worden geraakt.
 - Zorg ervoor dat valbeveiligingssysteem/-subsystemen samengesteld uit onderdelen van verschillende fabrikanten compatibel zijn en aan de geldende normen voldoen, waaronder ANSI Z359 of andere geldende voorschriften, normen of vereisten op het gebied van valbescherming. Raadpleeg altijd een deskundige en/of een gekwalificeerd persoon voordat u deze systemen gebruikt.
- **Doe het volgende om de risico's te beperken die gepaard gaan met het werken op hoogte, waarbij nalatigheid kan leiden tot een ongeval met ernstig letsel of de dood tot gevolg:**
 - Vergewist u zich ervan dat u met uw gezondheid en lichamelijke conditie veilig bestand bent tegen alle krachten die kunnen optreden bij het werken op hoogte. Raadpleeg uw arts als u vragen heeft over of u in staat bent om deze uitrusting te gebruiken.
 - Overschrijd nooit de toelaatbare capaciteit van uw valbeveiligingsuitrusting.
 - Overschrijd nooit de maximale vrijevalafstand van uw valbeveiligingsuitrusting.
 - Gebruik nooit valbeveiligingsuitrusting die een gebrek vertoont bij de inspectie vóór het gebruik of andere periodieke inspecties, of als u onzeker bent over het gebruik of de geschiktheid van de uitrusting voor uw toepassing. Neem voor al uw vragen contact op met 3M Technical Services.
 - Sommige combinaties van subsystemen en componenten kunnen de werking van deze uitrusting verstoren. Gebruik uitsluitend koppelingen die onderling geschikt zijn. Raadpleeg 3M voordat u deze apparatuur gebruikt in combinatie met andere componenten of subsystemen dan in de gebruikersinstructies beschreven staan.
 - Wees extra voorzichtig bij het werken in de buurt van bewegende machines (bijv. de bovenaandrijving van een boorplatform), op plaatsen met elektrische gevaren, extreme temperaturen, gevaar van chemische middelen, explosieve of giftige gassen, scherpe randen of onder voorwerpen boven het hoofd die op u of uw valbeveiligingsuitrusting kunnen vallen.
 - Gebruik bij werken in een hete omgeving of met hitteapparatuur beschermingsmiddelen tegen risico's op een vlamboog en brandgevaar.
 - Vermijd oppervlakken en voorwerpen die de gebruiker of de uitrusting kunnen beschadigen.
 - Vergewist u zich ervan dat er voldoende vrije val is bij werken op hoogte.
 - Wijzig of verander uw valbeveiligingsuitrusting nooit. Alleen 3M, of partijen die door 3M schriftelijk zijn geautoriseerd, mogen de uitrusting repareren.
 - Zorg voordat de valbeveiligingsuitrusting in gebruik wordt genomen dat er een reddingsplan aanwezig is waarmee in geval van een ongeval snel hulp kan worden geboden.
 - Laat na een val de betreffende persoon onmiddellijk door een arts onderzoeken.
 - Gebruik geen lichaamsgordel voor valstop-toepassingen. Gebruik uitsluitend een volledig lichaamsharnas.
 - Minimaliseer zwenkvallen door zo recht mogelijk onder het ankerpunt te werken.
 - Bij training met dit apparaat moet een tweede valbeveiligingssysteem worden gebruikt om elk risico te vermijden dat de gebruiker-in-training per ongeluk aan valgevaar wordt blootgesteld.
 - Draag altijd geschikte persoonlijke beschermingsmiddelen bij het installeren, gebruiken of inspecteren van het apparaat/systeem.

Noteer, voorafgaand aan het gebruik of de installatie van deze apparatuur, de productidentificatiegegevens van het ID-label in het logboek voor inspectie en onderhoud (2) achter in deze handleiding.

PRODUCTBESCHRIJVING:

Afbeelding 1 geeft de 3M™ Davitconstructie met hoge capaciteit (HC) voor besloten ruimtes weer. De HC davitconstructie voor besloten ruimtes wordt gebruikt om een medewerker naar een werkruimte te tillen of te laten zakken en te voorzien in een valstop- of reddingsankerpunt. Deze instructies zijn van toepassing op de volgende componenten van de HC davitconstructie voor besloten ruimtes:

- (A) HC davit met kort bereik onderdeelnummer 8000107, HC davit met lang bereik onderdeelnummer 8000108.
- (B) Vier beschikbare lengtes voor mastverlengstuk.
- (C) Universele constructie onderdeelnummer 8000109.
- (D) Uitlooparm met kort bereik onderdeelnummer 8000110, (e) uitlooparm met lang bereik onderdeelnummer 8000111.
- (F) Lierbeugel onderdeelnummer 8000117 (bijgeleverd met universele constructie voor achteraan gemonteerde lier of SRL; extra lierbeugel 8000117 vereist voor aan de voorzijde gemonteerde lier of SRL).

De mast van de HC davitconstructie voor besloten ruimtes wordt geïnstalleerd in een geschikte 3M-basis, die apart verkrijgbaar is. Zie Tabel 1 - Specificaties.

Alle basisinstallaties moeten worden goedgekeurd door een gekwalificeerde technicus volgens de lokale normen. Raadpleeg de installatie-instructies van de basis. Mastverlengstukken voor HC davitconstructie voor besloten ruimtes kunnen niet worden gestapeld. Er mag maximaal één mastverlengstuk per davitbasis worden gebruikt.

Tabel 1 – Specificaties

Systemspecificaties:			
Capaciteit:	Valstop: EN795:2012 en CEN/TS 16415:2013 beoordeeld voor één of twee gebruikers.		
	Redding: EN1496:2006 beoordeeld voor één gebruiker met een maximaal gecombineerd gewicht van 140 kg (310 lbs), inclusief uitrusting en apparatuur, on line tijdens gebruik.		
	Materiaalhantering: 205 kg (450 lbs) bij gebruik op een draagbare basis van 3M HC (3-delig, vrachtwagenkoppeling of contragewichtenwagen) en een capaciteit van 340 kg (750 lbs) bij gebruik op een permanente basis van 3M HC (vloermontage, wandmontage, dekmontage, of kernmontage). Raadpleeg onderstaande specificaties voor de materiaalhanteringscapaciteit:		
	Materiaalhanteringscapaciteit (kg, lbs)	Omschrijving van 3M-basis	Onderdeelnummer van 3M-basis
	205 kg (450 lbs)	3-delige basis met kort bereik	8000104
	205 kg (450 lbs)	3-delige basis met lang bereik	8000105
	205 kg (450 lbs)	Basis voor vrachtwagenkoppeling	8000103
	205 kg (450 lbs)	Basis voor contragewichtenwagen	8000106
	340 kg (750 lbs)	Basis voor vloermontage	8000095 – Gegalvaniseerd 8000096 - Roestvrij staal
	340 kg (750 lbs)	Basis voor wandmontage	8000101 – Gegalvaniseerd 8000102 - Roestvrij staal
340 kg (750 lbs)	Basis voor dekmontage	8000099 – Gegalvaniseerd 8000100 - Roestvrij staal	
340 kg (750 lbs)	Basis voor kernmontage	8000089 – Gegalvaniseerd 8000090 - Roestvrij staal	
340 kg (750 lbs)	Kernmontage m/ bovenplaatbasis	8000091 – Gegalvaniseerd 8000092 - Roestvrij staal	
Afmetingen:	Zie afbeelding 1 voor de afmetingen van de componenten van de HC davitconstructie voor besloten ruimtes.		
Productgewicht:	Zie afbeelding 1 voor het gewicht van de componenten van de HC davitconstructie voor besloten ruimtes.		
Certificering:	Certificering voor HC davitarmen en HC mastverlengstukken bij gebruik met draagbare of permanente HC basissen		
	Draagbare basissen	EN795:2012 CEN/TS16415:2013	EN1496:2006
	3-delige basis (8000104, 8000105)	Gecertificeerd (type B)	Voldoet aan (klasse B)
	Basis voor vrachtwagenkoppeling (8000103)	Gecertificeerd (type B)	Voldoet aan (klasse B)
	Basis voor contragewichtenwagen (8000106)	Gecertificeerd (type B)	Voldoet aan (klasse B)
	Permanente basis		
	Basis voor vloermontage (8000095, 8000096)	Voldoet aan (type A)	Voldoet aan (klasse B)
	Basis voor wandmontage (8000101, 8000102)	Voldoet aan (type A)	Voldoet aan (klasse B)
	Basis voor dekmontage (8000099, 8000100)	Voldoet aan (type A)	Voldoet aan (klasse B)
	Basis voor kernmontage (8000089, 8000090)	Voldoet aan (type A)	Voldoet aan (klasse B)
Kernmontage m/ bovenplaatbasis (8000091, 8000092)	Voldoet aan (type A)	Voldoet aan (klasse B)	

Tabel 1 – Specificaties

Materiaalspecificaties van de componenten van de HC davitconstructie voor besloten ruimtes in afbeelding 2.		
Referentie in afbeelding 2	Onderdeel	Materialen
(A)	Davitarm	Aluminum 6061-T6
(B)	Drukpen	Verzinkt staal
(C)	Achterste davitkatrol	Zwart acetaal
(D)	Davitarm katrol (2)	Delrin
(E)	Onderste davitarmkatrol	Delrin
(F)	U-beugel (2)	Roestvrij staal
(G)	Davit mastverlengstuk	Aluminum 6061 en verzinkt staal
(H)	Lierbeugel	Verzinkt staal

1.0 TOEPASSING VAN HET PRODUCT

- 1.1 DOEL:** De HC davitconstructie voor besloten ruimtes wordt gebruikt om een medewerker naar een werkruimte te tillen of te laten zakken en voorziet in een valstop- of reddingsankerpunt.
- 1.2 NORMEN:** Deze HC davitconstructie voor besloten ruimtes voldoet aan de nationale of regionale norm(en) die staan vermeld op de omslag en in tabel 1 van deze instructies. Als dit product opnieuw verkocht wordt buiten het oorspronkelijke land van bestemming, dient de wederverkoper deze instructies te leveren in de taal van het land waarin het product gebruikt zal worden.
- 1.3 INSTALLATIE EN TOEZICHT:** De installatie van de HC davitconstructie voor besloten ruimtes moet onder toezicht staan van een deskundige¹. Een gekwalificeerd persoon² moet controleren dat de constructie van de installatie voldoet aan de lokale en overheidsnormen. Een gekwalificeerd persoon moet aanbevelingen doen over de correcte bevestigingsmiddelen en de correcte plaatsing van de HC davitconstructie voor besloten ruimtes. Het gebruik van de davit en de daaraan bevestigde valbeveiligingsapparatuur moet onder toezicht van een deskundige staan.
- 1.4 TRAINING:** Deze apparatuur moet geïnstalleerd en gebruikt worden door personen die getraind zijn in de juiste toepassing van deze apparatuur. Deze handleiding kan worden gebruikt als onderdeel van een trainingsprogramma voor medewerkers en/of regionale voorschriften. Het is de verantwoordelijkheid van de gebruikers en installateurs van deze apparatuur om zich ervan te verzekeren dat ze deze instructies kennen, getraind zijn in het juiste gebruik en de verzorging van de apparatuur, en dat ze zich bewust zijn van de gebruikskennmerken, toepassingsbeperkingen en de gevolgen van enig onjuist gebruik van deze apparatuur.
- 1.5 REDDINGSPLAN:** wanneer deze davit en de verbonden valbeschermingsapparatuur worden gebruikt, dient de werkgever te beschikken over een reddingsplan. Ook moet de werkgever middelen binnen bereik hebben om het reddingsplan te implementeren en te communiceren met gebruikers. Het wordt aanbevolen dat een getraind reddingsteam ter plekke aanwezig is. Teamleden moeten de apparatuur en technieken aangeleverd krijgen om een succesvolle reddingsactie te verrichten. Er moet op periodieke basis training gegeven worden om ervoor te zorgen dat de kennis van de redders actueel blijft.
- 1.6 REGELMAAT VAN INSPECTIES:** De gebruiker dient de HC davitconstructie voor besloten ruimtes voorafgaand aan gebruik te inspecteren. Eventueel kan het apparaat ook worden beoordeeld door een andere deskundige dan de gebruiker. Er mag niet meer dan een jaar tussen de inspecties liggen.³ De inspectieprocedures zijn beschreven in het "Logboek voor inspectie en onderhoud". De resultaten van elke inspectie door een deskundige moeten worden genoteerd op kopieën van het "Inspectie- en onderhoudslogboek".

2.0 SYSTEEMVEREISTEN

- 2.1 COMPATIBILITEIT VAN ONDERDELEN:** 3M-apparatuur is alleen ontworpen voor gebruik met andere door 3M goedgekeurde onderdelen en subsystemen. Substituties of vervangingen door niet-goedgekeurde onderdelen of subsystemen kunnen de compatibiliteit van apparatuur in gevaar brengen en kunnen de veiligheid en betrouwbaarheid van het volledige systeem beïnvloeden.
- 2.2 PERSOONLIJK VALSTOPSYSTEEM:** persoonlijke systemen voor valbescherming (pfas) die worden gebruikt in combinatie met het systeem moeten voldoen aan de geldende normen, codes en vereisten voor valbescherming. De PFAS moet zijn voorzien van een volledig lichaamsharnas en de valstopkracht beperken tot de volgende waarden:

	Maximale valstopkracht	Vrije val
PFAS met schokdempende lijnen	6 kN (1.350 lb)	Raadpleeg de instructie(s) bij uw lijn of SRD voor beperkingen van de vrije val.
PFAS met automatisch blokkerend valstopsysteem (SRD)	6 kN (1.350 lb)	

- 1 Deskundige:** Een persoon die in staat is om bestaande en voorspelbare gevaren in de werkomgeving of -omstandigheden te identificeren die onhygiënisch, gevaarlijk of riskant zijn voor werknemers, en die bevoegd is om direct corrigerende acties te ondernemen om gevaren te elimineren.
- 2 Gekwalificeerd persoon:** Een persoon met een erkende graad of een professioneel certificaat en uitgebreide ervaring op het gebied van valbeveiliging. Deze persoon moet in staat zijn tot het ontwerpen, analyseren, evalueren en specificeren van producten op het gebied van valbescherming.
- 3 Regelmaat van inspectie:** Extreme werkomstandigheden (moeilijke omgevingen, langdurig gebruik, enz.) kunnen vereisen dat de frequentie van inspecties door deskundigen wordt opgevoerd.

3.0 INSTALLATIE

3.1 PLANNING: Plan uw valbeschermingssysteem voorafgaand aan het gebruik en de installatie van de HC davitconstructie voor besloten ruimtes. Let op alle factoren die uw veiligheid kunnen beïnvloeden vóór, gedurende en na afloop van een val.

- Plan uw werkprogramma voordat u begint. Houd de vereiste mensen, apparatuur en beschikbare procedures klaar om het werk uit te voeren.
- Werk altijd in teams. Eén persoon laat men zakken of ophijzen en een andere persoon laat de lijn vieren en windt deze weer op.
- Draag de correcte beschermende uitrusting zoals een veiligheidshelm, veiligheidsbril, beschermende schoenen met antislipzolen, zware handschoenen, beschermende kleding en een gezichtsmasker.
- Mastverlengstukken voor de HC davitconstructie voor besloten ruimtes kunnen niet worden gestapeld. Er mag maximaal één mastverlengstuk per davitbasis worden gebruikt.
- Alle lier- en SRL montageonderdelen en hardware moeten door 3M Fall Protection worden geleverd of goedgekeurd.
- Veranker voor het gebruik de lier op veilige en stevige wijze.
- Gebruikers van het systeem moeten gebruikmaken van een goedgekeurd volledig lichaamsharnas.
- Gebruik alleen intrekbare apparaten of energieabsorbers met een maximale valbeperkingskracht gelijk aan of lager dan het laagst berekende component van uw systeem.
- Verlengbare apparaten of energieabsorbers moeten worden geïnstalleerd en gebruikt in overeenstemming met de aanwijzingen van de fabrikant.
- Modulaire componenten zijn gelabeld met de capaciteiten en het vermogen volgens welke zij werden ontworpen, getest en gefabriceerd. Het vermogen van alle systemen wordt beschouwd als het vermogen van de laagst gespecificeerde component in het systeem. Gebruik geen apparatuur als de vermogenslabels beschadigd of onleesbaar zijn. Nieuwe labels zijn verkrijgbaar bij 3M Fall Protection.
- De HC davitconstructie voor besloten ruimtes moet van de bouwplaats worden verwijderd wanneer ze niet langer nodig is.

3.2 DE HC DAVITCONSTRUCTIE VOOR BESLOTEN RUIMTES INSTALLEREN:

1. (Afbeelding 3) Plaats het mastverlengstuk voor de HC davitconstructie voor besloten ruimtes in een geïnstalleerde 3M HC davitbasis. (Raadpleeg tabel 1 voor omschrijvingen van de 3M basis.) Volg de installatie-instructies van de davitbasis voor het bevestigen van de davitbasis aan de verankeringsstructuur.
2. Bevestig de constructie van de davitkop aan de universele constructie:
 - a. (Afbeelding 4a) steek de hoekbuis van de davitkop (A) in de gelaste hoekplaat van de universele constructie (B). Gebruik de drukpen (C) om de hoekbuis in de gelaste hoekplaat vast te zetten.
 - b. (Afbeelding 4b) Gebruik de koppelingsspen (D) om de armbuis van de davitkop tussen de zijplaten (E) van de universele constructie te bevestigen. Bevestig de koppelingsspen met de lynchpen die aan de andere kant van de universele constructie is bevestigd.
3. (Afbeelding 5) Plaats de gemonteerde davitarm/universeel op het mastverlengstuk. De onderrand van de davitarmbuis moet in contact komen met de nok van het mastverlengstuk. Centreer de inkeping aan de onderkant van de davitarmbuis op de schroef die zich op de nok van het mastverlengstuk bevindt.
4. (Afbeelding 6) De lengte van de verlenging van de davitarm kan in vier standen worden ingesteld. Verwijder de drukpen (A) en schuif het verlengstuk van de davitarm uit of in om de gewenste lengte te bereiken. De davitarm moet op die verlengingspositie worden vastgezet met de drukpen (A). Steek de drukpen er volledig in.
5. (Afbeelding 7) De hoek van de davitarm kan in één van de drie standen worden ingesteld. Verwijder de drukpen (C) en schuif de hoekbuis (A) in of uit de gelaste hoekplaat (B). De hoekbuis moet worden vastgezet met de drukpen (C). Steek de drukpen er volledig in.
6. (Afbeelding 8) Installeer de lier volgens de instructies van de fabrikant. De lier wordt gemonteerd met de lierbeugel die bij de universele constructie wordt meegeleverd. De lierkabel wordt meestal over de achterste katrol (A) op de universele constructie en de voorste katrol aan de bovenkant (B) op de davitarm geleid. Een alternatieve en/of extra configuratie voor montage aan de voorzijde is mogelijk. Zie sectie 3.3.

3.3 LIERBEUGEL 8000117:

1. (Afbeelding 9) Een aan de voorzijde gemonteerde lier of SRL kan aan het mastverlengstuk van de HC davitconstructie voor besloten ruimtes worden toegevoegd door een tweede lierbeugel 8000117 (afzonderlijk te koop) te installeren. Maak de lierbeugel (A) vast aan het mastverlengstuk met de twee drukpenen (B) van de lierbeugel. De lier of SRL-kabel gebruikt de voorste katrol (C) op de universele constructie en de katrol onderaan aan de voorzijde (D) op de davitarm.

3.4 BEVESTIGINGSPUNTEN VAN DE U-BEUGEL:

(Afbeelding 10) De twee bevestigingspunten (A en B) van de U-beugel kunnen worden gebruikt voor een valstop, redding of het hanteren van materiaal.. Bij gebruik van U-beugelbevestigingspunt A mag de horizontale afstand van 38 cm (15 inch) tot de davitbasis niet worden overschreden.

4.0 GEBRUIK

4.1 VOORAFGAAND AAN ELK GEBRUIK: Zorg ervoor dat uw werkgebied en persoonlijk systeem voor valbescherming (PFAS) voldoen aan alle criteria zoals gedefinieerd in sectie 2 en dat er een formeel reddingsplan aanwezig is. Inspecteer de HC davitconstructie voor besloten ruimtes volgens de 'Gebruikers'-inspectiepunten zoals gedefinieerd in het "Logboek voor inspectie en onderhoud". Gebruik het systeem niet indien inspectie een onveilige of defecte conditie aan het licht brengt. Stel het systeem buiten dienst en vernietig het, of neem contact op met 3M aangaande de vervanging of reparatie van het systeem.

5.0 INSPECTIE

- 5.1 REGELMAAT VAN INSPECTIES:** De HC davitconstructie voor besloten ruimtes moet worden geïnspecteerd volgens de intervallen zoals gedefinieerd in sectie 1. De inspectieprocedures worden beschreven in het 'Logboek voor inspectie en onderhoud'. Inspecteer alle overige onderdelen van het valbeschermingssysteem volgens de frequenties en procedures zoals beschreven in de instructies van de fabrikant.
- 5.2 DEFECTEN:** Wanneer bij inspectie een onveilige of gebrekkige staat aan het licht wordt gebracht, moet u de HC davitconstructie voor besloten ruimtes onmiddellijk buiten gebruik stellen en contact opnemen met 3M om mogelijkheden voor vervanging of reparatie te bespreken. Probeer het valstopsysteem niet te repareren.

Het systeem mag alleen door een geautoriseerd persoon gerepareerd worden: Alleen 3M of partners die hiervoor schriftelijk zijn geautoriseerd, mogen deze apparatuur repareren.

- 5.3 LEVENSDUUR PRODUCT:** De functionele levensduur van de HC davitconstructie voor besloten ruimtes wordt bepaald door de werkomstandigheden en het onderhoud. Zolang het product bij inspectie aan de criteria voldoet, kan het in gebruik blijven.

6.0 ONDERHOUD, BEHANDELING EN OPSLAG

- 6.1 SCHOONMAKEN:** Reinig periodiek de metalen onderdelen van de HC davitconstructie voor besloten ruimtes met een zachte borstel, warm water en een milde zeepoplossing. Zorg ervoor dat de onderdelen grondig worden gespoeld met schoon water.
- 6.2 SERVICE:** Alleen 3M of partners die hiervoor schriftelijk door 3M zijn geautoriseerd, mogen deze apparatuur repareren. Indien de HC davitconstructie voor besloten ruimtes onderhevig is geweest aan valkracht of indien inspectie onveilige of gebrekkige omstandigheden aan het licht brengt, moet u het systeem buiten gebruik stellen en contact opnemen met 3M om mogelijkheden voor vervanging of reparatie te bespreken.
- 6.3 OPSLAG EN TRANSPORT:** Wanneer ze niet worden gebruikt, dient u de HC davitconstructie voor besloten ruimtes en bijbehorende valbeveiligingsapparatuur op te slaan en te vervoeren in een koele, droge, schone omgeving en buiten bereik van direct zonlicht. Vermijd plekken waar chemische dampen kunnen voorkomen. Inspecteer de onderdelen grondig na een langdurige opslag.

7.0 LABELS

Afbeelding 11 geeft de labels weer op de HC davitconstructie voor besloten ruimtes. Labels moeten worden vervangen wanneer ze niet volledig leesbaar zijn.

Tabel 2 – Inspectie- en onderhoudslogboek

Inspectiedatum:		Geïnspecteerd door:	
Componenten:	Inspectie: (Zie sectie 5 voor <i>Regelmaat van inspecties</i>)	Gebruiker	Deskundige
Davitconstructie voor besloten ruimtes (Afbeeldingen 1 en 2)	Controleer de HC Davitconstructie voor besloten ruimtes op scheuren, deuken of vervormingen.	<input type="checkbox"/>	<input type="checkbox"/>
	Inspecteer het gehele apparaat op tekenen van roest.	<input type="checkbox"/>	<input type="checkbox"/>
	Controleer alle bevestigingsmiddelen om er zeker van te zijn dat ze goed vastzitten. Draai ze indien nodig vast.	<input type="checkbox"/>	<input type="checkbox"/>
	Controleer of alle pennen er volledig ingestoken zijn en of de koppelingspennen goed vastzitten met de lynchpennen.	<input type="checkbox"/>	<input type="checkbox"/>
Labels (figuur 11)	Controleer of alle labels stevig zijn bevestigd en goed leesbaar zijn (zie 'Labels').	<input type="checkbox"/>	<input type="checkbox"/>
PFAS en andere apparatuur	Een aanvullend persoonlijk systeem voor valbescherming (PFAS) (harnas, SRL, enz.) dat met de Davit wordt gebruikt, moet volgens de instructies van de fabrikant worden geïnstalleerd en geïnspecteerd.	<input type="checkbox"/>	<input type="checkbox"/>

Serienummer(s):	Aankoopdatum:
Modelnummer:	Datum van eerste gebruik:
Oplossing/Onderhoud:	Goedgekeurd door:
	Datum:
Oplossing/Onderhoud:	Goedgekeurd door:
	Datum:
Oplossing/Onderhoud:	Goedgekeurd door:
	Datum:
Oplossing/Onderhoud:	Goedgekeurd door:
	Datum:
Oplossing/Onderhoud:	Goedgekeurd door:
	Datum:
Oplossing/Onderhoud:	Goedgekeurd door:
	Datum:
Oplossing/Onderhoud:	Goedgekeurd door:
	Datum:
Oplossing/Onderhoud:	Goedgekeurd door:
	Datum:
Oplossing/Onderhoud:	Goedgekeurd door:
	Datum:
Oplossing/Onderhoud:	Goedgekeurd door:
	Datum:
Oplossing/Onderhoud:	Goedgekeurd door:
	Datum:
Oplossing/Onderhoud:	Goedgekeurd door:
	Datum:
Oplossing/Onderhoud:	Goedgekeurd door:
	Datum:

SIKKERHETSINFORMASJON

Vennligst les, forstå og følg all sikkerhetsinformasjon i disse instruksjonene før du tar i bruk denne inngangs- og redningsenheten for trange rom. **UNNLATELSE AV Å GJØRE DETTE KAN FØRE TIL ALVORLIG SKADE ELLER DØD.**

Disse instruksjonene må gis til brukeren av utstyret. Ta vare på disse instruksjonene for fremtidig referanse.

Tilsiktet bruk:

Denne inngangs- og redningsenheten for trange rom er beregnet for bruk som del av et komplett personlig fallsikrings- og/eller redningssystem.

Bruk i en hvilken som helst annen sammenheng inkludert, men ikke begrenset til, materialhåndtering, fritidsbruk eller idrettsrelaterte aktiviteter, eller andre aktiviteter som ikke beskrives i Brukerinstruksjonene eller Installeringsinstruksjonene, er ikke godkjent av 3M og kan resultere i alvorlig personskade eller død.

Denne innretningen skal bare brukes av opplærte brukere i arbeidsplassanvendelser.

ADVARSEL

Denne inngangs- og redningsenheten for trange rom er del av et personlig fallsikrings- og/eller redningssystem. Det forventes at alle brukere er fullt opplært i sikker installering og betjening av det fullstendige systemet. **Misbruk av denne innretningen kan resultere i alvorlig personskade eller død.** For riktig utvelgelse, betjening, installering, vedlikehold og service, se alle produktinstruksjoner, inkludert alle produsentens anbefalinger, snakk med din arbeidsleder, eller kontakt 3M Tekniske tjenester.

- **For å redusere risikoene som er forbundet med å arbeide med en inngangs- og redningsenhet for trange rom som, om de ikke unngås, kan resultere i alvorlig personskade eller død:**
 - Inspiser innretningen før hver bruk, minst én gang årlig, og etter enhver fallhendelse. Inspiser i samsvar med bruksanvisningene.
 - Hvis inspeksjonen avdekker en utrygg eller defekt tilstand, må enheten tas ut av tjeneste og du må ta kontakt med et autorisert servicesenter for å få den reparert.
 - Enhver innretning som er blitt belastet som følge av fall eller støtkrefter, må umiddelbart tas ut av bruk og destrueres. Se brukerinstruksjonene eller ta kontakt med 3M Fallsikring.
 - Innretningen må kun være installert på den måten som spesifiseres i Installeringsinstruksjonene eller Brukerinstruksjonene. Installeringer og bruk utenfor rammen av instruksjonene må godkjennes skriftlig av 3M Fallsikring.
 - Det underlag eller den struktur som innretningen er festet til må være i stand til å motstå de statiske belastningene som spesifiseres for innretningen i orienteringer tillatt i Brukerinstruksjonene eller Installeringsinstruksjonene.
 - Ikke overskrid antall tillatte brukere.
 - Utfør aldri arbeid under en opphengt last eller arbeider.
 - Utvis forsiktighet ved installering, bruk og flytting av innretningen da bevegelige deler vil kunne skape potensielle klemmepunkter. Se Brukerinstruksjonene.
 - Sørg for at ordentlige utestengningsprosedyrer er blitt fulgt slik de skal.
 - Fest deg aldri til et system før det er posisjonert, fullstendig montert, justert og installert. Ikke juster systemet mens en bruker er festet.
 - Fallsikringsundersystemene må bare kobles til det angitte ankringskoblingspunkt på innretningen.
 - Før boring eller fastgjøring, se til at ingen elektriske ledninger, gassledninger eller andre kritiske innebygde systemer vil komme i kontakt med boret eller innretningen.
 - Sørg for at fallsikringsystemer/undersystemer som er satt sammen av komponenter fremstilt av forskjellige produsenter er kompatible og oppfyller kravene i gjeldende standarder, inkludert ANSI Z359 eller andre gjeldende fallsikringsnormer, standarder, eller krav. Rådfør deg alltid med en kompetent eller kvalifisert person før du bruker disse systemene.
- **For å redusere risikoen som er forbundet med arbeid i høyden, om det ikke unngås, kan resultere i alvorlig personskade eller død:**
 - Sørg for at din helse og fysiske tilstand gjør det mulig for deg sikkert å motstå alle de krefter som er forbundet med arbeid i høyden. Rådfør deg med legen din hvis du har noen spørsmål angående din evne til å bruke dette utstyret.
 - Du må aldri overskride tillatt kapasitet for ditt fallsikringsutstyr.
 - Du må aldri overskride maksimal frifallavstand for ditt fallsikringsutstyr.
 - Ikke bruk noe fallsikringsutstyr som ikke består inspeksjoner før bruk eller andre planmessige inspeksjoner, eller dersom du har bekymringer om bruken, eller om hvor egnet utstyret kan være for ditt bruksområde. Kontakt 3M Tekniske tjenester med eventuelle spørsmål.
 - Noen delsystemer og delekombinasjoner kan hindre bruken av dette utstyret. Bruk kun kompatible koblinger. Kontakt 3M dersom dette utstyret blir brukt sammen med andre komponenter eller delsystemer enn de som beskrives i brukerinstruksjonene.
 - Utvis ekstra forsiktighet når du arbeider rundt bevegelige maskiner (f.eks. rotasjonssystem for oljerigger), elektriske farer, ekstreme temperaturer, kjemiske farer, eksplosive eller giftige gasser, skarpe kanter eller i underkant av overhengende materialer som kan falle ned på deg eller ditt fallsikringsutstyr.
 - Bruk lysbueflamme eller Hot Works-innretninger når du arbeider i miljøer med høy varme.
 - Unngå overflater og gjenstander som kan skade brukeren eller utstyret.
 - Sørg for at det er tilstrekkelig fallklaring når du arbeider i høyden.
 - Du må aldri modifisere eller endre på ditt fallsikringsutstyr. Bare 3M eller virksomheter med skriftlig godkjennelse fra 3M kan reparere dette utstyret.
 - Før bruk av fallsikringsutstyr, pass på at det finnes en redningsplan som muliggjør rask redning hvis et falluhell skulle inntreffe.
 - Hvis et falluhell inntreffer, søk umiddelbart medisinsk hjelp for den arbeideren som har falt.
 - Ikke bruk støttebelter til fallstoppbruk. Bruk kun en helkroppssele.
 - Minimer svingfall ved å arbeide så rett under forankringspunktet som mulig.
 - Hvis du trener med denne innretningen, må et sekundært fallsikringsystem benyttes på en slik måte at det ikke eksponerer lærlingen for en utilsiktet fallfare.
 - Ha alltid på hensiktsmessig personlig verneutstyr når du installerer, bruker eller inspiserer innretningen/systemet.

Skriv ned produktidentifikasjonen fra ID-merket i inspeksjons- og vedlikeholdsloggen (2) på baksiden av denne veiledningen før installasjon og bruk av utstyret.

PRODUKTBEKRIVELSE:

Figur 1 viser en 3M™ høykapasitets davitenhet for bruk i trange rom. Davitenheten for trange rom brukes til å løfte eller senke en arbeider opp eller ned på et arbeidsområde og gi et forankringspunkt for fallsikring eller redning. Denne instruksjonen gjelder for følgendekomponenter av davitenheten:

- (A) Davit med kort rekkevidde (delenummer 8000107) og lang rekkevidde (delenummer 8000108).
- (B) Fire tilgjengelige lengder for mastforlengelse.
- (C) Universalmontasje (delenummer 8000109).
- (D) Forskjøvet arm med kort rekkevidde (delenummer 8000110) og (E) forskjøvet arm med lang rekkevidde (delenummer 8000111).
- (F) Vinsjbrakett (delenummer 8000117) – følger med universalmontasjen for bakmontert vinsj eller SRL. Ekstra vinsjbrakett (delenummer 8000117) kreves for frontmontert vinsj eller SRL.

Masten til davitenheten for bruk i trange rom installeres i en passende 3M-holder som er tilgjengelig separat. Se tabell 1 – spesifikasjoner.

En kvalifisert tekniker må godkjenne grunnleggende installasjon i henhold til lokale forskrifter. Se installasjonsinstruksjoner for holderen. Mastforlengelser til davitenheten kan ikke stables. Maksimalt én mastforlengelse kan brukes per davitholder.

Tabell 1 – Spesifikasjoner

Systemspesifikasjoner:			
Kapasitet:	Fallsikring: EN795:2012 og CEN/TS 16415:2013 godkjenning for én eller to brukere.		
	Redning: EN1496:2006 godkjenning for én bruker med en maksimal totalbelastning på 140 kg (310 lbs), inkludert verktøy og utstyr, på linen under arbeid.		
	Materialhåndtering: 205 kg (450 lbs) når den brukes i en hvilken som helst 3M bærbar holder (3-delers, truckfeste eller motvektstralle) og en kapasitet på 340 kg (750 lbs) når den brukes i en hvilken som helst 3M permanent holder (gulvmontering, veggmontering, dekkemontering eller kjernemontering). Se spesifikasjoner for materialhåndteringskapasitet nedenfor:		
	Materialhåndteringskapasitet (kg, lbs)	Beskrivelse av 3M-holder	Delenummer for 3M-holder
	205 kg (450 lbs)	Holder, 3 deler – kort rekkevidde	8000104
	205 kg (450 lbs)	Holder, 3 deler – lang rekkevidde	8000105
	205 kg (450 lbs)	Holder, truckfeste	8000103
	205 kg (450 lbs)	Holder, motvektstralle	8000106
	340 kg (750 lbs)	Gulvmontert holder	8000095 – galvanisert 8000096 – rustfritt stål
	340 kg (750 lbs)	Veggmontert holder	8000101 – galvanisert 8000102 – rustfritt stål
340 kg (750 lbs)	Dekke-montert holder	8000099 – galvanisert 8000100 – rustfritt stål	
340 kg (750 lbs)	Kjernemontert holder	8000089 – galvanisert 8000090 – rustfritt stål	
340 kg (750 lbs)	Kjernemontert holder med topplate	8000091 – galvanisert 8000092 – rustfritt stål	
Dimensjoner:	Se figur 1 for komponentdimensjonene til davitenheten for bruk i trange rom.		
Produktvekt:	Se figur 1 for komponentvekten til davitenheten for bruk i trange rom.		
Sertifisering:	Sertifiseringer for davitarmene og mastforlengelsene når de brukes med bærbare eller permanente holdere		
	Bærbare holdere	EN795:2012 CEN/TS16415:2013	EN1496:2006
	Holder i 3 deler (8000104, 8000105)	Sertifisert (type B)	Overholder (klasse B)
	Holder, truckfeste (8000103)	Sertifisert (type B)	Overholder (klasse B)
	Holder, motvektstralle (8000106))	Sertifisert (type B)	Overholder (klasse B)
	Permanente holdere		
	Gulvmontert holder (8000095, 8000096)	Overholder (type A)	Overholder (klasse B)
	Veggmontert holder (8000101, 8000102)	Overholder (type A)	Overholder (klasse B)
	Dekke-montert holder (8000099, 8000100)	Overholder (type A)	Overholder (klasse B)
	Kjernemontert holder (8000089, 8000090)	Overholder (type A)	Overholder (klasse B)
Kjernemontert holder med topplate (8000091, 8000092)	Overholder (type A)	Overholder (klasse B)	

Tabell 1 – Spesifikasjoner

Materialspesifikasjoner for komponentene til davitenheten er oppgitt i figur 2.		
Figur 2 Referanse	Komponent	Materialer
(A)	Davitarm	Aluminium 6061-T6
(B)	Sikringsstift	Forsinket stål
(C)	Davittrinse bak	Sort acetal
(D)	Davitarmtrinse (2)	Delrin
(E)	Nedre davitarmtrinse	Delrin
(F)	U-brakett (2)	Rustfritt stål
(G)	Davitmastforlengelse	Aluminium 6061 og forsinket stål
(H)	Vinsjbrakett	Forsinket stål

1.0 PRODUKTETS BRUKSOMRÅDE

- 1.1 FORMÅL:** Davitenheten for trange rom brukes til å løfte eller senke en arbeider opp eller ned på et arbeidsområde og gi et forankringspunkt for fallsikring eller redning.
- 1.2 STANDARDER:** Davitenheten oppfyller kravene til de(n) nasjonale eller regionale standarden(e) som oppgis på omslaget og i tabell 1 i denne brukerveiledningen. Hvis dette produktet selges utenfor det opprinnelige destinasjonslandet, må forhandleren stille disse instruksjonene til rådighet på språket i det aktuelle landet der produktet vil bli brukt.
- 1.3 INSTALLASJON OG KONTROLL:** Installasjonen av davitenheten skal kontrolleres av en kvalifisert person¹. En kvalifisert person² må bekrefte at de strukturelle installasjonene er i henhold til lokale og nasjonale forskrifter. En kvalifisert person må anbefale passende festemidler og bestemme riktig plassering av davitenheten. Bruk av daviten og tilknyttet fallsikringsutstyr må kontrolleres av en kompetent person.
- 1.4 OPPLÆRING:** Dette utstyret er beregnet på å skulle monteres og brukes av personer som har fått opplæring i riktig bruk av utstyret. Denne brukerveiledningen kan brukes som en del av et opplæringsprogram for ansatte og/eller regionale forskrifter. Brukeren og montørene av dette utstyret har ansvar for å gjøre seg kjent med disse anvisningene, få opplæring i riktig pleie og bruk av dette utstyret og er klar over bruksegenskaper, bruksbegrensninger og følgene av uriktig bruk av dette utstyret.
- 1.5 REDNINGSPLAN:** Ved bruk av daviten og det tilkoblede fallsikringsutstyret, må arbeidsgiver ha en redningsplan og redningsutstyr tilgjengelig og informere brukere om denne planen. Det anbefales å ha et opplært redningsteam på stedet. Teammedlemmer skal forsynes med utstyr og teknikker til å utføre en vellykket redning. Det bør gis regelmessig opplæring for å sikre at redningspersonens kunnskaper opprettholdes.
- 1.6 INSPEKSJONSINTERVALLER:** Davitenheten skal kontrolleres av brukeren før hver bruk, og i tillegg av en annen kvalifisert person, annet enn brukeren, i intervaller som ikke overskrider ett år.³ Prosedyrene for inspeksjon beskrives i "Inspeksjons- og vedlikeholdslogg". Resultatene fra hver inspeksjon utført av kompetent person bør registreres i kopier av "Inspeksjons- og vedlikeholdslogg".

2.0 SYSTEMKRAV

- 2.1 KOMPONENTKOMPATIBILITET:** Utstyr fra 3M er kun laget for bruk sammen med andre komponenter og delsystemer fra 3M. Utskifting eller erstatning med ikke-godkjente komponenter og delsystemer kan påvirke utstyrets kompatibilitet, som kan gå ut over sikkerheten og påliteligheten til hele systemet.
- 2.2 PERSONLIG FALLSIKRINGSSYSTEM:** Personlige fallsikringssystemer (PFAS) som brukes med systemet, skal oppfylle gjeldende fallsikringsstandarder, -retningslinjer og -krav. DET PERSONLIGE FALLSIKRINGSSYSTEMET skal inkludere en hel kroppssele og begrense bremsekraften til følgende verdier:

	Maksimal bremsekraft	Fritt fall
PFAS med støtabsorberende livline	6 kN (1350 lbs)	Se instruksjonen(e) som følger med livlinen din eller SRD for begrensninger på fritt fall.
PFAS med selvinntrekkende enhet (SRD)	6 kN (1350 lbs)	

1 Kvalifisert person: En som er i stand til å identifisere eksisterende og mulige farer i omgivelsene eller arbeidsforhold som er uhygieniske, risikable eller farlige for ansatte, og som har autoritet til å utbedre eller eliminere dem.

2 Kvalifisert person: En person med anerkjent grad eller fagsertifikat, og utstrakt erfaring med fallsikring. Denne personen må kunne designe, analysere, evaluere og gi spesifikasjoner om fallsikring.

3 Inspeksjonsintervaller: Ekstreme arbeidsforhold (vanskelige omgivelser, langvarig bruk osv.) kan gjøre det nødvendig med hyppigere inspeksjoner utført av en kompetent person.

3.0 MONTERING

3.1 PLANLEGGING: Planlegg fallsikringsystemet før davitenheten installeres og brukes. Vurder faktorer som kan påvirke sikkerheten din før, under og etter et fall.

- Planlegg arbeidsprogrammet ditt før du starter. Ha personer, utstyret og prosedyrene som kreves for å gjennomføre arbeidet tilgjengelig.
- Arbeid alltid i team. En person løftes og senkes, og den andre veiver ut linen og spoler den inn igjen.
- Bruk egnet personlig verneutstyr som vernehjelm, vernebriller, vernesko med sklisikre såler, kraftige hansker, verneklær og en vernemaske.
- Mastforlengelser til davitenheten kan ikke stables. Maksimalt én mastforlengelse kan brukes per davitholder.
- Alle monterings- og festedeler til vinsj og SRL skal leveres eller godkjennes av 3M Fallsikring.
- Vinsjen må forankres sikkert før bruk.
- Systembrukere må kun bruke en godkjent helkroppssele.
- Bruk kun inntrekkbare enheter eller falldempere med en maksimal bremsekraft som er lik eller lavere enn systemkomponenten med den laveste verdien.
- Inntrekkbare enheter og falldempere må installeres og brukes i henhold til produsentens instruksjoner.
- Modulkomponenter er merket med kapasitetene og rangeringene de er utformet, testet og produsert for. Rangeringen av hvilket som helst system er ansett å være rangering av den laveste rangerte komponenten i systemet. Ikke bruk utstyret dersom rangeringsmerkingen er skadet eller uleselig. Nye etiketter er tilgjengelige hos 3M Fallsikring.
- Når davitenheten ikke lenger behøves, bør den fjernes fra arbeidsstedet.

3.2 INSTALLASJON AV DAVITENHETEN:

1. (Figur 3) Sett inn davitenhetens mastforlengelse i en installert 3M davitholder. (Se tabell 1 for beskrivelser av 3M-holdere.) Følg anvisningene for installasjon av davitholderen for å feste holderen til forankringsstrukturen.
2. Fest hodeenheten på universalmonntasjen:
 - a. (Figur 4a) Sett det vinklede hoderøret (A) inn i universalmonntasjen (B). Fest det vinklede røret i den vinklede sveisekonstruksjonen med sikringsstiften (C).
 - b. (Figur 4b) Bruk koblingssplinten (D) til å feste hodearmrøret mellom sideplatene (E) på universalmonntasjen. Fest koblingssplinten med akselpinnen som er festet på motsatt side av universalmonntasjen.
3. (Figur 5) Sett den monterte armen/universalmonntasjen på mastforlengelsen. Den nederste kanten av armrøret må ha kontakt med mastforlengelsens kant. Sentrer utsparingen nederst på armrøret på skruen som befinner seg på mastforlengelsens kant.
4. (Figur 6) Lengden på armforlengelsen kan justeres i én av fire posisjoner. Fjern sikringsstiften (A) og skyv armforlengelsen ut eller inn for å nå ønsket lengde. Davitarmen sikres med sikringsstiften (A) i ønsket forlengelsesposisjon. Sikringsstiften må settes helt inn.
5. (Figur 7) Davitarmens vinkel kan justeres i én av tre posisjoner. Fjern sikringsstiften (C) og skyv det vinklede røret (A) inn eller ut av sveisekonstruksjonen (B). Røret må festes med sikringsstiften (C). Sikringsstiften må settes helt inn.
6. (Figur 8) Installer vinsjen i samsvar med produsentens anvisninger. Vinsjen monteres sammen med vinsjbraketten som følger med universalmonntasjen. Vinsjkabelen føres vanligvis over den bakre trinsen (A) på universalmonntasjen og den øverste fronttrinsen (B) på davitarmen. En alternativ og/eller ekstra frontmontert konfigurasjon er mulig. Se del 3.3.

3.3 VINSJBRAKETT (DELENUMMER 8000117):

1. (Figur 9) En frontmontert vinsj eller SRL kan festes til mastforlengelsen ved å installere en ekstra vinsjbrakett (delenummer 8000117) som er tilgjengelig separat. Fest vinsjbraketten (A) til mastforlengelsen med de to sikringsstiftene (B). Vinsj- eller SRL-kabelen bruker fronttrinsen (C) på universalmonntasjen og den nedre fronttrinsen (D) på davitarmen.

3.4 FESTEPUNKTER FOR U-BRAKETTER:

(Figur 10) De to festepunktene for u-braketter (A og B) kan brukes til fallsikring, redning eller materialhåndtering. Ved bruk av festepunkt A må den horisontale avstanden på 38 cm (15 in.) fra davitholderen ikke overskrides.

4.0 BRUK

4.1 FØR HVER BRUK: Kontroller at arbeidsområdet og det personlige fallsikringsystemet (PFAS) oppfyller alle kriteriene som er definert i del 2 og at det finnes en formell redningsplan. Inspiser davitenheten i henhold til inspeksjonspunktene under «Bruker» i *inspeksjons- og vedlikeholdsloggen* i denne brukerveiledningen. Hvis kontrollen avdekker en utrygg eller defekt tilstand, skal ikke systemet brukes. Ta systemet ut av drift og kontakt 3M vedrørende utskiftning eller reparasjon.

5.0 INSPEKSJON

5.1 INSPEKSJONSINTERVALLER: Davitenheten må kontrolleres ved de intervallene som er definert i del 1. Prosedyrene for inspeksjon beskrives i *inspeksjons- og vedlikeholdsloggen*. Inspiser alle andre komponenter i fallsikringsystemet i henhold til intervallene og prosedyrene som er angitt i produsentens instruksjoner.

5.2 DEFEKTER: Hvis inspeksjonen avdekker en utrygg eller defekt tilstand, skal davitenheten umiddelbart tas ut av bruk og 3M skal kontaktes om utskifting eller reparasjon. Ikke prøv å reparere fallsikringsystemet.

Kun autorisert reparasjon: Kun 3M eller parter med skriftlig autorisasjon kan reparere dette utstyret.

5.3 PRODUKTETS LEVETID: Brukstiden til endavitenhet avhenger av bruksforhold og vedlikehold. Så lenge produktet oppfyller inspeksjonskriteriene, kan det brukes.

6.0 VEDLIKEHOLD, SERVICE, OPPBEVARING

6.1 RENGJØRING: Rengjør metallkomponentene på davitenheten med jevne mellomrom med en myk børste, varmt vann og en mild såpeløsning. Påse at delene skylles godt med rikelig med rent vann.

6.2 SERVICE: Bare 3M eller virksomheter med skriftlig godkjenning fra 3M kan reparere dette utstyret. Hvis davitenheten er blitt utsatt for fallkrefter eller en inspeksjon avdekker en utrygg eller defekt tilstand, skal systemet umiddelbart tas ut av bruk og 3M kontaktes vedrørende utskifting eller reparasjon.

6.3 OPPBEVARING OG TRANSPORT: Når davitenheten og tilknyttet fallsikringsutstyr ikke er i bruk, skaldet oppbevares og transporteres i et kjølig, tørt og rent miljø, beskyttet mot direkte sollys. Unngå områder der det kan finnes gasser fra kjemikalier. Gjennomfør en grundig inspeksjon av komponenter etter langvarig lagring.

7.0 MERKING

Figur 11 viser etikettene på davitenheten. Etikettene må skiftes ut hvis de ikke er fullt leselige.

Tabell 2 – Inspeksjons- og vedlikeholdslogg

Inspeksjonsdato:		Inspisert av:	
Komponenter:	Inspeksjon: (Se del 5 for inspeksjonsintervaller)	Bruker	Kvalifisert person
Davitenhet for bruk i trange rom (figur 1 og 2).	Inspiser davitenheten for sprekker, merker eller deformiteter.	<input type="checkbox"/>	<input type="checkbox"/>
	Kontroller hele enheten for korrosjon.	<input type="checkbox"/>	<input type="checkbox"/>
	Kontroller at alle festemidler er strammet godt til. Etterstram som nødvendig.	<input type="checkbox"/>	<input type="checkbox"/>
	Kontroller at alle splinter og stifter er satt helt inn og at koblingssplintene er godt sikret med akselpinner.	<input type="checkbox"/>	<input type="checkbox"/>
Etiketter (figur 11)	Verifiser at alle merker er sikkert festet og leselige (se "Merker")	<input type="checkbox"/>	<input type="checkbox"/>
PFAS og annet utstyr	Ekstra PFAS-utstyr (sele, SRL osv.) som brukes sammen med daviten skal monteres og inspiseres i henhold til produsentens instruksjoner.	<input type="checkbox"/>	<input type="checkbox"/>

Serienummer(e):	Kjøpsdato:
Modellnummer:	Dato for førstegangsbruk:
Korrigerende handling / vedlikehold:	Godkjent av:
	Dato:
Korrigerende handling / vedlikehold:	Godkjent av:
	Dato:
Korrigerende handling / vedlikehold:	Godkjent av:
	Dato:
Korrigerende handling / vedlikehold:	Godkjent av:
	Dato:
Korrigerende handling / vedlikehold:	Godkjent av:
	Dato:
Korrigerende handling / vedlikehold:	Godkjent av:
	Dato:
Korrigerende handling / vedlikehold:	Godkjent av:
	Dato:
Korrigerende handling / vedlikehold:	Godkjent av:
	Dato:
Korrigerende handling / vedlikehold:	Godkjent av:
	Dato:
Korrigerende handling / vedlikehold:	Godkjent av:
	Dato:
Korrigerende handling / vedlikehold:	Godkjent av:
	Dato:
Korrigerende handling / vedlikehold:	Godkjent av:
	Dato:

INFORMACJE DOTYCZĄCE BEZPIECZEŃSTWA

Przed użyciem tego urządzenia do dostępu i wydobywania z pomieszczeń o ograniczonej przestrzeni należy dokładnie zapoznać się ze zrozumieniem i przestrzegać wszystkie informacje dotyczące bezpieczeństwa, jakie zawarto w niniejszej instrukcji. **ZIGNOROWANIE TEGO WYMAGANIA MOŻE SKUTKOWAĆ POWAŻNYMI URAZAMI CIAŁA LUB ŚMIERCIĄ.**

Te instrukcje muszą być udostępnione użytkownikowi tego urządzenia. Instrukcje należy zachować do wykorzystania w przyszłości.

Przeznaczenie:

To urządzenie do dostępu i wydobywania z pomieszczeń o ograniczonej przestrzeni stanowi część kompletnego systemu ochrony osób przed upadkiem lub systemem ratunkowego.

Wykorzystanie urządzenia w jakimkolwiek innym celu, np. do niezatwierdzonego przenoszenia ładunków, rekreacji lub sportu bądź w innych celach nieopisanych w instrukcji użytkownika lub instrukcji instalacji nie jest zatwierdzone przez 3M i może skutkować poważnymi urazami ciała lub śmiercią.

To urządzenie może być wykorzystywane wyłącznie przez przeszkolonych użytkowników w miejscu pracy.

OSTRZEŻENIE

To urządzenie do dostępu i wydobywania z pomieszczeń o ograniczonej przestrzeni stanowi część systemu ochrony osób przed upadkiem lub systemem ratunkowego. Oczekujemy, że wszyscy użytkownicy zostaną w pełni przeszkoleni w zakresie bezpiecznej instalacji i obsługi kompletnego systemu. **Nieprawidłowe użytkowanie tego urządzenia może prowadzić do poważnych urazów ciała lub śmierci.** Aby zapewnić prawidłowy dobór, obsługę, instalację, konserwację i serwis urządzenia, należy zapoznać się ze wszystkimi instrukcjami produktu oraz wszystkimi zaleceniami producenta, skontaktować się z przełożonym lub z serwisem technicznym firmy 3M.

- **Aby ograniczyć ryzyko związane z pracą z urządzeniem do dostępu i wydobywania z pomieszczeń o ograniczonej przestrzeni, które może skutkować poważnymi urazami ciała lub śmiercią:**
 - Należy sprawdzić urządzenie przed każdym użyciem, co najmniej raz w roku oraz po każdym zatrzymaniu upadku przez urządzenie. Przeglądy muszą odbywać się zgodnie z instrukcją użytkownika.
 - Jeśli kontrola ujawni jakiegokolwiek zagrożenia lub wady, natychmiast wycofaj urządzenie z eksploatacji i poddaj je naprawie lub wymień zgodnie z instrukcją użytkownika.
 - Każde urządzenie, które zostało użyte do zabezpieczenia przed upadkiem bądź zostało poddane działaniu dużych sił, musi zostać natychmiast wycofane z eksploatacji. Patrz instrukcja użytkownika lub skontaktuj się z działem 3M Fall Protection.
 - Urządzenie musi być zainstalowane w sposób opisany w instrukcji instalacji lub instrukcji użytkownika. Instalacja i zastosowania wykraczające poza zakres instrukcji muszą zostać zatwierdzone na piśmie przez dział 3M Fall Protection.
 - Podłoże lub konstrukcja, do której urządzenie jest przymocowane, musi być w stanie utrzymać statyczne obciążenia określone dla urządzenia w orientacjach dozwolonych w instrukcji użytkownika lub instrukcji instalacji.
 - Nie przekraczać dozwolonej liczby użytkowników.
 - Nigdy nie należy pracować poniżej zawieszonych ładunków lub pracownika.
 - Należy zachować ostrożność podczas instalowania, używania i przenoszenia urządzenia, ponieważ ruchome części mogą powodować powstawanie punktów przycięcia. Patrz instrukcja użytkownika.
 - Należy zapewnić przestrzeganie odpowiednich procedur blokowania/oznaczenia.
 - Nigdy nie przypinać się do systemu, zanim zostanie umiejscowiony, w pełni zmontowany, wyregulowany i zainstalowany. Nie regulować systemu po przypięciu użytkownika.
 - Podsystemy zabezpieczenia przed upadkiem należy podłączyć wyłącznie do wyznaczonych punktów kotwiczących na urządzeniu.
 - Przed wierceniem lub przymocowaniem należy zapewnić, że wiertło oraz urządzenie nie będą stykać się z przewodami elektrycznymi lub gazowymi ani innymi krytycznymi systemami wbudowanymi.
 - Należy upewnić się, że systemy ochrony przed upadkiem/zintegrowane podsystemy, złożone z komponentów pochodzących od różnych producentów, są kompatybilne i spełniają wymagania obowiązujących norm, w tym normy ANSI Z359 lub innych obowiązujących przepisów, norm i wymagań dotyczących ochrony przed upadkiem. Przed użyciem tych systemów należy zawsze skonsultować się z Kompetentną lub Przeszkoloną osobą.
 - (ŻURAWIK Z KLATKĄ ZABEZPIECZAJĄCĄ) Podstawa żurawika może być używana z żurawikiem Advanced 8548276. Nie można używać żadnego innego żurawika z podstawą żurawika.
 - (KOSZ PODNOŚNIKA WIDŁOWEGO) Nie używać kosza przed ukończeniem instalacji oraz przymocowaniem do podnośnika widłowego zgodnie z instrukcjami kosza oraz producenta podnośnika widłowego.
 - (TRÓJNOGI) Należy zapewnić, że linki asekuracyjne nie wychodzą poza nogi trójnogu.
 - (TRÓJNOGI) Nie należy nigdy używać trójnogu bez przymocowania łańcuchów nóg; patrz wskazówki podane w instrukcji użytkownika dostarczonej z trójnogiem.
- **Aby ograniczyć ryzyko związane z pracą na wysokości, które może skutkować poważnymi urazami ciała lub śmiercią:**
 - Należy upewnić się, że warunki fizyczne i zdrowotne pracownika umożliwiają bezpieczne znoszenie wszelkich sił oddziałujących w przypadku pracy na wysokości. W przypadku pytań dotyczących korzystania z tego sprzętu należy skonsultować się z lekarzem.
 - Nigdy nie wolno przekraczać dopuszczalnego udźwigu sprzętu zabezpieczającego.
 - Nigdy nie wolno przekraczać maksymalnego dystansu swobodnego upadku danego sprzętu zabezpieczającego.
 - Nie wolno używać sprzętu chroniącego przed upadkiem, który nie przeszedł pomyślnie kontroli okresowej lub przed oddaniem go do użytku albo jeśli użytkownik ma wątpliwości dotyczące korzystania lub przydatności sprzętu w danej aplikacji. W razie pytań należy kontaktować się z działem pomocy technicznej firmy 3M.
 - Niektóre połączenia podsystemów i elementów mogą niekorzystnie wpływać na działanie tego sprzętu. Stosować wyłącznie zgodne rodzaje połączeń. Przed zastosowaniem tego sprzętu w połączeniu z elementami lub podsystemami innymi niż opisane w instrukcji użytkownika należy skonsultować się z firmą 3M.
 - Należy stosować zwiększone środki ostrożności podczas pracy w pobliżu ruchomego sprzętu (np. górnych napędów wiertnic), źródeł zagrożeń elektrycznych, skrajnych temperatur, zagrożeń chemicznych, zagrożenia wybuchem lub toksycznych gazów, ostrych krawędzi, lub pod obiektami znajdującymi się nad użytkownikiem, które mogą spaść na użytkownika lub na sprzęt zabezpieczający przed upadkiem.
 - W przypadku wykonywania prac w miejscach, w których występują wysokie temperatury, należy używać urządzeń z łukiem elektrycznym lub do prac gorących.
 - Należy unikać powierzchni i obiektów, które mogą spowodować urazy ciała użytkownika lub uszkodzenie sprzętu.
 - Należy zapewnić wystarczającą wolną przestrzeń dla upadku w przypadku prowadzenia prac na wysokościach.
 - Nigdy nie wolno modyfikować ani przerabiać sprzętu zabezpieczającego przed upadkiem. Sprzęt może być naprawiany tylko przez firmę 3M lub podmioty upoważnione przez nią na piśmie.
 - Przed użyciem sprzętu zabezpieczającego przed upadkiem należy upewnić się, że obowiązują odpowiednie procedury ratownicze zapewniające podjęcie odpowiednich działań ratowniczych w razie upadku.
 - Jeśli dojdzie do upadku, osobie poszkodowanej należy natychmiast zapewnić pomoc medyczną.
 - W przypadku zastosowań związanych z zabezpieczeniem przed upadkiem nie stosować pasów na całe ciało. Należy wyłącznie używać szelek bezpieczeństwa na całe ciało.
 - Należy minimalizować zagrożenie upadku w wyniku zakolysania, pracując tak blisko punktu kotwiczącego, jak to możliwe.
 - Podczas czynności szkoleniowych związanych z tym urządzeniem konieczne jest stosowanie pomocniczego systemu zabezpieczającego przed upadkiem, tak aby nie narazić szkolonego pracownika na ryzyko upadku.
 - Zawsze należy nosić odpowiedni sprzęt ochrony osobistej podczas instalowania, użytkowania lub przeprowadzania inspekcji urządzenia/systemu.

Przed przystąpieniem do instalacji i użytkowania urządzenia należy zapisać dane produktu zawarte na etykiecie identyfikacyjnej w Dzienniku przeglądów i konserwacji (2) zamieszczonym na końcu niniejszej instrukcji.

OPIS PRODUKTU:

Rysunek 1 przedstawia zespół żurawika o wysokiej nośności do ciasnych przestrzeni 3M™. Zespół żurawika o wysokiej nośności do ciasnych przestrzeni służy do podnoszenia lub opuszczania pracownika do miejsca pracy oraz zapewnia punkt kotwiczący umożliwiający zabezpieczenie przed upadkiem lub zastosowanie ratunkowe. Niniejsza instrukcja dotyczy następujących elementów zespołu żurawika o wysokiej nośności do ciasnych przestrzeni:

- (A) Żurawik o wysokiej nośności krótkiego zasięgu, numer katalogowy 8000107, żurawik o wysokiej nośności krótkiego zasięgu, numer katalogowy 8000108.
- (B) Cztery dostępne długości przedłużenia masztu.
- (C) Zespół uniwersalny, numer katalogowy 8000109.
- (D) Przesunięte ramię krótkiego zasięgu, numer katalogowy 8000110, (E) przesunięte ramię długiego zasięgu, numer katalogowy 8000111.
- (F) Wspornik wciągarki, numer katalogowy 8000117 (dołączany do zespołu uniwersalnego dla wciągarki lub urządzenia samohamownego do montażu z tyłu; dodatkowy wspornik wciągarki 8000117 jest wymagany dla wciągarki lub urządzenia samohamownego do montażu z przodu).

Maszt zespołu żurawika o wysokiej nośności do ciasnych przestrzeni jest instalowany na odpowiedniej podstawie 3M (dostępnej osobno). Tabela 1 – dane techniczne.

Instalacja podstawy musi być zatwierdzona zgodnie z lokalnymi przepisami przez wykwalifikowanego inżyniera. Należy odwołać się do instrukcji instalacji podstawy. Przedłużenia masztów zespołu żurawika o wysokiej nośności do ciasnych przestrzeni nie mogą być ustawiane jedno na drugim. Na każdej podstawie żurawika można używać maksymalnie jednego przedłużenia masztu.

Tabela 1 – Dane techniczne

Dane techniczne systemu:			
Nośność:	Zabezpieczenie przed upadkiem: zgodność z wymaganiami PN-EN 795:2012 i CEN/TS 16415:2013 dla jednego lub dwóch użytkowników.		
	Zastosowania ratunkowe: zgodność z wymaganiami PN-EN 1496:2006 dla jednego użytkownika o maksymalnej łącznej wadze 140 kg (310 lb), uwzględniając narzędzia i sprzęt, na linię podczas pracy.		
	Przenoszenie materiałów: 205 kg (450 lb) przy używaniu z jakąkolwiek przenośną podstawą 3M o wysokiej nośności (trzyzęściowa, z zaczepem do ciężarówki lub do wózka z przeciwwagą) oraz 340 kg (750 lb) przy używaniu z jakąkolwiek stałą podstawą 3M o wysokiej nośności (do montażu podłogowego, ściennego, rdzeniowego lub na pokładzie). Patrz dane dotyczące udźwigu, podane poniżej:		
	Udźwig (kg, lb)	Opis podstawy 3M	Numer katalogowy podstawy 3M
	205 kg (450 lb)	Trzyzęściowa podstawa krótkiego zasięgu	8000104
	205 kg (450 lb)	Trzyzęściowa podstawa długiego zasięgu	8000105
	205 kg (450 lb)	Podstawa z zaczepem do ciężarówki	8000103
	205 kg (450 lb)	Podstawa z zaczepem do wózka z przeciwwagą	8000106
	340 kg (750 lb)	Podstawa do montażu podłogowego	8000095 – ocynkowana 8000096 – nierdzewna
	340 kg (750 lb)	Podstawa do montażu ściennego	8000101 – ocynkowana 8000102 – nierdzewna
	340 kg (750 lb)	Podstawa do montażu na pokładzie	8000099 – ocynkowana 8000100 – nierdzewna
340 kg (750 lb)	Podstawa do montażu rdzeniowego	8000089 – ocynkowana 8000090 – nierdzewna	
340 kg (750 lb)	Podstawa do montażu rdzeniowego z górną podstawą płyty	8000091 – ocynkowana 8000092 – nierdzewna	
Wymiary:	Wymiary elementów zespołu żurawika o wysokiej nośności do ciasnych przestrzeni są podane na rysunku 1.		
Masa produktu:	Masa elementów zespołu żurawika o wysokiej nośności do ciasnych przestrzeni jest podana na rysunku 1.		
Certyfikacja:	Certyfikacja ramion żurawika oraz przedłużenia masztu przy używaniu z przenośnymi lub stałymi podstawami		
	Podstawy przenośne	PN-EN 795:2012 CEN/TS 16415:2013	PN-EN 1496:2006
	Podstawa trzyzęściowa (8000104, 8000105)	Certyfikacja (typ B)	Spełnia (klasa B)
	Podstawa z zaczepem do ciężarówki (8000103)	Certyfikacja (typ B)	Spełnia (klasa B)
	Podstawa do wózka z przeciwwagą (8000106)	Certyfikacja (typ B)	Spełnia (klasa B)
	Podstawy stałe		
	Podstawa do montażu podłogowego (8000095, 8000096)	Spełnia (typ A)	Spełnia (klasa B)
	Podstawa do montażu ściennego (8000101, 8000102)	Spełnia (typ A)	Spełnia (klasa B)
	Podstawa do montażu na pokładzie (8000099, 8000100)	Spełnia (typ A)	Spełnia (klasa B)
	Podstawa do montażu rdzeniowego (8000089, 8000090)	Spełnia (typ A)	Spełnia (klasa B)
	Podstawa do montażu rdzeniowego z górną podstawą płyty (8000091, 8000092)	Spełnia (typ A)	Spełnia (klasa B)

Tabela 1 – Dane techniczne

Dane techniczne materiałów elementów zespołu żurawika o wysokiej nośności do ciasnych przestrzeni z rysunku 2.		
Rysunek 2 dotyczy następujących elementów	Element	Materiały
(A)	Ramię żurawika	Aluminium 6061-T6
(B)	Trzpień blokujący	Stal ocynkowana
(C)	Tyłny bloczek żurawika	Czarny acetal
(D)	Bloczek ramienia żurawika (2)	Delrin
(E)	Dolny bloczek ramienia żurawika	Delrin
(F)	Wspornik typu „U” (2)	Stal nierdzewna
(G)	Przedłużenie masztu żurawika	Aluminium 6061 i stal ocynkowana
(H)	Wspornik wciągarki	Stal ocynkowana

1.0 ZASTOSOWANIE PRODUKTU

- 1.1 CEL:** Zespół żurawika o wysokiej nośności do ciasnych przestrzeni służy do podnoszenia lub opuszczania pracownika do miejsca pracy oraz zapewnia punkt kotwiczący umożliwiający zabezpieczenie przed upadkiem lub zastosowanie ratunkowe.
- 1.2 NORMY:** Zespół żurawika o wysokiej nośności do ciasnych przestrzeni spełnia wymagania krajowych i regionalnych norm wskazanych na okładce oraz w tabeli 1 niniejszej instrukcji. Jeśli niniejszy produkt podlega odsprzedaży poza pierwotnym krajem przeznaczenia, odsprzedawca powinien przekazać niniejszą instrukcję w języku używanym w kraju użytkownika tego produktu.
- 1.3 INSTALACJA I NADZÓR:** Instalacja zespołu żurawika o wysokiej nośności do ciasnych przestrzeni musi być nadzorowana przez kompetentną osobę¹. Wykwalifikowana osoba² musi zweryfikować, czy instalacja konstrukcji jest zgodna z przepisami lokalnymi i krajowymi. Wykwalifikowana osoba musi zalecić odpowiednie złączki oraz prawidłowe umieszczenie zespołu żurawika o wysokiej nośności do ciasnych przestrzeni. Korzystanie z żurawika oraz przymocowanego do niego sprzętu zabezpieczającego przed upadkiem musi być nadzorowane przez kompetentną osobę.
- 1.4 SZKOLENIE:** Ten sprzęt musi być montowany i użytkowany przez osoby przeszkolone w zakresie jego prawidłowego stosowania. Niniejsza instrukcja może być stosowana w ramach programu szkolenia pracowników i/lub w odniesieniu do przepisów regionalnych. Użytkownicy lub instalatorzy tego urządzenia mają obowiązek upewnić się, że znają niniejszą instrukcję, są przeszkoleni w zakresie prawidłowego utrzymania i użytkowania urządzenia oraz mają świadomość charakterystyki działania, ograniczeń zastosowania oraz skutków niewłaściwego użycia tego urządzenia.
- 1.5 PLAN RATUNKOWY:** podczas korzystania z żurawika oraz powiązanego z nim sprzętu zabezpieczającego przed upadkiem pracodawca musi dysponować planem ratunkowym i niezbędnymi środkami do wdrożenia go oraz zakomunikowania go użytkownikom. Zalecane jest utworzenie przeszkolonego zespołu ratowniczego na miejscu. Członkowie zespołu powinni posiadać wyposażenie oraz znać techniki niezbędne do przeprowadzenia pomyślnej akcji ratunkowej. Wymagane jest okresowe przeprowadzanie szkolenia w celu zapewnienia należytych umiejętności ratunkowych.
- 1.6 CZĘSTOTLIWOŚĆ KONTROLI:** Przed każdym użyciem zespół żurawika o wysokiej nośności do ciasnych przestrzeni musi zostać sprawdzony przez użytkownika, a ponadto co najmniej raz na rok musi przejść kontrolę przeprowadzaną przez kompetentną osobę inną niż użytkownik.³ Procedury przeglądu opisano w części „Dziennik przeglądów i konserwacji”. Wyniki poszczególnych kontroli dokonywanych przez kompetentną osobę należy zapisywać na kopii „Dziennika kontroli i konserwacji”.

2.0 WYMAGANIA DOTYCZĄCE SYSTEMU

- 2.1 KOMPATYBILNOŚĆ ELEMENTÓW:** Sprzęt firmy 3M został zaprojektowany wyłącznie do użytku z innymi zatwierdzonymi elementami i podsystemami firmy 3M. Zastępowanie lub wymienianie elementów lub podsystemów na takie, które nie zostały zatwierdzone, może zagrażać kompatybilności sprzętu i wpływać na bezpieczeństwo oraz niezawodność systemu jako całości.
- 2.2 INDYWIDUALNY SYSTEM ZABEZPIECZENIA PRZED UPADKIEM:** indywidualne systemy zabezpieczenia przed upadkiem (PFAS) stosowane wraz z tym systemem muszą spełniać wymogi obowiązujących norm, kodeksów i wymagań w zakresie zabezpieczenia przed upadkiem. System PFAS musi obejmować pełne szelki bezpieczeństwa i ograniczać siłę powstrzymującą zgodnie z poniższymi wartościami:

	Maksymalna siła zatrzymująca	Upadek swobodny
System PFAS z amortyzującą linką bezpieczeństwa	6 kN (1350 lb)	Ograniczenia dotyczące upadku swobodnego podano w instrukcji dołączonej do linki bezpieczeństwa lub urządzenia samohamownego (SRD).
System PFAS z urządzeniem samohamownym (SRD)	6 kN (1350 lb)	

- 1 Kompetentna osoba:** Osoba potrafiąca rozpoznać istniejące i możliwe do przewidzenia zagrożenia w otoczeniu lub niehigieniczne, niebezpieczne albo stwarzające zagrożenie dla pracowników warunki pracy, która jest równocześnie upoważniona do podejmowania szybkich działań naprawczych w celu ich wyeliminowania.
- 2 Wykwalifikowana osoba:** Osoba z uznanym dyplomem lub profesjonalnym certyfikatem i dużym doświadczeniem w zakresie zabezpieczania przed upadkiem. Ta osoba musi być w stanie projektować, analizować, oceniać i przygotowywać specyfikacje prac w zakresie zabezpieczania przed upadkiem.
- 3 Częstość kontroli:** Ekstremalne warunki robocze (surowe środowisko, długi czas użycia itd.) mogą spowodować konieczność, aby kompetentna osoba przeprowadzała kontrole z większą częstotliwością.

3.0 MONTAŻ

3.1 PLANOWANIE: Przed instalacją i użyciem zespołu żurawika o wysokiej nośności do ciasnych przestrzeni należy zaplanować system zabezpieczenia przed upadkiem. Należy uwzględnić wszystkie czynniki, które mogą wpłynąć na bezpieczeństwo przed, podczas i po upadku.

- Należy zaplanować program pracy przed rozpoczęciem robót. Należy zapewnić odpowiednich pracowników, sprzęt oraz procedury do wykonania pracy.
- Należy zawsze pracować w zespołach. Jedna osoba jest podnoszona lub opuszczana, natomiast druga rozwija lub zwija linę.
- Należy nosić odpowiedni sprzęt ochronny, taki jak: kask ochronny, okulary ochronne, obuwie ochronne z antypoślizgowymi podeszwami, ciężkie rękawice, odzież ochronną i maskę na twarz.
- Przedłużenia masztów zespołu żurawika o wysokiej nośności do ciasnych przestrzeni nie mogą być ustawiane jedno na drugim. Na każdej podstawie żurawika można używać maksymalnie jednego przedłużenia masztu.
- Wszystkie części montażowe i osprzęt wciągarki oraz urządzenia samohamownego muszą być dostarczone lub zatwierdzone przez 3M Fall Protection.
- Należy bezpiecznie zakotwiczyć wciągarkę przed użyciem.
- Użytkownicy systemu muszą nosić zatwierdzone pełne szelki bezpieczeństwa.
- Należy używać wyłącznie urządzeń samohamownych i amortyzatorów o maksymalnej sile hamowania upadku równej lub niższej od najniższej sklasyfikowanego elementu systemu.
- Urządzenia samohamowne i amortyzatory muszą być instalowane oraz stosowane zgodnie z instrukcjami producenta.
- Części modułowe mają oznaczenie nośności oraz klasyfikacji, dla której zostały zaprojektowane, przetestowane i wyprodukowane. Za klasyfikację każdego systemu uznaje się klasyfikację elementu systemu o najniższej klasie. Nie należy używać systemu, jeśli etykiety z oznaczeniem klasy produktu są uszkodzone lub nieczytelne. Nowe etykiety można otrzymać od 3M Fall Protection.
- Zespół żurawika o wysokiej nośności do ciasnych przestrzeni powinien być usunięty z miejsca pracy, gdy nie jest już potrzebny.

3.2 INSTALACJA ZESPOŁU ŻURAWIKA O WYSOKIEJ NOŚNOŚCI DO CIASNYCH PRZESTRZENI:

1. (Rysunek 3) Wstawić przedłużenie masztu zespołu żurawika o wysokiej nośności do ciasnych przestrzeni do zainstalowanej podstawy żurawika o wysokiej nośności 3M. (Opisy podstawy 3M można znaleźć w tabeli 1). Należy zastosować się do instrukcji mocowania podstawy żurawika do konstrukcji kotwiczącej.
2. Przymocować zespół głowicy żurawika do zespołu uniwersalnego:
 - a. (Rysunek 4a) wstawić rurkę płyty węzłowej (A) do złącza spawanego płyty węzłowej zespołu uniwersalnego (B). Użyć trzpienia blokującego (C), aby zamocować rurkę płyty węzłowej w złączu spawanym płyty węzłowej.
 - b. (Rysunek 4b) Zamocować rurkę ramienia głowicy żurawika za pomocą trzpienia zaczepowego (D) między płytami bocznymi (E) zespołu uniwersalnego. Zabezpieczyć trzpień zaczepowy przetyczką, która jest połączona z przeciwną stroną zespołu uniwersalnego.
3. (Rysunek 5) Umieścić zmontowane ramię żurawika/universalne na przedłużeniu masztu. Dolna krawędź rurki ramienia żurawika musi stykać się z występem przedłużenia masztu. Wyśrodkować wcięcie na dole rurki ramienia żurawika na śrubie znajdującej się na występie przedłużenia masztu.
4. (Rysunek 6) Długość przedłużenia ramienia żurawika można wyregulować do jednej z czterech pozycji. Wyjąć trzpień blokujący (A) oraz wysunąć lub wsunąć ramię żurawika, aby uzyskać żądaną długość. Ramię żurawika musi być zabezpieczone w tym położeniu przedłużenia za pomocą trzpienia blokującego (A). Całkowicie wsunąć trzpień blokujący.
5. (Rysunek 7) Kąt ramienia żurawika można wyregulować do jednej z trzech pozycji. Wyjąć trzpień blokujący (C) oraz wysunąć rurkę płyty węzłowej ze złącza spawanego płyty węzłowej (B) lub wsunąć ją. Rurka płyty węzłowej musi być zabezpieczona za pomocą trzpienia blokującego (C). Całkowicie wsunąć trzpień blokujący.
6. (Rysunek 8) Zainstalować wciągarkę zgodnie z instrukcjami producenta. Wciągarka jest mocowana za pomocą wspornika wciągarki, który jest dołączony do zespołu uniwersalnego. Linka wciągarki jest zwykle prowadzona przez tylny bloczek (A) na zespole uniwersalnym oraz górny przedni bloczek (B) na ramieniu żurawika. Możliwe jest również zastosowanie alternatywnej i/lub dodatkowej konfiguracji z mocowaniem przednim. Patrz punkt 3.3.

3.3 WSPORNIK WCIĄGARKI 8000117:

1. (Rysunek 9) Wciągarka lub urządzenie samohamowne do montażu z przodu mogą być dodane do przedłużenia masztu zespołu żurawika o wysokiej nośności do ciasnych przestrzeni dzięki zainstalowaniu drugiego wspornika wciągarki 8000117 (do kupienia osobno). Przymocować wspornik wciągarki (A) do przedłużenia masztu za pomocą dwóch trzpieni blokujących wspornika wciągarki (B). Linka wciągarki lub urządzenia samohamownego korzysta z przedniego bloczka (C) na zespole uniwersalnym oraz dolnego przedniego bloczka (D) na ramieniu żurawika.

3.4 PUNKTY MOCOWANIA WSPORNIKA TYPU „U”:

(Rysunek 10) Dwa punkty mocowania wspornika typu „U” (A i B) mogą być stosowane do zabezpieczenia przed upadkiem, zastosowań ratunkowych lub przenoszenia materiałów. W przypadku używania punktu mocowania A wspornika typu „U” nie wolno przekraczać odległości poziomej 38 cm (15 in) od podstawy żurawika.

4.0 UŻYTKOWANIE

4.1 PRZED KAŻDYM UŻYCIEM: Sprawdzić, czy obszar roboczy oraz indywidualny system zabezpieczenia przed upadkiem (PFAS) spełniają wszystkie kryteria określone w punkcie 2 oraz czy istnieje formalny plan ratunkowy. Sprawdzić zespół żurawika o wysokiej nośności do ciasnych przestrzeni według punktów kontrolnych dla „użytkownika” określonych w „Dzienniku przeglądów i konserwacji” w niniejszej instrukcji. Nie używać systemu, jeżeli w wyniku przeglądu okaże się, że jest wadliwy lub nie zapewnia bezpiecznej pracy. Wycofać system z eksploatacji i zniszczyć lub skontaktować się z firmą 3M w sprawie wymiany bądź naprawy.

5.0 PRZEGLĄD

5.1 CZĘSTOTLIWOŚĆ KONTROLI: Zespół żurawika o wysokiej nośności do ciasnych przestrzeni powinien być sprawdzany w odstępach czasu określonych w punkcie 1. Procedury przeglądu opisano w części „Dziennik przeglądów i konserwacji”. Przeglądy wszystkich innych elementów systemu zabezpieczenia przed upadkiem powinny być wykonywane zgodnie z częstotliwościami i procedurami podanymi w instrukcjach producenta.

5.2 WADY: Jeśli kontrola wykaże, że zespół żurawika o wysokiej nośności do ciasnych przestrzeni jest wadliwy lub nie zapewnia bezpiecznej pracy, należy wycofać go z eksploatacji i skontaktować się z firmą 3M w sprawie wymiany lub naprawy. Nie należy próbować samemu naprawiać systemu zabezpieczenia przed upadkiem.

Wyłącznie autoryzowane naprawy: Niniejszy sprzęt może być naprawiany tylko przez firmę 3M lub podmioty upoważnione przez nią na piśmie.

5.3 OKRES EKSPLOATACJI: Okres eksploatacji zespołu żurawika o wysokiej nośności do ciasnych przestrzeni jest zależny od warunków pracy i konserwacji. Produkt ten może pozostać w eksploatacji tak długo, jak długo spełnia kryteria przeglądu.

6.0 KONSERWACJA, NAPRAWY, PRZECHOWYWANIE

6.1 CZYSZCZENIE: Metalowe elementy zespołu żurawika o wysokiej nośności do ciasnych przestrzeni należy okresowo czyścić miękką szczotką, ciepłą wodą oraz łagodnym roztworem mydła. Części muszą być dokładnie opłukane czystą wodą.

6.2 SERWIS: Niniejszy sprzęt może być naprawiany tylko przez firmę 3M lub podmioty upoważnione przez nią na piśmie. Jeśli zespół żurawika o wysokiej nośności do ciasnych przestrzeni został poddany działaniu siły powstrzymującej upadek lub kontrola wykaże, że jest wadliwy bądź nie zapewnia bezpiecznej pracy, należy wycofać system z eksploatacji i skontaktować się z firmą 3M w sprawie wymiany lub naprawy.

6.3 PRZECHOWYWANIE I TRANSPORT: Gdy zespół żurawika o wysokiej nośności do ciasnych przestrzeni nie jest używany, należy go przechowywać wraz z powiązaniem sprzętem zabezpieczającym przed upadkiem w chłodnym, suchym, czystym miejscu z dala od bezpośredniego działania promieni słonecznych. Należy unikać miejsc, w których mogą występować opary chemiczne. Dokładnie skontrolować elementy po dłuższym okresie przechowywania.

7.0 ETYKIETY

Etykiety zespołu żurawika o wysokiej nośności do ciasnych przestrzeni przedstawiono na rysunku 11. Jeśli etykiety nie są czytelne, należy je wymienić.

Tabela 2 – Dziennik przeglądów i konserwacji

Data przeglądu:		Przeгляд przeprowadził:	
Elementy:	Przeгляд: (częstotliwość przeglądów – patrz punkt 5)	Użytkownik	Kompetentna osoba
Zespół żurawika do ciasnych przestrzeni (rysunki 1 i 2)	Sprawdzić zespół żurawika o wysokiej nośności do ciasnych przestrzeni pod kątem pęknięć, wgnieceń i odkształceń.	<input type="checkbox"/>	<input type="checkbox"/>
	Sprawdzić cały moduł pod kątem oznak korozji.	<input type="checkbox"/>	<input type="checkbox"/>
	Sprawdzić, czy wszystkie złączki są dokręcone. Dokręcić w razie potrzeby.	<input type="checkbox"/>	<input type="checkbox"/>
	Sprawdzić, czy wszystkie trzpienie są całkowicie włożone, a trzpienie zaczepowe są zabezpieczone za pomocą przetyczek.	<input type="checkbox"/>	<input type="checkbox"/>
Etykiety (Rysunek 11)	Sprawdzić, czy wszystkie etykiety są odpowiednio przymocowane i czytelne (patrz część „Etykiety”).	<input type="checkbox"/>	<input type="checkbox"/>
Systemy PFAS i inne urządzenia	Dodatkowe elementy wyposażenia indywidualnego systemu zabezpieczenia przed upadkiem (PFAS) (np. szelki bezpieczeństwa, urządzenie samohamowne itd.), które są stosowane z żurawikiem, powinny być instalowane i sprawdzane zgodnie z instrukcjami producenta.	<input type="checkbox"/>	<input type="checkbox"/>
Numery seryjne:		Data zakupu:	
Numer modelu:		Data pierwszego użycia:	
Działanie naprawcze/konserwacja:		Zatwierdzone przez:	
		Data:	
Działanie naprawcze/konserwacja:		Zatwierdzone przez:	
		Data:	
Działanie naprawcze/konserwacja:		Zatwierdzone przez:	
		Data:	
Działanie naprawcze/konserwacja:		Zatwierdzone przez:	
		Data:	
Działanie naprawcze/konserwacja:		Zatwierdzone przez:	
		Data:	
Działanie naprawcze/konserwacja:		Zatwierdzone przez:	
		Data:	
Działanie naprawcze/konserwacja:		Zatwierdzone przez:	
		Data:	
Działanie naprawcze/konserwacja:		Zatwierdzone przez:	
		Data:	
Działanie naprawcze/konserwacja:		Zatwierdzone przez:	
		Data:	
Działanie naprawcze/konserwacja:		Zatwierdzone przez:	
		Data:	
Działanie naprawcze/konserwacja:		Zatwierdzone przez:	
		Data:	

Certifique-se de que lê, compreende e segue todas as informações de segurança antes de utilizar este Dispositivo de Entrada/Resgate em Espaço Confinado. O INCUMPRIMENTO DESSAS INSTRUÇÕES PODERÁ RESULTAR EM LESÕES GRAVES OU MORTE.

Estas instruções têm de ser fornecidas ao utilizador deste equipamento. Guarde estas instruções para referência futura.

Uso previsto:

Este Dispositivo de Entrada/Resgate em Espaço Confinado deve ser utilizado como parte de um sistema pessoal completo de proteção antiqueda ou de resgate.

A sua utilização noutras circunstâncias incluindo, sem limitações, aplicações não aprovadas de manuseamento de materiais, atividades recreativas ou relacionadas com desporto ou outras atividades não descritas nas Instruções para o Utilizador ou nas Instruções de Instalação, não é aprovada pela 3M, e pode resultar em ferimentos graves ou morte.

Este dispositivo só deve ser utilizado por pessoas que tenham recebido formação no local de trabalho.

AVISO

Este Dispositivo de Entrada/Resgate em Espaço Confinado faz parte de um sistema de proteção antiqueda pessoal ou de um sistema de resgate. Todos os utilizadores devem receber formação quanto à instalação e manuseamento seguros de todo o sistema. **A má utilização deste dispositivo pode resultar em ferimentos graves ou morte.** Para a devida seleção, manuseamento, instalação, manutenção e reparação, consulte todas as Instruções sobre o Produto e todas as recomendações do fabricante, consulte o seu supervisor ou contacte os serviços técnicos da 3M.

- **Para minimizar os riscos associados à utilização de um Dispositivo de Entrada/Resgate em Espaço Confinado que, caso não evitados, podem resultar em ferimentos graves ou morte:**
 - Inspeccione o dispositivo antes de cada utilização, pelo menos uma vez por ano, e após cada incidente de queda. Inspeccione de acordo com as Instruções para o utilizador.
 - Se a inspeção revelar uma condição perigosa ou defeito, retire o dispositivo de serviço e repare-o ou substitua-o de acordo com as Instruções para o utilizador.
 - Qualquer dispositivo que tiver sido sujeito a forças de detenção da queda ou de impacto, deve ser imediatamente retirado de serviço. Consulte o Manual de instruções ou contacte o Departamento de proteção contra quedas da 3M.
 - O dispositivo apenas deve ser instalado da forma indicada em pormenor nas Instruções de Instalação ou nas Instruções para o Utilizador. As instalações e a utilização fora do âmbito das instruções devem ser aprovadas por escrito pela 3M Fall Protection.
 - O substrato ou a estrutura à qual o dispositivo é fixado deve ser capaz de suportar as cargas estáticas especificadas para o dispositivo nas orientações permitidas nas Instruções para o Utilizador ou nas Instruções de Instalação.
 - Não exceda o número de utilizadores permitidos.
 - Nunca trabalhe debaixo de uma carga ou de um trabalhador suspenso(a).
 - Tenha cautela ao instalar, usar e mover o dispositivo, uma vez que as partes móveis podem criar potenciais pontos de aperto. Consulte as Instruções para o Utilizador.
 - Certifique-se de que foram seguidos procedimentos adequados de bloqueio/sinalização, conforme aplicável.
 - Nunca fixe a um sistema até que o mesmo esteja posicionado, devidamente montado, ajustado e instalado. Não ajuste o sistema enquanto um utilizador estiver ligado ao mesmo.
 - Apenas conecte subsistemas de proteção antiqueda ao ponto de conexão de ancoragem designado no dispositivo.
 - Antes de perfurar ou fixar, certifique-se de que a broca ou o dispositivo não entrarão em contacto com cabos elétricos, condutas de gás, ou outros sistemas críticos incorporados.
 - Assegure-se de que os sistemas/subsistemas de proteção antiqueda, montados com componentes produzidos por diferentes fabricantes, são compatíveis e satisfazem os requisitos das normas aplicáveis, incluindo a ANSI Z359 ou outros códigos, normas ou requisitos de proteção antiqueda aplicáveis. Consulte sempre uma Pessoa competente ou Qualificada antes de utilizar estes sistemas.
- **Para minimizar os riscos associados à utilização em trabalhos em altura que, caso não evitados, podem resultar em ferimentos graves ou morte:**
 - Certifique-se de que a sua condição física e o seu estado de saúde lhe permitem suportar, com segurança, todas as forças associadas ao trabalho em altura. Consulte um médico caso tenha alguma questão quanto à sua capacidade de utilizar este equipamento.
 - Nunca exceda a capacidade permitida do seu equipamento de proteção antiqueda.
 - Nunca exceda a distância de queda livre máxima do seu equipamento de proteção antiqueda.
 - Não utilize qualquer equipamento de proteção antiqueda que não cumpra os critérios predefinidos ou outras inspeções agendadas ou caso tenha dúvidas quanto à utilização ou adequação do equipamento no seu trabalho. Contacte os serviços técnicos da 3M se tiver dúvidas.
 - Algumas combinações de subsistemas e componentes podem interferir com o funcionamento deste equipamento. Utilize apenas conectores compatíveis. Consulte a 3M quando instalar ou utilizar este equipamento em combinação com componentes ou subsistemas diferentes dos descritos nas Instruções para o utilizador.
 - Tome precauções adicionais ao trabalhar perto de maquinaria em movimento (por exemplo, sistema top drive das plataformas petrolíferas), quanto a perigos elétricos, temperaturas extremas, perigos químicos, gases explosivos ou tóxicos, bermas afiadas ou materiais suspensos que possam cair em cima de si ou do equipamento de proteção antiqueda.
 - Utilize equipamentos de proteção contra soldadura por arco elétrico ou materiais inflamáveis ao trabalhar em ambientes de temperatura elevada.
 - Evite superfícies ou objetos que possam causar-lhe ferimentos ou danificar o equipamento.
 - Certifique-se de que existe uma altura livre de queda ao trabalhar em alturas.
 - Nunca modifique ou altere o equipamento de proteção antiqueda. Apenas a 3M ou terceiros com autorização escrita da 3M podem efetuar reparações neste equipamento.
 - Antes de utilizar equipamento de proteção antiqueda, certifique-se de que existe um plano de resgate pronto a ser acionado caso ocorra um incidente de queda.
 - No caso de um incidente de queda, solicite imediatamente ajuda médica para o trabalhador que caiu.
 - Não utilize um cinto de segurança para aplicações de detenção da queda. Utilize apenas um arnés de corpo inteiro.
 - Minimizar as quedas em pêndulo trabalhando o mais possível diretamente abaixo do ponto de ancoragem.
 - Se o dispositivo for utilizado durante uma formação, deve ser utilizado um sistema de proteção antiqueda secundário para garantir que o formando não fica exposto a perigos de queda.
 - Utilize sempre equipamento de proteção individual adequado durante a instalação, utilização ou inspeção do dispositivo/sistema.

Antes da instalação e utilização deste equipamento, registre os dados de identificação do produto da etiqueta de identificação no Registo de Inspeções e Manutenções (2) no verso deste manual.

DESCRIÇÃO DO PRODUTO:

A Figura 1 ilustra o Conjunto de Braço Elevatório de Alta Capacidade (HC) para Espaços Confinados da 3M™. O Conjunto de Braço Elevatório HC para Espaços Confinados é utilizado para elevar ou descer um trabalhador para um espaço de trabalho e fornecer uma detenção da queda ou ponto de ancoragem de salvamento. Estas instruções aplicam-se aos seguintes componentes do Conjunto de Braço Elevatório HC para Espaços Confinados:

- (A) Braço elevatório HC de curto alcance, número da peça 8000107, braço elevatório HC de longo alcance, número da peça 8000108.
- (B) Quatro comprimentos de extensão de mastro disponíveis.
- (C) Conjunto universal, número da peça 8000109.
- (D) Braço de compensação de curto alcance, número da peça 8000110, (e) braço de compensação de longo alcance, número da peça 8000111.
- (F) Suporte de guincho, número da peça 8000117 (incluído com o conjunto universal para guincho ou SRL de montagem traseira; suporte de guincho adicional 8000117 necessário para guincho ou SRL de montagem frontal).

O mastro do Conjunto de Braço Elevatório HC para Espaços Confinados é instalado numa base adequada da 3M, disponível em separado. Consulte a Tabela 1 - Especificações.

A instalação da base tem de ser aprovada de acordo com os regulamentos locais por um engenheiro especializado. Consulte as instruções de instalação da base. As extensões de mastro de Conjunto de Braço Elevatório HC para Espaços Confinados não podem ser empilhadas. Pode ser utilizada, no máximo, uma extensão de mastro por base de braço elevatório.

Tabela 1 – Especificações

Especificações do sistema:																																	
Capacidade:	<p>Proteção antiqueda: EN795:2012 e CEN/TS 16415:2013 com classificação para um ou dois utilizadores. Salvamento: EN1496:2006 com classificação para um utilizador com um peso combinado máximo de 140 kg (310 libras), incluindo ferramentas e equipamento, sobre o cabo durante a utilização. Manuseamento de material: 205 kg (450 libras) quando utilizado sobre qualquer base portátil HC da 3M (3 peças, engate de camião ou carrinho de contrapeso) e uma capacidade de 340 kg (750 libras) quando utilizado sobre qualquer base permanente HC da 3M (montagem no solo, montagem mural, montagem em plataforma ou montagem central). Consulte as especificações de Capacidade de Manuseamento de Material abaixo:</p> <table border="1"> <thead> <tr> <th>Capacidade de manuseamento de material (kg, libras)</th> <th>Descrição de base da 3M</th> <th>Número da peça da base da 3M</th> </tr> </thead> <tbody> <tr> <td>205 kg (450 libras)</td> <td>Base de 3 peças de curto alcance</td> <td>8000104</td> </tr> <tr> <td>205 kg (450 libras)</td> <td>Base de 3 peças de longo alcance</td> <td>8000105</td> </tr> <tr> <td>205 kg (450 libras)</td> <td>Base de engate de camião</td> <td>8000103</td> </tr> <tr> <td>205 kg (450 libras)</td> <td>Base para carrinho de contrapeso</td> <td>8000106</td> </tr> <tr> <td>340 kg (750 libras)</td> <td>Base de montagem no solo</td> <td>8000095 – Galvanizada 8000096 – Aço inoxidável</td> </tr> <tr> <td>340 kg (750 libras)</td> <td>Base de montagem mural</td> <td>8000101 – Galvanizada 8000102 – Aço inoxidável</td> </tr> <tr> <td>340 kg (750 libras)</td> <td>Base de montagem em plataforma</td> <td>8000099 – Galvanizada 8000100 – Aço inoxidável</td> </tr> <tr> <td>340 kg (750 libras)</td> <td>Base de montagem central</td> <td>8000089 – Galvanizada 8000090 – Aço inoxidável</td> </tr> <tr> <td>340 kg (750 libras)</td> <td>Montagem central com base de placa superior</td> <td>8000091 – Galvanizada 8000092 – Aço inoxidável</td> </tr> </tbody> </table>			Capacidade de manuseamento de material (kg, libras)	Descrição de base da 3M	Número da peça da base da 3M	205 kg (450 libras)	Base de 3 peças de curto alcance	8000104	205 kg (450 libras)	Base de 3 peças de longo alcance	8000105	205 kg (450 libras)	Base de engate de camião	8000103	205 kg (450 libras)	Base para carrinho de contrapeso	8000106	340 kg (750 libras)	Base de montagem no solo	8000095 – Galvanizada 8000096 – Aço inoxidável	340 kg (750 libras)	Base de montagem mural	8000101 – Galvanizada 8000102 – Aço inoxidável	340 kg (750 libras)	Base de montagem em plataforma	8000099 – Galvanizada 8000100 – Aço inoxidável	340 kg (750 libras)	Base de montagem central	8000089 – Galvanizada 8000090 – Aço inoxidável	340 kg (750 libras)	Montagem central com base de placa superior	8000091 – Galvanizada 8000092 – Aço inoxidável
Capacidade de manuseamento de material (kg, libras)	Descrição de base da 3M	Número da peça da base da 3M																															
205 kg (450 libras)	Base de 3 peças de curto alcance	8000104																															
205 kg (450 libras)	Base de 3 peças de longo alcance	8000105																															
205 kg (450 libras)	Base de engate de camião	8000103																															
205 kg (450 libras)	Base para carrinho de contrapeso	8000106																															
340 kg (750 libras)	Base de montagem no solo	8000095 – Galvanizada 8000096 – Aço inoxidável																															
340 kg (750 libras)	Base de montagem mural	8000101 – Galvanizada 8000102 – Aço inoxidável																															
340 kg (750 libras)	Base de montagem em plataforma	8000099 – Galvanizada 8000100 – Aço inoxidável																															
340 kg (750 libras)	Base de montagem central	8000089 – Galvanizada 8000090 – Aço inoxidável																															
340 kg (750 libras)	Montagem central com base de placa superior	8000091 – Galvanizada 8000092 – Aço inoxidável																															
Dimensões:	Consulte a Figura 1 para obter as dimensões dos componentes do Conjunto de Braço Elevatório HC para Espaços Confinados.																																
Peso do produto:	Consulte a Figura 1 para obter o peso dos componentes do Conjunto de Braço Elevatório HC para Espaços Confinados.																																
Certificação:	<p>Certificações de braços elevatórios HC e de extensões de mastros HC quando utilizadas com bases portáteis ou permanentes HC</p> <table border="1"> <thead> <tr> <th>Bases portáteis</th> <th>EN795:2012 CEN/TS16415:2013</th> <th>EN1496:2006</th> </tr> </thead> <tbody> <tr> <td>Base de 3 peças (8000104, 8000105)</td> <td>Certificada (Tipo B)</td> <td>Cumpre (Classe B)</td> </tr> <tr> <td>Base de engate de camião (8000103)</td> <td>Certificada (Tipo B)</td> <td>Cumpre (Classe B)</td> </tr> <tr> <td>Base para carrinho de contrapeso (8000106)</td> <td>Certificada (Tipo B)</td> <td>Cumpre (Classe B)</td> </tr> <tr> <td colspan="3">Bases permanentes</td> </tr> <tr> <td>Base de montagem no solo (8000095, 8000096)</td> <td>Cumpre (Tipo A)</td> <td>Cumpre (Classe B)</td> </tr> <tr> <td>Base de montagem mural (8000101, 8000102)</td> <td>Cumpre (Tipo A)</td> <td>Cumpre (Classe B)</td> </tr> <tr> <td>Base de montagem em plataforma (8000099, 8000100)</td> <td>Cumpre (Tipo A)</td> <td>Cumpre (Classe B)</td> </tr> <tr> <td>Base de montagem central (8000089, 8000090)</td> <td>Cumpre (Tipo A)</td> <td>Cumpre (Classe B)</td> </tr> <tr> <td>Montagem central com base de placa superior (8000091, 8000092)</td> <td>Cumpre (Tipo A)</td> <td>Cumpre (Classe B)</td> </tr> </tbody> </table>			Bases portáteis	EN795:2012 CEN/TS16415:2013	EN1496:2006	Base de 3 peças (8000104, 8000105)	Certificada (Tipo B)	Cumpre (Classe B)	Base de engate de camião (8000103)	Certificada (Tipo B)	Cumpre (Classe B)	Base para carrinho de contrapeso (8000106)	Certificada (Tipo B)	Cumpre (Classe B)	Bases permanentes			Base de montagem no solo (8000095, 8000096)	Cumpre (Tipo A)	Cumpre (Classe B)	Base de montagem mural (8000101, 8000102)	Cumpre (Tipo A)	Cumpre (Classe B)	Base de montagem em plataforma (8000099, 8000100)	Cumpre (Tipo A)	Cumpre (Classe B)	Base de montagem central (8000089, 8000090)	Cumpre (Tipo A)	Cumpre (Classe B)	Montagem central com base de placa superior (8000091, 8000092)	Cumpre (Tipo A)	Cumpre (Classe B)
Bases portáteis	EN795:2012 CEN/TS16415:2013	EN1496:2006																															
Base de 3 peças (8000104, 8000105)	Certificada (Tipo B)	Cumpre (Classe B)																															
Base de engate de camião (8000103)	Certificada (Tipo B)	Cumpre (Classe B)																															
Base para carrinho de contrapeso (8000106)	Certificada (Tipo B)	Cumpre (Classe B)																															
Bases permanentes																																	
Base de montagem no solo (8000095, 8000096)	Cumpre (Tipo A)	Cumpre (Classe B)																															
Base de montagem mural (8000101, 8000102)	Cumpre (Tipo A)	Cumpre (Classe B)																															
Base de montagem em plataforma (8000099, 8000100)	Cumpre (Tipo A)	Cumpre (Classe B)																															
Base de montagem central (8000089, 8000090)	Cumpre (Tipo A)	Cumpre (Classe B)																															
Montagem central com base de placa superior (8000091, 8000092)	Cumpre (Tipo A)	Cumpre (Classe B)																															

Tabela 1 – Especificações

Especificações de material dos componentes do Conjunto de Braço Elevatório HC para Espaços Confinados na Figura 2.		
Referência na Figura 2	Componente	Materiais
(A)	Braço elevatório	Alumínio 6061-T6
(B)	Pino detentor	Aço galvanizado
(C)	Roldana traseira do braço elevatório	Acetal preto
(D)	Roldana de braço elevatório (2)	Delrin
(E)	Roldana inferior do braço elevatório	Delrin
(F)	Suporte em U (2)	Aço inoxidável
(G)	Extensão de mastro do braço elevatório	Alumínio 6061 e aço galvanizado
(H)	Suporte do guincho	Aço galvanizado

1.0 APLICAÇÃO DO PRODUTO

- 1.1 FINALIDADE:** O Conjunto de Braço Elevatório HC para Espaços Confinados é utilizado para elevar ou descer um trabalhador para um espaço de trabalho e fornece uma detenção da queda ou ponto de ancoragem de salvamento.
- 1.2 NORMAS:** O Conjunto de Braço Elevatório HC para Espaços Confinados está em conformidade com as normas nacionais ou regionais identificadas na capa e na Tabela 1 destas instruções. Se este produto for revendido fora do país de destino original, o revendedor deve fornecer estas instruções na língua do país no qual o produto será usado.
- 1.3 INSTALAÇÃO E SUPERVISÃO:** A instalação do Conjunto de Braço Elevatório HC para Espaços Confinados tem de ser supervisionada por uma Pessoa Competente¹. Uma Pessoa Qualificada² tem de verificar se a instalação estrutural cumpre os regulamentos locais e federais. Uma Pessoa Qualificada tem de recomendar os elementos de fixação adequados e a localização correta do Conjunto de Braço Elevatório HC para Espaços Confinados. A utilização do Braço Elevatório e do equipamento de Detenção de Queda associado tem de ser supervisionado por uma Pessoa Competente.
- 1.4 FORMAÇÃO:** Este equipamento deve ser instalado e utilizado por pessoas que tenham recebido formação quanto à sua correta aplicação. Este manual pode ser utilizado como parte do programa de formação de um colaborador e/ou regulamentos regionais. É da responsabilidade do utilizador e do instalador deste equipamento assegurarem que estão familiarizados com estas instruções, que receberam formação sobre o tratamento e utilização corretos deste equipamento e que estão sensibilizados para as características do funcionamento, os limites de aplicação e as consequências da utilização indevida do mesmo.
- 1.5 PLANO DE SALVAMENTO:** quando utilizar o Braço Elevatório e o equipamento de Detenção de Queda associado, a entidade patronal tem de ter um plano de salvamento e meios disponíveis para implementar e comunicar esse plano aos utilizadores. Recomenda-se a presença de uma equipa de salvamento profissional no local. Os membros da equipa devem receber o equipamento e conhecer as técnicas necessárias para realizar um salvamento bem sucedido. A formação deve ser ministrada regularmente para assegurar a competência técnica do socorro.
- 1.6 FREQUÊNCIA DE INSPEÇÕES:** O Conjunto de Braço Elevatório HC para Espaços Confinados deve ser inspecionado pelo utilizador antes de cada utilização e, adicionalmente, por uma pessoa competente que não o utilizador em intervalos que não ultrapassem um ano.³ Os procedimentos de inspeção estão descritos no "Registo de inspeções e manutenções". Os resultados de cada inspeção realizada por pessoas competentes devem ser registados em cópias do "Registo de inspeções e manutenções".

2.0 REQUISITOS DO SISTEMA

- 2.1 COMPATIBILIDADE DE COMPONENTES:** O equipamento da 3M destina-se ser usado apenas com outros componentes e subsistemas aprovados pela 3M. As substituições efetuadas com componentes ou subsistemas não aprovados podem comprometer a compatibilidade do equipamento e podem afetar a segurança e fiabilidade de todo o sistema.
- 2.2 SISTEMA PESSOAL DE PROTEÇÃO ANTIQUEDAS:** os sistemas pessoais de proteção antiquedas (PFAS) usados com o sistema devem cumprir as normas, códigos e requisitos da proteção antiqueda aplicáveis. O PFAS tem de incorporar um arnês de corpo inteiro e limitar a força de detenção até aos seguintes valores:

	Força de máxima paragem	Queda livre
Sistema pessoal de paragem de queda com cabos de segurança amortecedores de impacto	6 kN (1350 lb)	<i>Consulte as instruções incluídas com o seu cabo de segurança ou SRD para saber as limitações de queda livre.</i>
Sistema pessoal de paragem de queda com dispositivo autorretrátil (SRD)	6 kN (1350 lb)	

1 Pessoa competente: Pessoa capaz de identificar riscos existentes e previsíveis nas proximidades ou condições de trabalho pouco higiénicas, prejudiciais ou perigosas para os funcionários, e que tem autorização para tomar medidas corretivas imediatas para os eliminar.

2 Pessoa qualificada: Um indivíduo com um grau reconhecido ou certificado profissional e experiência alargada em Proteção contra quedas. Este indivíduo deverá estar apto a desenhar, analisar, avaliar e a fornecer especificações de Proteção contra quedas.

3 Frequência de inspeções: As condições de trabalho extremas (ambientes rigorosos, utilização prolongada, etc.) podem necessitar de aumentar a frequência das inspeções por pessoas competentes.

3.0 INSTALAÇÃO

3.1 PLANEAMENTO: Planeie o seu sistema de proteção antiqueda antes de utilizar e instalar o Conjunto de Braço Elevatório HC para Espaços Confinados. Tenha em consideração todos os fatores que podem afetar a sua segurança antes, durante e após uma queda.

- Planeie um programa de trabalho antes de começar a trabalhar. Tenha à disposição as pessoas, equipamentos e procedimentos necessários para fazer o trabalho.*
- Trabalhe sempre em equipas. Uma pessoa a ser elevada ou descida e outra pessoa a desenrolar e a enrolar a linha.*
- Utilize equipamento de proteção adequado tal como capacete, óculos de segurança, calçado de proteção com sola antiderrapante, luvas resistentes, vestuário de proteção e uma máscara facial.*
- As extensões de mastro de Conjunto de Braço Elevatório HC para Espaços Confinados não podem ser empilhadas. Pode ser utilizada, no máximo, uma extensão de mastro por base de braço elevatório.*
- Todas as peças de montagem e ferragens de guinchos e SRL têm de ser fornecidas ou aprovadas pela 3M Fall Protection.*
- Fixe bem o guincho antes de utilizar.*
- Os utilizadores do sistema têm de utilizar um arnês de corpo inteiro aprovado.*
- Utilize apenas dispositivos retráteis ou absorvedores de energia com uma força de detenção máxima igual ou inferior ao componente do seu sistema com a capacidade nominal mais baixa.*
- Os dispositivos retráteis e absorvedores de energia têm de ser instalados e utilizados de acordo com as instruções do fabricante.*
- Os componentes modulares possuem etiquetas com as capacidades e classificações com as quais foram concebidos, testados e fabricados. A classificação de qualquer sistema é considerada a classificação do componente com menos classificação do sistema. Não utilize equipamento se as etiquetas de classificação estiverem danificadas ou ilegíveis. Poderá solicitar novas etiquetas à 3M Fall Protection.*
- O Conjunto de Braço Elevatório HC para Espaços Confinados deve ser removido do estaleiro quando já não for necessário.*

3.2 INSTALA O CONJUNTO DE BRAÇO ELEVATÓRIO HC PARA ESPAÇOS CONFINADOS:

1. (Figura 3) Insira a extensão de mastro do Conjunto de Braço Elevatório HC para Espaços Confinados numa base de braço elevatório HC da 3M instalada. (Consulte a Tabela 1 para ler descrições de Bases da 3M) Siga as instruções de instalação da base de braço elevatório para fixá-la à estrutura de ancoragem.
2. Fixe o conjunto de cabeça de braço elevatório ao conjunto universal:
 - a. (Figura 4a) insira o tubo de placa da cabeça do braço elevatório (A) na soldadura da placa do conjunto universal (B). Utilize um pino detentor (C) para prender o tubo de placa na soldadura da placa.
 - b. (Figura 4b) Utilize o pino de engate (D) para fixar o tubo do braço da cabeça do braço elevatório entre as placas laterais (E) do conjunto universal. Prenda o pino de engate com a cavilha que está ligada ao lado oposto do conjunto universal.
3. (Figura 5) Coloque o braço elevatório/universal montado na extensão de mastro. A aresta inferior do tubo do braço elevatório tem de contactar o rebordo da extensão do mastro. Centre o entalhe na parte inferior do tubo do braço elevatório no parafuso localizado no rebordo da extensão do mastro.
4. (Figura 6) A extensão do braço elevatório pode ser ajustada para uma de quatro posições. Remova o pino detentor (A) e faça deslizar a extensão do braço elevatório para fora ou para dentro para se obter o comprimento pretendido. O braço elevatório tem de ser preso nessa posição de extensão com o pino detentor (A). Insira totalmente o pino detentor.
5. (Figura 7) O ângulo do braço elevatório pode ser ajustado para uma de três posições. Remova o pino detentor (C) e faça deslizar o tubo de placa (A) para dentro ou para fora da soldadura da placa (B). O tubo de placa tem de ser preso com o pino detentor (C). Insira totalmente o pino detentor.
6. (Figura 8) Instale o guincho de acordo com as instruções do fabricante. O guincho é montado com o suporte de guincho incluído com o conjunto universal. O cabo do guincho é normalmente passado sobre a roldana traseira (A) no conjunto universal e sobre a roldana dianteira superior (B) no Braço Elevatório. É possível uma configuração de montagem frontal alternativa e/ou adicional. Consulte a secção 3.3.

3.3 SUPORTE DE GUINCHO 8000117:

1. (Figura 9) Pode ser adicionado um guincho ou SRL de montagem frontal à extensão de mastro de Conjunto de Braço Elevatório HC para Espaços Confinados através da instalação de um segundo suporte de guincho 8000117 (adquirido em separado). Prenda o suporte de guincho (A) à extensão de mastro com os dois pinos detentores de suporte de guincho (B). O cabo do guincho ou do SRL utiliza a roldana dianteira (C) no conjunto universal e a roldana dianteira inferior (D) no braço elevatório.

3.4 PONTO DE FIXAÇÃO DE SUPORTE EM U:

(Figura 10) Os dois pontos de fixação de suporte em U (A e B) podem ser utilizados para detenção da queda, salvamento ou manuseamento de material. Ao utilizar o ponto A de fixação do suporte em U, não exceda 38 cm (15 pol.) de distância horizontal da base de braço elevatório.

4.0 UTILIZAÇÃO

4.1 ANTES DE CADA UTILIZAÇÃO: Confirme que a sua área de trabalho e sistema pessoal de paragem de queda (PFAS) cumprem os critérios definidos na Secção 2 e que existe um plano de salvamento implementado. Inspeccione o Conjunto de Braço Elevatório HC para Espaços Confinados de acordo com os pontos de inspeção do "Utilizador" definidos no "Registo de Inspeção e Manutenção" neste manual. Não utilize o sistema se a inspeção revelar uma condição perigosa ou defeituosa. Retire o sistema do serviço e destrua, ou contacte a 3M relativamente a substituição ou reparação.

5.0 INSPEÇÃO

5.1 FREQUÊNCIA DE INSPEÇÃO: O Conjunto de Braço Elevatório HC para Espaços Confinados tem de ser inspecionado nos intervalos definidos na Secção 1. Os procedimentos de inspeção estão descritos no "Registo de inspeções e manutenções". Inspeccione todos os outros componentes do sistema de proteção antiqueda de acordo com as frequências e procedimentos definidos nas instruções do respetivo fabricante.

5.2 DEFEITOS: Se a inspeção revelar condições perigosas ou defeituosas, retire o Conjunto de Braço Elevatório HC para Espaços Confinados de serviço imediatamente e contacte a 3M relativamente a substituição ou reparação. Não tente reparar o Sistema de detenção da queda.

Apenas reparações autorizadas: Apenas a 3M ou terceiros com autorização escrita podem efetuar reparações neste equipamento.

5.3 VIDA ÚTIL DO PRODUTO: A vida funcional do Conjunto de Braço Elevatório HC para Espaços Confinados é determinada pelas condições de trabalho e manutenção. Enquanto o produto passar os critérios de inspeção, poderá continuar a ser utilizado.

6.0 MANUTENÇÃO, REPARAÇÃO, ARMAZENAMENTO

6.1 LIMPEZA: Limpe periodicamente os componentes metálicos do Conjunto de Braço Elevatório HC para Espaços Confinados com uma escova suave, água morna e uma solução de sabão suave. Certifique-se de que as peças foram lavadas minuciosamente com água limpa.

6.2 REPARAÇÃO: Apenas a 3M ou terceiros com autorização escrita pela 3M podem efetuar reparações neste equipamento. Se o Conjunto de Braço Elevatório HC para Espaços Confinados tiver sido sujeito a forças de queda ou se a inspeção revelar condições perigosas ou defeituosas, retire o sistema de serviço e contacte a 3M relativamente a substituição ou reparação.

6.3 ARMAZENAMENTO E TRANSPORTE: Quando não estiver a ser utilizado, armazene e transporte o Conjunto de Braço Elevatório HC para Espaços Confinados e o equipamento de proteção antiqueda associado num ambiente fresco, seco e limpo, afastado da luz solar direta. Evite áreas onde possam existir vapores químicos. Inspeccione minuciosamente os componentes após armazenamento prolongado.

7.0 ETIQUETAS

A Figura 11 ilustra as etiquetas do Conjunto de Braço Elevatório HC para Espaços Confinados. As etiquetas devem ser substituídas se não forem completamente legíveis.

Tabela 2 – Registo de Inspeção e manutenção

Data da inspeção:		Inspeccionado por:	
Componentes:	Inspeção: (Consulte a Secção 5 para mais informações sobre a <i>Frequência de inspeções</i>)	Utilizador	Pessoa competente
Conjunto de Braço Elevatório para Espaços Confinados (Figuras 1 e 2)	Inspeccione o Conjunto de Braço Elevatório para Espaços Confinados para verificar se existem fissuras, mossas ou deformações.	<input type="checkbox"/>	<input type="checkbox"/>
	Inspeccione toda a unidade para verificar se existe corrosão.	<input type="checkbox"/>	<input type="checkbox"/>
	Inspeccione todos os elementos de fixação para garantir que estão apertados. Aperte se necessário.	<input type="checkbox"/>	<input type="checkbox"/>
	Inspeccione para verificar se todos os pinos estão totalmente inseridos e se os pinos de engate estão corretamente fixos com cavilhas.	<input type="checkbox"/>	<input type="checkbox"/>
Etiquetas (Figura 11)	Confirme que todas as etiquetas estão bem fixadas e legíveis (consulte a secção "Etiquetas")	<input type="checkbox"/>	<input type="checkbox"/>
Sistema pessoal de paragem de queda e outros equipamentos	Os itens de equipamento adicional do sistema pessoal de proteção anti-queda (PFAS) (arnês, SRL, etc.) utilizados com o Braço Elevatório devem ser instalados e inspeccionados de acordo com as instruções do fabricante.	<input type="checkbox"/>	<input type="checkbox"/>

Número(s) de série:	Data de aquisição:
Número do modelo:	Data da primeira utilização:
Ação corretiva/manutenção:	Aprovado por:
	Data:
Ação corretiva/manutenção:	Aprovado por:
	Data:
Ação corretiva/manutenção:	Aprovado por:
	Data:
Ação corretiva/manutenção:	Aprovado por:
	Data:
Ação corretiva/manutenção:	Aprovado por:
	Data:
Ação corretiva/manutenção:	Aprovado por:
	Data:
Ação corretiva/manutenção:	Aprovado por:
	Data:
Ação corretiva/manutenção:	Aprovado por:
	Data:
Ação corretiva/manutenção:	Aprovado por:
	Data:
Ação corretiva/manutenção:	Aprovado por:
	Data:
Ação corretiva/manutenção:	Aprovado por:
	Data:
Ação corretiva/manutenção:	Aprovado por:
	Data:

ТЕХНИКА БЕЗОПАСНОСТИ

Перед использованием данного средства для входа в ограниченное пространство/защиты от падения втягивающего типа (SRD) пользователи должны изучить, понять и соблюдать все указания по технике безопасности, содержащиеся в данной инструкции. **НЕСОБЛЮДЕНИЕ ПРАВИЛ, УКАЗАННЫХ В ИНСТРУКЦИИ, МОЖЕТ ПРИВЕСТИ К СЕРЬЕЗНЫМ ТРАВМАМ ИЛИ СМЕРТИ.**

Эти инструкции должны быть предоставлены пользователю оборудования. Сохраните эту инструкцию для дальнейшего использования.

Предусмотренное использование:

Данное средство для входа в ограниченное пространство/защиты от падения втягивающего типа предназначено для использования в комплекте с персональной страховочной системой или в качестве системы спасения и эвакуации.

Любое другое использование, в том числе, помимо прочего, погрузочно-разгрузочные операции, мероприятия, связанные с досугом, связанная со спортом деятельность или другие виды деятельности, не описанные в Инструкциях по эксплуатации или Инструкциях по установке, не утверждено компанией 3M и может привести к серьезным травмам или летальному исходу.

Данное устройство предназначено для использования лицами, обученными правильному применению этого устройства на рабочем месте.



ВНИМАНИЕ

Это устройство входа в замкнутое пространство/спасательное устройство представляет собой часть персональной страховочной системы. Ожидается, что все пользователи будут полностью обучены безопасной установке и эксплуатации всей данной системы. **Неправильное использование данного устройства может привести к серьезным травмам или летальному исходу.** Для правильного подбора, эксплуатации, монтажа и технического обслуживания см. все Инструкции по эксплуатации и все рекомендации производителя, а также можете обратиться к своему руководителю или в службу технической поддержки компании 3M.

- **Что необходимо делать, чтобы снизить риски, связанные с входом в замкнутое пространство/работой со средствами защиты от падения втягивающего типа, которые, если их не избежать, могут привести к серьезным травмам или летальному исходу:**
 - Перед каждым использованием устройства проверяйте его как минимум раз в год и после любого случая падения. Выполняйте проверку в соответствии с инструкцией по эксплуатации данного продукта.
 - Если при проверке было выявлено, что какие-либо элементы находятся в неисправном состоянии, снимите устройство с эксплуатации и отремонтируйте или замените его в соответствии с Инструкцией по эксплуатации.
 - Любое устройство, подвергнутое тормозящим или ударным воздействиям при остановке падения, подлежат немедленному изъятию из эксплуатации. См. Инструкцию по эксплуатации или свяжитесь с компанией 3M Fall Protection.
 - Это устройство должно устанавливаться только в соответствии с инструкциями по установке или инструкциями по эксплуатации. Установка и использование, выходящие за рамки инструкции, должны быть утверждены в письменной форме компанией 3M Fall Protection.
 - Материал или конструкция, к которым прикреплено это устройство, должны выдерживать статические нагрузки, указанные для устройства в ориентациях, разрешенных в инструкциях по эксплуатации или в инструкциях по установке.
 - Не превышайте количество допустимых пользователей.
 - Никогда не работайте под подвешенным грузом или работником.
 - Соблюдайте осторожность при установке, использовании и перемещении этого устройства, поскольку движущиеся части могут создавать потенциальные точки защемления. См. Инструкцию по эксплуатации.
 - Убедитесь, что соблюдены надлежащие процедуры, касающиеся блокировки/отключения.
 - Никогда не подсоединяйтесь к системе до тех пор, пока она не будет правильно расположена, полностью собрана, отрегулирована и установлена. Не занимайтесь регулировкой системы в то время, когда пользователь подсоединен.
 - Подключайте подсистемы защиты от падения только к указанной точке крепления анкера на устройстве.
 - Перед сверлением или креплением убедитесь, что не произойдет контакта линий электропередачи, газопроводов или других важных встроенных систем со сверлом или устройством.
 - Убедитесь в том, что системы/подсистемы защиты от падения, собранные из компонентов, изготовленных разными производителями, совместимы друг с другом и соответствуют требованиям действующих стандартов, включая ANSI Z359 или другим действующим нормам, стандартам или требованиям к системам защиты от падения. Перед использованием данных систем всегда консультируйтесь с компетентным или квалифицированным специалистом.
 - (НАКЛОННАЯ ОПОРА СО ОГРАЖДАЮЩЕЙ КЛЕТЬЮ) Основание наклонной опоры предназначена только для использования с усовершенствованной моделью наклонной опоры 8548276. Запрещается использовать другие наклонные опоры этим основанием наклонной опоры.
 - (КОРЗИНА ВИЛОЧНОГО ПОГРУЗЧИКА) Не используйте корзину до тех пор, пока она не будет полностью установлена и закреплена на вилочном погрузчике в соответствии с инструкциями производителя корзины и вилочного погрузчика.
 - (ТРЕНОГИ) Убедитесь, что страховочный строп не выходит за пределы ног треноги.
 - (ТРЕНОГИ) Никогда не используйте треногу без цепей, которые не дают ножкам разъехаться, или используйте треногу в соответствии с Инструкциями по эксплуатации, прилагаемыми к треноге.
- **Что необходимо делать, чтобы снизить риски, связанные с работой на высоте, которые, если их не избежать, могут привести к серьезным травмам или летальному исходу:**
 - Убедитесь, что ваше здоровье и физическое состояние позволяет безопасно выдерживать всю нагрузку, связанную с работой на высоте. Проконсультируйтесь со своим врачом, если у вас есть какие-либо вопросы относительно вашей способности использовать данное оборудование.
 - Никогда не превышайте допустимую нагрузку своего оборудования для предотвращения падения.
 - Никогда не превышайте максимальное расстояние свободного падения своего оборудования для предотвращения падения.
 - Не используйте какое-либо оборудование для предотвращения падения, которое не прошло осмотр перед использованием или другие плановые проверки, или если у вас есть сомнения по поводу использования или пригодности этого оборудования для конкретного варианта применения. При наличии каких-либо вопросов, обращайтесь в службу технических услуг компании 3M.
 - Некоторые сочетания компонентов и подсистем могут препятствовать нормальной работе снаряжения. Используйте только совместимые соединения. Перед использованием этого оборудования вместе с компонентами или подсистемами, не описанными в данной инструкции пользователя, обращайтесь за консультацией в компанию 3M.
 - Соблюдайте дополнительные меры предосторожности при работе с движущимися механизмами (например, верхний силовой привод буровых вышек), при опасности поражения электрическим током, при экстремальных температурах, в присутствии опасных химических веществ, взрывчатых или токсичных газов, при острых крошках или при выполнении работ под материалами, расположенными над головой, которые могут упасть на вас или на ваше оборудование для предотвращения падения.
 - Использование оборудования, в котором применяется электрическая дуга, или оборудования для горячих работ при работе в условиях высоких температур.
 - Избегайте поверхностей и предметов, которые могут нанести вред пользователю или оборудованию.
 - Убедитесь в наличии достаточного безопасного расстояния опускания при работе на высоте.
 - Никогда не модифицируйте и не вносите изменения в свое оборудование для защиты от падения. Только компания 3M или организации, имеющие письменное разрешение от компании 3M, могут производить ремонт этого оборудования.
 - Перед использованием оборудования для защиты от падения, убедитесь в наличии плана спасения, который позволяет быстро организовать спасательные работы в случае падения.
 - Если происходит падение, то немедленно организуйте врачебную помощь упавшему работнику.
 - Для страховки от падения страховочные пояса использовать не следует. Используйте только страховочную привязь, охватывающую туловище.
 - Для снижения опасности падения с размахом работайте непосредственно под точкой крепления или как можно ближе к ней.
 - Если это устройство используется с целью обучения, то необходимо использовать вторичную систему защиты от падения таким образом, чтобы не подвергать стажера непредусмотренной опасности падения.
 - Всегда носите соответствующие средства индивидуальной защиты при установке, эксплуатации или проверке данного устройства/данной системы.

Перед установкой и использованием данного оборудования запишите идентификационную информацию об изделии, указанную на идентификационной этикетке, в журнал проверки и обслуживания (2) на обратной стороне этого руководства.

ОПИСАНИЕ ИЗДЕЛИЯ.

На рис. 1 изображена наклонная опора БГ для входа в ограниченное пространство в сборе ЗМ™. Наклонная опора БГ для входа в ограниченное пространство в сборе используется для подъема или опускания людей в рабочее пространство и обеспечения анкерного крепления для страховки от падения или спасательных операций. Эта инструкция применяется к следующим элементам наклонной опоры БГ для входа в ограниченное пространство в сборе:

- (А) Наклонная опора БГ с коротким вылетом стрелы (деталь № 8000107), наклонная опора БГ с большим вылетом стрелы (деталь № 8000108).
- (В) Удлинитель мачты с четырьмя положениями регулировки длины.
- (С) Универсальный узел (деталь № 8000109).
- (D) Стрела с коротким вылетом (деталь № 8000110), (е) стрела с большим вылетом (деталь № 8000111).
- (F) Кронштейн для лебедки (деталь № 8000117) (входит в состав универсального узла для устанавливаемой сзади лебедки или СЗВ; дополнительный кронштейн крепления лебедки 8000117, необходимый для устанавливаемой спереди лебедки или СЗВ).

Наклонная опора БГ для входа в ограниченное пространство в сборе устанавливается в соответствующее основание ЗМ (поставляется отдельно). См. таблицу 1 — Технические условия.

Установка основания должна быть утверждена квалифицированным инженером в соответствии с местными нормами. См. инструкции по установке основания. Удлинитель мачты наклонной опоры БГ для входа в ограниченное пространство в сборе нельзя устанавливать друг на друга. На одном основании наклонной опоры можно использовать только один удлинитель мачты.

Таблица 1 – Технические характеристики

Характеристики системы			
Грузоподъемность:	Страховка от падения: EN795:2012 и CEN/TS 16415:2013, рассчитано на использование одним или двумя пользователями.		
	Спасательные работы: EN1496:2006, рассчитано на одного пользователя с общим весом не более 140 кг (310 фунтов), включая инструменты и оборудование на тросе во время работы.		
	Погрузочно-разгрузочные работы: 205 кг (450 фунтов) при использовании на любом переносном основании БГ ЗМ (3-составное основание, сцепное устройство грузового автомобиля или тележка с противовесом), и 340 кг (750 фунтов) при использовании на любом стационарном основании БГ ЗМ (с креплением на полу, на стене, на платформе или со стержневым креплением). Характеристики грузоподъемности при выполнении погрузочно-разгрузочных работ		
	Грузоподъемность при выполнении погрузочно-разгрузочных работ (кг, фунты)	Описание основания ЗМ	Номер детали основания ЗМ
	205 кг (450 фунтов)	3-составная основа с коротким вылетом стрелы	8000104
	205 кг (450 фунтов)	3-составная основа с большим вылетом стрелы	8000105
	205 кг (450 фунтов)	Основание для сцепного устройства грузового автомобиля	8000103
	205 кг (450 фунтов)	Основание для тележки с противовесом	8000106
	340 кг (750 фунтов)	Основание с креплением на полу	8000095 – оцинкованная сталь 8000096 – нержавеющая сталь
	340 кг (750 фунтов)	Основание с настенным креплением	8000101 – оцинкованная сталь 8000102 – нержавеющая сталь
340 кг (750 фунтов)	Основание с креплением на платформе	8000099 – оцинкованная сталь 8000100 – нержавеющая сталь	
340 кг (750 фунтов)	Основание со стержневым креплением	8000089 – оцинкованная сталь 8000090 – нержавеющая сталь	
340 кг (750 фунтов)	Основание со стержневым креплением с верхней пластиной	8000091 – оцинкованная сталь 8000092 – нержавеющая сталь	
Размеры:	Размеры элементов наклонной опоры БГ для входа в ограниченное пространство в сборе указаны на рис. 1.		
Масса изделия:	Вес элементов наклонной опоры БГ для входа в ограниченное пространство в сборе указаны на рис. 1.		

Таблица 1 – Технические характеристики

Характеристики системы			
Сертификация:	Сертификация наклонных опор БГ и удлинителей мачты при использовании на переносных или стационарных основаниях БГ		
	Переносные основания	EN795:2012 CEN/TS16415:2013	EN1496:2006
	3-компонентное основание (8000104, 8000105)	Сертифицировано (тип В)	Соответствует (класс В)
	Основание для сцепного устройства грузового автомобиля (8000103)	Сертифицировано (тип В)	Соответствует (класс В)
	Основание для тележки с противовесом (8000106)	Сертифицировано (тип В)	Соответствует (класс В)
	Стационарные основания		
	Основание с креплением на полу (8000095, 8000096)	Соответствует (тип А)	Соответствует (класс В)
	Основание с настенным креплением (8000101, 8000102)	Соответствует (тип А)	Соответствует (класс В)
	Основание с креплением на платформе (8000099, 8000100)	Соответствует (тип А)	Соответствует (класс В)
	Основание со стержневым креплением (8000089, 8000090)	Соответствует (тип А)	Соответствует (класс В)
	Основание со стержневым креплением с верхней пластиной (8000091, 8000092)	Соответствует (тип А)	Соответствует (класс В)

Характеристики материалов элементов наклонной опоры БГ для входа в ограниченное пространство в сборе приведены на рис. 2.

Обозначения на рис. 2	Элемент	Материалы
Ⓐ	Наклонная опора	Алюминий 6061-T6
Ⓑ	Стопорный штифт	Оцинкованная сталь
Ⓒ	Задний шкив наклонной опоры	Черный ацеталь
Ⓓ	Шкив наклонной опоры (2)	Делрин
Ⓔ	Нижний шкив наклонной опоры	Делрин
Ⓕ	U-образная скоба (2)	Нержавеющая сталь
Ⓖ	Удлинитель мачты	Алюминий 6061 и оцинкованная сталь
Ⓗ	Кронштейн для лебедки	Оцинкованная сталь

1.0 ПРИМЕНЕНИЕ ИЗДЕЛИЯ

- 1.1 НАЗНАЧЕНИЕ.** Наклонная опора БГ для входа в ограниченное пространство в сборе используется для подъема или опускания людей в рабочее пространство и обеспечения анкерного крепления для страховки от падения или проведения спасательных операций.
- 1.2 СТАНДАРТЫ.** Это наклонная опора БГ для входа в ограниченное пространство в сборе соответствует требованиям государственных или региональных стандартов, приведенных в таблице 1 и на обложке этой инструкции. При перепродаже оборудования за пределы страны его производства посредник должен предоставить данные инструкции на языке страны, в которой будет использоваться оборудование.
- 1.3 УСТАНОВКА И НАДЗОР.** Установка наклонной опоры БГ для входа в ограниченное пространство в сборе должна проводиться под надзором компетентного лица¹. Квалифицированное лицо² должно удостовериться в том, что установленная конструкция соответствует местным и государственным нормам. Квалифицированное лицо должно рекомендовать подходящие крепежные изделия и обеспечить соответствующее размещение наклонной опоры БГ для входа в ограниченное пространство в сборе. Эксплуатация наклонной опоры и средств защиты от падения с высоты должна осуществляться под надзором компетентного лица.
- 1.4 ОБУЧЕНИЕ.** К монтажу и эксплуатации данного оборудования допускаются лица, прошедшие соответствующее обучение. Данное руководство можно использовать как часть программы обучения персонала и/или в рамках местных нормативов. Лица, осуществляющие эксплуатацию и монтаж данного снаряжения, обязаны изучить настоящую инструкцию, пройти соответствующее обучение правилам эксплуатации данного снаряжения и ухода за ним и знать рабочие характеристики, пределы применения и последствия ненадлежащего использования данного снаряжения.
- 1.5 ПЛАН СПАСЕНИЯ.** Работодатель, использующий наклонную опору и подсоединенные средства защиты от падения с высоты, должен иметь план спасения и средства для проведения спасательных операций; кроме того, он должен сообщить об этом плане пользователям. Рекомендуется содержать на рабочей площадке подготовленную спасательную команду. Спасательная команда должна обладать всеми необходимыми навыками и оборудованием для успешного проведения спасательных работ. Для поддержания должной квалификации спасателей следует регулярно проводить учебные мероприятия.
- 1.6 ПЕРИОДИЧНОСТЬ ПРОВЕРКИ.** Пользователь обязан осмотреть наклонную опору БГ для входа в ограниченное пространство в сборе непосредственно перед использованием. Кроме этого, другое компетентное лицо обязано проводить проверку системы не реже одного раза в год.³ Порядок проверки изложен в «Журнале проверки и обслуживания». Результаты проверки снаряжения компетентным лицом заносятся в «Журнал проверки и обслуживания».

2.0 ТРЕБОВАНИЯ К СИСТЕМЕ

- 2.1 СОВМЕСТИМОСТЬ КОМПОНЕНТОВ.** Оборудование ЗМ предназначено только для использования с компонентами и вспомогательными системами, утвержденными компанией ЗМ. Замены с использованием непроверенных компонентов или подсистем могут подвергать риску совместимость оборудования и влиять на безопасность и надежность системы в целом.
- 2.2 ИНДИВИДУАЛЬНАЯ СИСТЕМА СТРАХОВКИ ОТ ПАДЕНИЯ.** Индивидуальные системы страховки от падения (ИСС), используемые вместе с этой системой, должны отвечать действующим нормам, стандартам или требованиям к системам защиты от падения с высоты. В ИСС необходимо использовать страховочную привязь со следующими предельными значениями усилия торможения:

	Максимальное усилие торможения	Свободное падение
ИСС с амортизирующим стропом	6 кН (1350 фунтов)	Предельные значения для свободного падения указаны в инструкциях, прилагаемых к вашему стропу или СЗВТ.
ИСС со средством защиты втягивающего типа (СЗВТ)	6 кН (1350 фунтов)	

1 Компетентное лицо — лицо, способное определить существующие или прогнозируемые риски в среде или рабочих условиях, не соответствующих санитарным нормам или представляющих опасность для рабочих, и обладающее полномочиями для принятия быстрых корректирующих мер по устранению этих рисков.

2 Квалифицированное лицо — сотрудник, имеющей признанную квалификацию или профессиональный диплом, а также обширный опыт в сфере защиты от падения. Такой сотрудник должен уметь конструировать, проводить анализ и оценку, а также определять технические характеристики систем защиты от падения.

3 Периодичность проверки — При экстремальных условиях эксплуатации (суровые климатические условия, длительное использование и т. п.) могут потребоваться более частые проведения проверок компетентным лицом.

3.0 УСТАНОВКА

3.1 ПЛАНИРОВАНИЕ. Планируйте свою систему защиты от падения с высоты до установки наклонной опоры БГ для входа в ограниченное пространство в сборе. Учитывайте факторы, которые могут влиять на безопасность до падения, во время падения и после падения.

- Планируйте всю рабочую программу до начала работ. Обеспечьте наличие людей, оборудования и процедур, необходимых для выполнения работ.
- Всегда работайте группами. Один работник поднимается или опускается, а другой вытравливает трос и сматывает его.
- Надевайте соответствующие средства защиты, например: каску, защитные очки, безопасную обувь с нескользящей подошвой, плотные перчатки, защитную одежду и маску для защиты лица.
- Удлинитель мачты наклонной опоры БГ для входа в ограниченное пространство в сборе нельзя устанавливать друг на друга. На одном основании наклонной опоры можно использовать только один удлинитель мачты.
- Все устанавливаемые части лебедки, СЗВТ и крепежные изделия должны быть поставлены или утверждены компанией 3M Fall Protection.
- Перед использованием безопасно закрепите лебедку.
- Пользователи системы должны использовать утвержденную страховочную привязь.
- Используйте только стягивающиеся страховочные системы или амортизаторы с максимальным усилием торможения, рассчитанным на элемент вашей системы с наименьшим классом.
- Стягивающиеся устройства или амортизаторы следует устанавливать и использовать в соответствии с инструкциями изготовителя.
- Модульные элементы снабжены маркировкой грузоподъемности и номинальных значений, на которые они рассчитаны, испытаны и изготовлены. Класс любой системы определяется элементом системы с наименьшим классом. Не используйте оборудование с поврежденными или нечитаемыми паспортными этикетками. Новые этикетки можно заказать у компании 3M Fall Protection.
- Наклонную опору БГ для входа в ограниченное пространство в сборе необходимо убрать с места проведения работ, если она больше не используется.

3.2 УСТАНОВКА НАКЛОННОЙ ОПОРЫ БГ ДЛЯ ВХОДА В ОГРАНИЧЕННОЕ ПРОСТРАНСТВО В СБОРЕ:

1. (Рис. 3) Вставьте удлинитель мачты наклонной опоры БГ для входа в ограниченное пространство в сборе в установленное основание наклонной опоры БГ 3М. (Описание основания 3М см. в таблице 1.) Чтобы прикрепить основание наклонной опоры к анкерной конструкции, следуйте инструкциям по установке основания наклонной опоры.
2. Прикрепите узел головки наклонной опоры к универсальному узлу:
 - а. (Рис. 4а) вставьте косынку трубы головки наклонной опоры (А) в сварную вставку универсального узла (В). С помощью стопорного штифта (С) зафиксируйте косынку трубы в сварной вставке.
 - б. (Рис. 4б) С помощью сцепного штыря (D) закрепите трубу головки наклонной опоры между боковыми пластинами (Е) универсального узла. Зафиксируйте сцепной штырь с помощью штифта с кольцом, прикрепленного с противоположной стороны универсального узла.
3. (Рис. 5) Установите наклонную опору в сборе/универсальный узел на удлинитель мачты. Нижний край трубы наклонной опоры должен касаться выступа удлинителя мачты. Отцентрируйте метку внизу трубы наклонной опоры относительно винта, расположенного на выступе удлинителя мачты.
4. (Рис. 6) Величина выдвижения удлинителя наклонной опоры регулируется в четырех положениях удлинителя. Выньте стопорный штифт (А) и выдвиньте/задвиньте удлинитель наклонной опоры на нужную длину. Наклонная опора фиксируется в нужном положении стопорным штифтом (А). Вставьте стопорный штифт до упора.
5. (Рис. 7) Угол наклонной опоры регулируется в трех положениях. Выньте стопорный штифт (С) и задвиньте/выдвиньте косынку трубы (А) из сварной вставки (В). Косынку трубы необходимо зафиксировать стопорным штифтом (С). Вставьте стопорный штифт до упора.
6. (Рис. 8) Установите лебедку в соответствии с инструкциями производителя. Лебедка закрепляется с помощью специального кронштейна, входящего в комплект универсального узла. Трос лебедки обычно пропускают через задний шкив (А) на универсальном узле и верхний передний шкив (В) на наклонной опоре. Можно использовать другую и/или дополнительную конфигурацию с установкой в передней части. См. Раздел 3.3.

3.3 КРОНШТЕЙН КРЕПЛЕНИЯ ЛЕБЕДКИ 8000117:

1. (Рис. 9) Дополнительную переднюю лебедку или СЗВТ можно прикрепить к удлинителю мачты наклонной опоры БГ для входа в ограниченное пространство в сборе с помощью второго кронштейна лебедки 8000117 (приобретается отдельно). Закрепите кронштейн лебедки (А) на удлинителе мачты с помощью двух стопорных штифтов (В) кронштейна лебедки. Трос лебедки или СЗВТ проходит через передний шкив (С) на универсальном узле и нижний передний шкив (D) на наклонной опоре.

3.4 ТОЧКИ КРЕПЛЕНИЯ U-ОБРАЗНОЙ СКОБЫ:

(Рис. 10) Две точки крепления U-образной скобы (А и В) можно использовать для страховки от падения, проведения спасательных операций или погрузочно-разгрузочных работ. При использовании точки крепления U-образной скобы А не превышайте горизонтальное расстояние от основания наклонной опоры, равное 38 см (15 дюймов).

4.0 ЭКСПЛУАТАЦИЯ

4.1 ПЕРЕД КАЖДЫМ ИСПОЛЬЗОВАНИЕМ УБЕДИТЕСЬ, что ваше рабочее место и индивидуальная страховочная система (ИСС) отвечают всем критериям, указанным в разделе 2 и в действующем официальном плане спасения. Проверьте наклонную опору БГ для входа в ограниченное пространство в сборе в соответствии с точками проверки «Пользователем», которые определены в «Журнале проверки и обслуживания» в настоящем руководстве. Не используйте систему, если при осмотре обнаружено ее небезопасное или дефектное состояние. Выведите систему из эксплуатации и обратитесь в компанию ЗМ по поводу замены или ремонта.

5.0 ПРОВЕРКА

5.1 ПЕРИОДИЧНОСТЬ ПРОВЕРКИ. Периодичность проверки наклонной опоры БГ для входа в ограниченное пространство в сборе указана в разделе 1. Порядок проверки изложен в «Журнале проверки и обслуживания». Периодичность и порядок проверки всех остальных элементов системы защиты от падения с высоты регламентируется инструкциями изготовителей этих элементов.

5.2 ДЕФЕКТЫ. Если в ходе проверки выявлено опасное или неисправное состояние, необходимо немедленно вывести наклонную опору БГ для входа в ограниченное пространство в сборе из эксплуатации и обратиться в компанию ЗМ по поводу замены или ремонта. Не пытайтесь отремонтировать систему предотвращения падений самостоятельно.

Только санкционированный ремонт. Ремонт этого оборудования могут осуществлять только компания ЗМ или организации, имеющие письменное разрешение.

5.3 СРОК СЛУЖБЫ. Срок службы наклонной опоры БГ для входа в ограниченное пространство в сборе определяется условиями работы и качеством технического обслуживания. Изделия могут находиться в эксплуатации до тех пор, пока они соответствуют требованиям контроля.

6.0 ТЕХНИЧЕСКОЕ ОБСЛУЖИВАНИЕ, РЕМОНТ И ХРАНЕНИЕ

6.1 ОЧИСТКА. Металлические элементы наклонной опоры БГ для входа в ограниченное пространство в сборе следует периодически очищать при помощи щетки с мягкой щетиной, теплой воды и слабого мыльного раствора. Затем все элементы следует ополоснуть чистой водой.

6.2 РЕМОНТ. Ремонт этого оборудования могут осуществлять только компания ЗМ или организации, имеющие письменное разрешение от ЗМ. Следует изъять из эксплуатации наклонную опору БГ для входа в ограниченное пространство в сборе, подвергнушуюся воздействию сил, возникающих в процессе прекращения падения, а также при выявлении дефектов либо признания его небезопасным, и обратиться в компанию ЗМ по вопросу замены или ремонта.

6.3 ХРАНЕНИЕ И ТРАНСПОРТИРОВКА. Неиспользуемую наклонную опору БГ для входа в ограниченное пространство в сборе и соответствующие средства защиты от падения с высоты следует хранить и транспортировать в прохладных, сухих и чистых условиях, обеспечивающих защиту от прямых солнечных лучей. Избегайте помещений, в атмосфере которых могут присутствовать пары химических веществ. Компоненты, находившиеся на длительном хранении, подлежат тщательной проверке.

7.0 ЭТИКЕТКИ

На рис. 11 изображены этикетки наклонной опоры БГ для входа в ограниченное пространство в сборе. Этикетки необходимо заменить, если текст на них не совсем разборчивый.

VARNOSTNE INFORMACIJE

Preden uporabite to napravo za vhod v utesnjene prostore/reševanje iz utesnjenih prostorov (Confined Space Entry/Rescue Device), prosimo, da preberete, razumete prebrano in upoštevate vse varnostne informacije, ki jih vsebuje ta priročnik. NEUPOŠTEVANJE LAHKO POVZROČI HUDE TELESNE POŠKODBE ALI SMRT.

Navodila je treba posredovati uporabniku opreme. Te informacije vedno hranite na priročnem mestu.

Predvidena uporaba:

Ta naprava za vhod v utesnjene prostore/reševanje iz utesnjenih prostorov je namenjena za uporabo kot sestavni del celotnega sistema za zaščito pri padcu in reševanje oseb.

Podjetje 3M ne odobrava uporabe za katere koli druge namene, kar med ostalimi vključuje neodobreno prenašanje materialov, rekreativne ali športne dejavnosti oziroma druge dejavnosti, ki niso opisane v Navodilih za uporabnike ali Navodilih za namestitvev – neupoštevanje navedene predvidene uporabe lahko povzroči hude telesne poškodbe ali smrt!

To napravo sme uporabljati samo usposobljen uporabnik pri izvajanju del na delovnem mestu.

OPOZORILO

Ta naprava za vhod v utesnjene prostore/reševanje iz utesnjenih prostorov je del sistema za zaščito pri padcu in reševanje oseb. Pričakuje se, da so vsi uporabniki podrobno seznanjeni in usposobljeni za varno namestitvev in delovanje celotnega sistema. **Nepravilna uporaba te naprave lahko povzroči hude telesne poškodbe ali smrt.** Za pravilno izbiro, delovanje, namestitvev, vzdrževanje in servisiranje glejte ta Navodila za uporabo izdelka in vsa priporočila proizvajalca, se posvetujte z nadrejenim ali se obrnite na Tehnične storitve podjetja 3M.

- **Da bi se izognili povzročitvi hude telesne poškodbe ali smrti pri delu z napravo za vhod v utesnjene prostore/reševanje iz utesnjenih prostorov, morate upoštevati pravila za zmanjševanje tveganj, ki zahtevajo naslednje:**
 - Napravo pregledajte pred vsako uporabo, najmanj pa enkrat letno in po vsakem dogodku, ki je sprožil delovanje naprave za preprečitev padca. Pri pregledu naprave vedno sledite Navodilom za uporabnike.
 - Če pri pregledu stanja naprave ugotovijo, da ni varna ali da je pomanjkljiva, jo umaknite iz uporabe in jo popravite ali zamenjajte, odvisno od zahtev v Navodilih za uporabnike.
 - Vsako napravo, ki je bila podvržena sili ob zadrževanju padca ali udarni sili, je treba nemudoma izločiti iz uporabe in uničiti. Glejte Navodila za uporabnike ali se obrnite na podjetje 3M Fall Protection.
 - Napravo je treba namestiti natanko tako, kot je podrobneje opisano v Navodilih za namestitvev ali Navodilih za uporabnike. Za namestitvev in načine uporabe, ki niso navedeni v navodilih, morate pridobiti pisno odobritev podjetja 3M Fall Protection.
 - Podlaga ali konstrukcija, na katero je naprava pritrjena, imeti mora zadostno trdnost, da zdrži statične obremenitve, ki so za dovoljene usmeritve pritrilnih trakov/vrvi navedene v Navodilih za uporabnike ali Navodilih za namestitvev v oddelku za specifikacije naprave.
 - Ne smete preseči števila dopustnih uporabnikov.
 - Nikoli ne smete delati pod visečim tvorom ali delavcem pri delu na višini.
 - Bodite previdni pri nameščanju, uporabi ali premikanju delov naprave, ker vas drseči deli naprave lahko stisnejo. Glejte Navodila za uporabnike.
 - Zagotovite pravilno uporabo opreme za začasno zaustavitev naprave (npr. ločilno stikalo)/opreme za označitev, da ne smete vklopiti napajanja, ker se izvaja pregled ali servisiranje naprave (oznaka se postavi na opremo za izklop energetskega napajanja za napravo), pri tem pa morate slediti ustreznim postopkom.
 - Uporabnik ne sme nikoli uporabljati sistema, ki ni postavljen v ustrezen položaj, v celoti sestavljen, nastavljen za svoj namen in montiran. Ko je uporabnik pritrjen na sistem, ne smete spreminjati nastavitev sistema.
 - Podsysteme za zaščito pred padcem morate povezati izključno na označene sidrne priključne točke na napravi.
 - Pred vrtnjem ali pritrjevanjem zagotovite, da sveder ali naprava ne bosta prišla v stik z električnimi vodi, plinovodi ali drugimi nevarnimi vgrajenimi sistemi.
 - Za sisteme/podsisteme za zaščito pred padcem, ki so sestavljeni iz komponent različnih izdelovalcev, zagotovite, da so vse komponente med sabo združljive in da izpolnjujejo zahteve ustreznih standardov, vključno s standardom ANSI Z359 ali z drugimi ustreznimi predpisi, standardi ali zahtevami v zvezi z zaščito pred padcem. Pred uporabo teh sistemov se vedno posvetujte s pristojno ali kvalificirano osebo.
 - (DVIŽNA ROKA Z VAROVALNO OGRAJO) To podnožje dvižne roke se uporablja samo za izpopolnjeno dvižno roko 8548276. Tega podnožja ne smete uporabljati za druge različice dvižne roke.
 - (OGRAJENA DVIŽNA PLOŠČA VILIČARJA) Ograjene dvižne plošče ne smete uporabljati, dokler ni v celoti montirana in varno pritrjena na viličar po navodilih proizvajalca ograjene dvižne plošče in viličarja.
 - (TRINOŽNIKI) Zagotovite, da reševalna vrv ne sega izven prostora, ki ga omejujejo noge trinožnika. Trinožnik se lahko prekucne.
 - (TRINOŽNIKI) Trinožnika nikoli ne smete uporabljati, če varnostnih verig za noge niste pritrili na varen način, ali kot je navedeno v priročniku z Navodili za uporabnike, ki je dobavljen skupaj s trinožnikom.
- **Da bi se izognili povzročitvi hude telesne poškodbe ali smrti pri delu na višini, morate upoštevati pravila za zmanjševanje tveganj, ki zahtevajo naslednje:**
 - Zagotovite, da vam zdravje in fizična pripravljenost dovoljujeta, da varno delate in zdržite vse sile, ki ste jim izpostavljeni pri delu na višini. Če ste v dvomih glede svoje sposobnosti, da uporabljate to opremo, se posvetujte s svojim zdravnikom.
 - Nikoli ne smete preseči dopustne nosilnosti svoje opreme za zaščito pred padcem.
 - Nikoli ne smete preseči maksimalne razdalje prostega padca, ki je določena za vašo opremo za zaščito pred padcem.
 - Ne smete uporabiti opreme, za katero je bilo pri strokovnem pregledu pred uporabo ali pri drugem pregledu v okviru načrtovanih vzdrževalnih del ugotovljeno, da ne izpolnjuje pogojev za varno delo, ali če menite, da vaša oprema ne ustreza pogojem vašega delovnega mesta. Za vsa vprašanja se obrnite na Tehnične storitve podjetja 3M.
 - Kombinacije nekaterih podsistemov in sestavnih delov lahko ovirajo delovanje opreme. Uporabljajte samo združljive priključke. Pred uporabo opreme v kombinaciji s sestavnimi deli ali podsistemi, ki niso opisani v Navodilih za uporabnike, se posvetujte s podjetjem 3M.
 - Upoštevajte dodatne varnostne ukrepe, ko delate v bližini strojev za zemeljska dela (npr. zgornji pogon oljne ploščadi), visokonapetostnih električnih vodnikov, visoke temperature, nevarnih kemikalij, eksplozivnih ali strupenih plinov, ostrih robov, ali na deloviščih, na katerih se izvajajo dela na višini z materiali, ki lahko padejo na vas ali vašo opremo za zaščito pred padcem.
 - Ko delate v okoljih z visoko toploto, uporabljajte naprave za zaščito pred prebojnim vžigom ali naprave za zaščito pri varjenju, rezanju ali odprtem plamenu.
 - Izogibajte se površinam in predmetom, ki lahko poškodujejo uporabnika ali opremo.
 - Pri delu na višini zagotovite ustrezen prazen prostor na poti padca.
 - Svoje opreme za zaščito pred padcem nikoli ne smete spreminjati ali predelati. Popravila te opreme lahko izvaja samo podjetje 3M ali oseba, ki je od podjetja 3M pridobila pisno pooblastilo.
 - Pred uporabo opreme za zaščito pred padcem preverite, ali je izdelan načrt reševanja pri morebitnem padcu, ki zagotavlja takojšnje reševanje, če se zgodi nesreča.
 - Če se zgodi nesreča s padcem, nemudoma poiščite zdravniško pomoč za ponesrečenega delavca.
 - Za zaustavitev padca ne smete uporabiti jermena, nameščenega samo okrog pasu. Uporabljajte samo varovalno-pozicijski pas za celotno telo.
 - Nevarnost padcev z nihanjem lahko zmanjšate tako, da delate neposredno pod sidrno točko.
 - Ko uporabljate to napravo pri usposabljanju delavca, morate uporabiti sekundarno zaščito pred padcem na način, ki delavca, ki se še uči, ne bo izpostavljal nevarnosti neželenega padca.
 - Vedno si nadenite osebno zaščitno opremo, ko nameščate, uporabljate, ali pregledujete napravo/sistem.

Pred namestitvijo in uporabo te opreme si z ID-nalepke v dnevnik za preglede in vzdrževanje (2), ki je na koncu tega priložnika, prepisite identifikacijske podatke izdelka.

OPIS IZDELKA:

Slika 1 prikazuje sklop dvizhne roke visoke nosilnosti (HC) za utesnjene prostore 3M™. Sklop dvizhne roke HC za utesnjene prostore se uporablja za dviganje ali spuščanje delavca na delovni prostor in zagotavlja sidriščno točko za ustavljanje padca ali reševanje. To navodilo velja za naslednje sestavne dele sklopa dvizhne roke HC za utesnjene prostore:

- (A) Številka dela dvizhne roke HC za kratek doseg 8000107, številka dela dvizhne roke HC za dolg doseg 8000108.
- (B) Štiri razpoložljive dolžine podaljška droga.
- (C) Številka dela univerzalnega sklopa 8000109.
- (D) Številka dela roke z odmikom za kratek doseg 8000110, (e) številka dela roke z odmikom za dolg doseg 8000111.
- (F) Številka dela nosilca vitla 8000117 (priložen univerzalnemu sklopu za vitel ali SRL na zadnji strani; dodaten nosilec vitla 8000117, potreben za vitel ali SRL na sprednji strani).

Drog sklopa dvizhne roke HC za utesnjene prostore je nameščen v ustreznem podnožju 3M, ki je na voljo ločeno. Glejte preglednico 1 – Specifikacije.

Namestitev podnožja mora odobriti kvalificiran inženir skladno z lokalnimi predpisi. Glejte navodila za namestitev podnožja. Podaljškov droga sklopa dvizhne roke HC za utesnjene prostore se ne sme nalagati. Uporabi se lahko največ en podaljšek droga na eno podnožje dvizhne roke.

Preglednica 1 – Specifikacije

Specifikacije sistema:			
Nosilnost:	Zaustavitev padca: EN795:2012 in CEN/TS 16415:2013 za enega ali dva uporabnika. Reševanje: EN1496:2006 za enega uporabnika z največjo skupno težo 140 kg, vključno z orodjem in opremo, na pletenici med delovanjem. Ravnanje z materiali: 205 kg pri uporabi na katerem koli prenosnem podnožju HC družbe 3M (3-delno, za vlečno kljuko tovornjaka ali protiutežni voziček) in nosilnost 340 kg pri uporabi na katerem koli trajnem podnožju HC družbe 3M (talna montaža, stenska montaža, montaža na vodoravno ploščo ali montaža pod površino tal brez pritrdilnih elementov). Glejte spodnje specifikacije glede Nosilnosti pri ravnanju z materiali:		
	Nosilnost pri ravnanju z materiali (kg, funti)	Opis podnožja 3M	Številka dela podnožja 3M
	205 kg (450 funtov)	3-delno podnožje za kratek doseg	8000104
	205 kg (450 funtov)	3-delno podnožje za dolg doseg	8000105
	205 kg (450 funtov)	Podnožje za vlečno kljuko tovornjaka	8000103
	205 kg (450 funtov)	Podnožje za protiutežni voziček	8000106
	340 kg (750 funtov)	Podnožje za talno montažo	8000095 – Pocinkano 8000096 – Nerjaveče
	340 kg (750 funtov)	Podnožje za stensko montažo	8000101 – Pocinkano 8000102 – Nerjaveče
	340 kg (750 funtov)	Podnožje za montažo na vodoravno ploščo	8000099 – Pocinkano 8000100 – Nerjaveče
	340 kg (750 funtov)	Podnožje za montažo pod površino tal brez pritrdilnih elementov	8000089 – Pocinkano 8000090 – Nerjaveče
	340 kg (750 funtov)	Podnožje za montažo pod površino tal brez pritrdilnih elementov, z zgornjo ploščo	8000091 – Pocinkano 8000092 – Nerjaveče
Mere:	Za mere sestavnih delov sklopa dvizhne roke HC za utesnjene prostore glejte sliko 1.		
Teža izdelka:	Za težo sestavnih delov sklopa dvizhne roke HC za utesnjene prostore glejte sliko 1.		
Certifikat:	Certifikati podaljškov droga HC in dvizhnih rok HC pri uporabi s prenosnimi ali trajnimi podnožji HC		
	Prenosna podnožja	EN795:2012 CEN/TS16415:2013	EN1496:2006
	3-delno podnožje (8000104, 8000105)	Certificirano (tip B)	Ustreza (razred B)
	Podnožje za vlečno kljuko tovornjaka (8000103)	Certificirano (tip B)	Ustreza (razred B)
	Podnožje za protiutežni voziček (8000106)	Certificirano (tip B)	Ustreza (razred B)
	Trajna podnožja		
	Podnožje za talno montažo (8000095, 8000096)	Ustreza (tip A)	Ustreza (razred B)
	Podnožje za stensko montažo (8000101, 8000102)	Ustreza (tip A)	Ustreza (razred B)
	Podnožje za montažo na vodoravno ploščo (8000099, 8000100)	Ustreza (tip A)	Ustreza (razred B)
	Podnožje za montažo pod površino tal brez pritrdilnih elementov (8000089, 8000090)	Ustreza (tip A)	Ustreza (razred B)
	Podnožje za montažo pod površino tal brez pritrdilnih elementov, z zgornjo ploščo (8000091, 8000092)	Ustreza (tip A)	Ustreza (razred B)

Preglednica 1 – Specifikacije

Specifikacije materialov sestavnih delov sklopa dvizhne roke HC za utesnjene prostore na sliki 2.		
Slika 2 Referenca	Sestavni del	Materiali
Ⓐ	Dvizhna roka	Aluminij 6061-T6
Ⓑ	Zadrževalni zatič	Pocinkano jeklo
Ⓒ	Zadnji škripec dvizhne roke	Črn acetal
Ⓓ	Škripec dvizhne roke (2)	Delrin
Ⓔ	Spodnji škripec dvizhne roke	Delrin
Ⓕ	U-nosilec (2)	Nerjaveče jeklo
Ⓖ	Podaljšek droga dvizhne roke	Aluminij 6061 in pocinkano jeklo
Ⓗ	Nosilec vitla	Pocinkano jeklo

1.0 UPORABA IZDELKA

- 1.1 NAMEN:** Sklop dvizhne roke HC za utesnjene prostore se uporablja za dviganje ali spuščanje delavca na delovni prostor in zagotavlja sidriščno točko za ustavljanje padca ali reševanje.
- 1.2 STANDARDI:** Ta sklop dvizhne roke HC za utesnjene prostore je v skladu z državnimi ali regijskimi standardi, ki so navedeni na prvi strani in v preglednici 1 teh navodil. Pri nadaljnji prodaji tega izdelka zunaj prvotne namembne države mora preprodajalec zagotoviti ta navodila v jeziku države, v kateri se bo izdelek uporabljal.
- 1.3 MONTAŽA IN NADZOR:** Montažo sklopa dvizhne roke HC za utesnjene prostore mora nadzorovati pristojna oseba¹. Kvalificirana oseba² mora preveriti, ali montaža konstrukcije izpolnjuje lokalne in zvezne/državne predpise. Kvalificirana oseba mora priporočiti ustrezne pritrdilne elemente in pravilno postavitve sklopa dvizhne roke HC za utesnjene prostore. Pristojna oseba mora opravljati nadzor nad potekom uporabe dvizhne roke in pritrjene opreme za zaščito pred padcem.
- 1.4 USPOSABLJANJE:** To opremo morajo namestiti in jo lahko uporabljajo samo osebe, ki so usposobljene za pravilno namestitve in uporabo opreme. Ta priročnik se lahko uporabi kot sestavni del programa za usposabljanje zaposlenih in/ali regijskih predpisov. Uporabniki in monterji te opreme so odgovorni za seznanitev s temi navodili in za ustrezno usposabljanje, ki jim zagotavlja pravilno skrb za to opremo in njeno pravilno uporabo; poleg tega so odgovorni za seznanitev z delovnimi značilnostmi, omejitvami uporabe in posledicami nepravilne uporabe te opreme.
- 1.5 NAČRT REŠEVANJA:** Pri uporabi dvizhne roke in s tem povezane opreme za zaščito pred padcem mora imeti delodajalec pripravljen načrt reševanja in pripravljena, hitro dostopna sredstva za izvajanje tega načrta ter njegovo posredovanje uporabnikom. Priporoča se zagotavljanje usposobljene reševalne ekipe na kraju izvajanja del. Članom reševalne ekipe je treba zagotoviti opremo in tehnike za izvedbo uspešnega reševanja. Usposabljanje je treba izvajati periodično za zagotavljanje strokovnosti in spretnosti pri reševanju.
- 1.6 POGOSTOST PREGLEDOV:** Uporabnik mora sklop dvizhne roke HC za utesnjene prostore pregledati pred vsako uporabo; poleg tega mora pristojna oseba, ki ni uporabnik, v intervalih, ki ne smejo biti daljši od enega leta, opraviti dodatni pregled.³ Postopki pregledov so opisani v »Dnevniku pregledov in vzdrževanja«. Rezultati vsakega pregleda, ki ga opravi pristojna oseba, morajo biti vpisani v kopijah »Dnevnika pregledov in vzdrževanja«.

2.0 SISTEMSKÉ ZAHTEVE

- 2.1 ZDRUŽLJIVOST SESTAVNIH DELOV:** Oprema znamke 3M je namenjena samo za uporabo z drugimi odobrenimi deli in podsistemi znamke 3M. Nadomeščanje ali zamenjava komponent z neodobrenimi komponentami ali podsistemi lahko ogrozi združljivost opreme in lahko vpliva na varnost in zanesljivost celotnega sistema.
- 2.2 SISTEM ZA ZAUSTAVITEV PADCA OSEB:** Sistemi za zaustavitev padca oseb (PFAS), uporabljeni s sistemom, morajo izpolnjevati veljavne standarde, predpise in zahteve za zagotavljanje zaščite pred padcem. Sistemi za zaustavitev padca oseb (PFAS) morajo vključevati varovalno-pozicijski pas za celotno telo in omejiti silo ustavljanja na naslednje vrednosti:

	Največja sila ustavljanja	Prosti padec
Sistem za zaustavitev padca oseb (PFAS) z vrvjo za blaženje sunkov	6 kN (1350 funtov)	Za omejitve prostega padca glejte navodila, priložena vaši vrvji z zaključno zanko ali samopovratni varovalni napravi (SRD).
Sistem za zaustavitev padca oseb (PFAS) s samopovratno varovalno napravo (SRD)	6 kN (1350 funtov)	

- 1 Pristojna oseba:** Oseba, ki je sposobna prepoznati obstoječe in morebitne nevarnosti v okolju ali delovnih pogojih, ki so nehygienične, življenjsko nevarne ali tvegane za zaposlene, in ki je pooblaščen, da nemudoma ukrepa s korektivnimi ukrepi za odpravljanje prepoznanih nevarnosti.
- 2 Kvalificirana oseba:** Posameznik, ki ima priznano stopnjo izobrazbe ali poklicno spričevalo in veliko izkušenj na področju zaščite pred padcem. Ta posameznik mora biti sposoben načrtovati, analizirati, ocenjevati in izdelovati specifikacije na področju zaščite pred padcem.
- 3 Pogostost pregledov:** Ekstremni delovni pogoji (težke klimatske razmere, daljša uporaba varovalne opreme ipd.) bodo morda zahtevali pogostejše preglede (krajše časovne presledke med pregledi), ki jih opravijo pristojne osebe.

3.0 NAMESTITEV

3.1 NAČRTOVANJE: Načrtujte sistem za zaščito pred padcem še pred namestitvijo sklopa dvizhne roke HC za utesnjene prostore. Upoštevajte vse dejavnike, ki bi lahko vplivali na vašo varnost pred padcem, med njim in po njem.

- Pred pričetkom dela naredite načrt dela. Ljudje, oprema in postopki, ki jih potrebujete za delo, naj bodo na voljo.
- Vedno delajte v skupinah. Ena oseba se spušča ali dviga, druga pa podaja vrv ali jo navija.
- Nosite ustrezno zaščitno opremo, kot so čelada, zaščitna očala, zaščitni čevlji z neдрсеčim podplatom, delovne rokavice, zaščitno obleko in zaščito za obraz.
- Podaljškov droga sklopa dvizhne roke HC za utesnjene prostore se ne sme nalagati. Uporabi se lahko največ en podaljšek droga na eno podnožje dvizhne roke.
- Vsi pritrdilni deli vitlov in SRL-jev ter deli dodatne opreme morajo biti dobavljeni ali odobreni s strani družbe 3M Fall Protection.
- Pred uporabo varno pritrdite vitel.
- Uporabniki sistema morajo uporabljati odobren varovalno-pozicijski pas za celotno telo.
- Uporabljajte samo naprave, ki jih je mogoče uvleči, ali amortizerje, pri katerih je največja zaustavitvena sila enaka ali nižja od sestavnega dela sistema z najnižjo kapaciteto.
- Naprave za uvlačenje ali amortizerji morajo biti nameščeni in uporabljeni skladno z navodili proizvajalca.
- Modularne komponente so označene s kapacitetami in nazivno obremenitvijo, za katero so bile zasnovane, testirane in proizvedene. Nazivna obremenitev katerega koli sistema je enaka nazivni obremenitvi najšibkejše komponente sistema. Opreme ne uporabljajte, če so oznake z nazivno obremenitvijo poškodovane ali nečitljive. Nove nalepke so na voljo pri družbi 3M Fall Protection.
- Sklop dvizhne roke HC za utesnjene prostore je treba odstraniti z delovnega mesta, ko ni več potreben.

3.2 NAMESTITE SKLOP DVIŽNE ROKE HC ZA UTESNJENE PROSTORE:

1. (Slika 3) Vstavite podaljšek droga sklopa dvizhne roke HC za utesnjene prostore v nameščeno podnožje dvizhne roke HC družbe 3M. (Glejte preglednico 1 za opise podnožja 3M.) Upoštevajte navodila za namestitev podnožja dvizhne roke za pritrditev podnožja dvizhne roke na konstrukcijo za sidranje.
2. Pritrdite sklop glave dvizhne roke na univerzalni sklop:
 - a. (Slika 4a) Vstavite podporno cev glave dvizhne roke (A) v varjeni sestav podpornika univerzalnega sklopa (B). Z zadrževalnim zatičem (C) zavarujte podporno cev v varjenem sestavu podpornika.
 - b. (Slika 4b) S pritrdilnim zatičem (D) pritrdite cev glave dvizhne roke med stranskimi ploščami (E) univerzalnega sklopa. Zavarujte pritrdilni zatič z osnikom, ki je povezan z nasprotno stranjo univerzalnega sklopa.
3. (Slika 5) Namestite sestavljeno dvizhno roko/univerzalni sklop na podaljšek droga. Spodnji rob cevi dvizhne roke se mora dotikati najvišjega roba podaljška droga. Nacentrirajte zarezo na dnu cevi dvizhne roke na vijak, ki se nahaja na najvišjem robu podaljška droga.
4. (Slika 6) Dolžina podaljška dvizhne roke se lahko nastavi v enega od štirih položajev. Odstranite zadrževalni zatič (A) in potisnite podaljšek dvizhne roke ven ali noter, da dosežete zeleno dolžino. Dvizhno roko je treba zavarovati v tem položaju podaljška z zadrževalnim zatičem (A). Vstavite zadrževalni zatič do konca.
5. (Slika 7) Kot dvizhne roke se lahko nastavi v enega od treh položajev. Odstranite zadrževalni zatič (C) in potisnite podporno cev (A) v varjeni sestav podpornika (B) ali iz njega. Podporno cev je treba zavarovati z zadrževalnim zatičem (C). Vstavite zadrževalni zatič do konca.
6. (Slika 8) Namestite vitel skladno z navodili proizvajalca. Vitel je montiran z nosilcem vitla, ki je priložen univerzalnemu sklopu. Vrv vitla je običajno napeljana čez zadnji škripec (A) na univerzalnem sklopu in zgornji sprednji škripec (B) na dvizhni roki. Mogoča je nadomestna in/ali dodatna konfiguracija z namestitvijo na sprednji strani. Glejte razdelek 3.3.

3.3 NOSILEC VITLA 8000117:

1. (Slika 9) Vitel ali SRL, nameščen na sprednji strani, je mogoče dodati podaljšku droga dvizhne roke HC za utesnjene prostore, tako da se namesti še drugi nosilec vitla 8000117 (nabavljen ločeno). Pritrdite nosilec vitla (A) na podaljšek droga z dvema zadrževalnima zatičema nosilca vitla (B). Vrv vitla ali SRL uporablja sprednji škripec (C) na univerzalnem sklopu in spodnji sprednji škripec (D) na dvizhni roki.

3.4 PRITRDITVENE TOČKE U-NOSILCA:

(Slika 10) Pritrditveni točki U-nosilca (A in B) se lahko uporabita za ustavljanje padca, reševanje ali ravnanje z materialom. Pri uporabi pritrditvene točke U-nosilca ne smete prekoračiti vodoravne razdalje 38 cm od podnožja dvizhne roke.

4.0 UPORABA

4.1 PRED VSAKO UPORABO: Prepričajte se, da vaše delovno območje in sistem za zaustavitev padca oseb (PFAS) ustrezata vsem merilom, določenim v razdelku 2, in da je izdelan uraden načrt reševanja. Preglejte sklop dvizhne roke HC za utesnjene prostore skladno s kontrolnimi mesti »Uporabnika«, določenimi v »Dnevniku pregledov in vzdrževanja« v tem priročniku. Če se ob pregledu ugotovi, da sistem ni varen oziroma da je v okvari, ga ne uporabljajte. Izločite sistem iz uporabe in ga uničite oziroma stopite v stik z družbo 3M glede zamenjave ali popravila.

5.0 PREGLED

- 5.1 POGOSTOST PREGLEDOV:** Sklop dvizne roke HC za utesnjene prostore je treba pregledovati v rednih časovnih presledkih, ki so določeni v poglavju 1. Postopki pregledov so opisani v »Dnevniku pregledov in vzdrževanja«. Pregledujte vse sestavne dele sistema za zaščito pred padcem tako pogosto, kot je določeno v navodilih proizvajalca, in skladno s postopki, ki so določeni v njih.
- 5.2 POMANJKLJIVOSTI:** Če pri pregledu ugotovite, da sklop dvizne roke HC za utesnjene prostore ni varen ali da je pomanjkljiv, ga takoj izločite iz uporabe in stopite v stik z družbo 3M glede zamenjave ali popravila. Ne poskušajte popravljati sistema za zaustavitev padca.

Samo pooblaščen popravila: Popravila te opreme lahko opravlja samo podjetje 3M ali oseba, ki je pridobila pisno pooblastilo.

- 5.3 ŽIVLJENJSKA DOBA IZDELKA:** Funkcionalna doba sklopa dvizne roke HC za utesnjene prostore se določi s pogoji dela in vzdrževanjem. Dokler izdelek med pregledom izpolnjuje merila za uporabnost, ga lahko uporabljate.

6.0 VZDRŽEVANJE, SERVISIRANJE IN SKLADIŠČENJE

- 6.1 ČIŠČENJE:** Kovinske sestavne dele sklopa dvizne roke HC za utesnjene prostore redno čistite z mehko krtačo, toplo vodo in blago milnico. Poskrbite, da se deli temeljito sperejo s čisto vodo.
- 6.2 SERVIS:** Popravila te opreme lahko opravlja samo družba 3M ali oseba, ki je pridobila pisno pooblastilo družbe 3M. Če je bil sklop dvizne roke HC za utesnjene prostore izpostavljen silam ob zaustavitvi padca ali če ste pri pregledu ugotovili, da ni varen ali da je pomanjkljiv, izločite sistem iz uporabe in stopite v stik z družbo 3M glede zamenjave ali popravila.
- 6.3 SKLADIŠČENJE IN TRANSPORT:** Kadar sklop dvizne roke HC za utesnjene prostore in povezana oprema za zaščito pred padcem nista v uporabi, ju morate hraniti in prevažati na skladiščenje v hladnem, suhem in čistem okolju, stran od neposredne sončne svetlobe. Izogibajte se območjem, kjer obstaja verjetnost kemičnih hlapov. Po vsakem daljšem obdobju hrambe temeljito preglejte sestavne dele.

7.0 NALEPKE

Slika 11 prikazuje nalepke na sklopu dvizne roke HC za utesnjene prostore. Nečitljive nalepke morate zamenjati.

Preglednica 2 – Dnevnik pregledov in vzdrževanja

Datum pregleda:		Pregledal:	
Sestavni deli:	Pregled: (Glejte poglavje 5 za Pogostost pregledov)	Uporabnik	Pristojna oseba
Sklop dvizhne roke za utesnjene prostore (sliki 1 in 2)	Preglejte sklop dvizhne roke HC za utesnjene prostore glede razpok, udrtin ali deformacij.	<input type="checkbox"/>	<input type="checkbox"/>
	Preglejte celotno enoto glede korozije.	<input type="checkbox"/>	<input type="checkbox"/>
	Preglejte vse pritrdilne elemente, da se prepričate, da so zategnjeni. Po potrebi jih zategnite.	<input type="checkbox"/>	<input type="checkbox"/>
	Preglejte, da se prepričate, da so vsi zatiči do konca vstavljeni in da so pritrdilni zatiči dobro pritrjeni z osniki.	<input type="checkbox"/>	<input type="checkbox"/>
Nalepke (slika 11)	Prepričajte se, da so vse nalepke varno pritrjene in čitljive (glejte »Nalepke«)	<input type="checkbox"/>	<input type="checkbox"/>
PFAS in druga oprema	Dele dodatne opreme za sistem za zaustavitev padca oseb (PFAS) (jermenje za telo, samou vlečne rešilne vrvi (SRL) itd.), ki se uporabljajo z dvizhno roko, je treba namestiti in pregledati skladno z navodili proizvajalca.	<input type="checkbox"/>	<input type="checkbox"/>

Serijske številke:	Datum nakupa:
Številka modela:	Datum prve uporabe:

Popravljalni ukrep/vzdrževanje:	Odobril/-a:
	Datum:
Popravljalni ukrep/vzdrževanje:	Odobril/-a:
	Datum:
Popravljalni ukrep/vzdrževanje:	Odobril/-a:
	Datum:
Popravljalni ukrep/vzdrževanje:	Odobril/-a:
	Datum:
Popravljalni ukrep/vzdrževanje:	Odobril/-a:
	Datum:
Popravljalni ukrep/vzdrževanje:	Odobril/-a:
	Datum:
Popravljalni ukrep/vzdrževanje:	Odobril/-a:
	Datum:
Popravljalni ukrep/vzdrževanje:	Odobril/-a:
	Datum:
Popravljalni ukrep/vzdrževanje:	Odobril/-a:
	Datum:
Popravljalni ukrep/vzdrževanje:	Odobril/-a:
	Datum:
Popravljalni ukrep/vzdrževanje:	Odobril/-a:
	Datum:
Popravljalni ukrep/vzdrževanje:	Odobril/-a:
	Datum:
Popravljalni ukrep/vzdrževanje:	Odobril/-a:
	Datum:

SÄKERHETSINFORMATION

SV

Läs igenom, se till att du förstår och följ all säkerhetsinformation i denna bruksanvisning innan du använder denna enhet för ingång/räddning i trånga utrymmen. OM DETTA INTE GÖRS KAN DET LEDA TILL ALLVARLIGA SKADOR ELLER DÖDSFALL.

Dessa anvisningar måste tillhandahållas för den som ska använda denna utrustning. Spara dessa instruktioner för framtida referens.

Avsedd användning:

Denna enhet för ingång/räddning i trånga utrymmen är avsedd att användas som en del av ett komplett personligt fallskydds- eller räddningssystem.

Användning för andra syften, inklusive men ej begränsat till, icke godkända materialhanteringsapplikationer, fritids- och idrottsaktiviteter samt andra aktiviteter som inte beskrivs i bruksanvisningen eller installationsanvisningen, godkänns inte av 3M och kan leda till allvarlig personskada eller dödsfall.

Denna enhet ska endast användas av utbildade användare för professionellt bruk.

VARNING

Den här enheten för ingång/räddning i trånga utrymmen är en del av ett personligt fallskydds- eller räddningssystem. Alla användare förväntas vara fullständigt utbildade i säker installation och användning av hela systemet. **Felaktig användning av den här enheten kan resultera i allvarlig skada eller dödsfall.** För korrekt val, användning, installation, underhåll och service hänvisas till alla bruksanvisningar för produkten och alla rekommendationer från tillverkaren, din arbetsledare eller 3M:s tekniska kundtjänst.

- **För att minska riskerna i samband med arbete med en enhet för ingång/räddning i trånga utrymmen, som om de inte undviks, kan leda till allvarliga personskador eller dödsfall:**
 - Kontrollera enheten före varje användning, minst en gång per år och efter varje fallhändelse. Utför kontrollen enligt bruksanvisningen.
 - Om inspektion avslöjar ett osäkert eller defekt tillstånd ska du ta anordningen ur drift och reparera eller byta ut den i enlighet med bruksanvisningen.
 - Varje enhet som har utsatts för fallstopp eller fallkraft måste omedelbart tas ur bruk. Se bruksanvisningarna eller kontakta 3M Fall Protection.
 - Enheten får endast installeras på det sätt som beskrivs i installationsanvisningarna eller bruksanvisningarna. Installation och användning på annat sätt än enligt anvisningarna måste godkännas skriftligen av 3M Fall Protection.
 - Underlaget eller strukturen i vilken utrustningen fästs måste kunna bära de statistiska laster som anges för utrustningen i de riktningar som är tillåtna enligt bruksanvisningarna eller installationsanvisningarna.
 - Överskrid inte tillåtet antal användare.
 - Arbeta aldrig under en hängande last eller arbetare.
 - Iaktta försiktighet vid installation, användning och förflyttning av utrustningen eftersom delar i rörelse kan ge upphov till klämpunkter. Se bruksanvisningarna.
 - Säkerställ att lämpliga procedurer för låsning/spärrning följs när det är tillämpligt.
 - Anslut aldrig till ett system förrän detta har positionerats och fullständigt monterats, justerats och installerats. Justera inte systemet när en användare är ansluten.
 - Koppla endast delsystem till avsedda förankringskopplingar på utrustningen.
 - Säkerställ före borring eller infästning att inga elledningar, gasledningar eller andra kritiska dolda system kommer i kontakt med borren eller utrustningen.
 - Se till att fallskyddssystem och delsystem som är monterade med komponenter från olika tillverkare är kompatibla och uppfyller kraven i tillämpliga standarder, inklusive ANSI Z359 eller andra tillämpliga regler, standarder eller krav på fallskydd. Anlita alltid en kompetent eller kvalificerad person före användning av dessa system.
- **För att minska risker för allvarlig skada eller dödsfall vid arbete på höga höjder:**
 - Se till att din hälsa och fysiska kondition medger att du säkert kan motstå alla krafter i samband med arbete på hög höjd. Rådgör med läkare om du har frågor kring din förmåga att använda den här utrustningen.
 - Överskrid aldrig din fallskyddsutrustnings godkända kapacitet.
 - Överskrid aldrig din fallskyddsutrustnings maximala avstånd för fritt fall.
 - Använd aldrig fallskyddsutrustning som inte godkänts vid inspektion före användning eller andra schemalagda inspektioner, eller om du är osäker på huruvida utrustningen kan användas eller lämpar sig för ditt tillämpningsområde. Vänd dig till 3M:s tekniska kundtjänst med eventuella frågor.
 - Vissa kombinationer av undersystem och komponenter kan störa utrustningens funktionsduglighet. Använd endast kompatibla kopplingar. Rådfråga 3M innan du använder denna utrustning i kombination med andra komponenter eller undersystem än de som beskrivs i bruksanvisningen.
 - Iaktta särskild försiktighet vid arbete i närheten av rörliga maskindelar (t.ex. toppspindel på oljerigg), elfara, höga temperaturer, farliga kemikalier, explosiva eller giftiga gaser, skarpa kanter eller under material som kan falla ner på dig eller din fallskyddsutrustning.
 - Använd Arc Flash- eller Hot Works-enheter vid arbete i miljöer med höga temperaturer.
 - Undvik ytor och föremål som kan skada användare eller utrustning.
 - Se till att det finns tillräcklig fallmarginal vid arbete på höga höjder.
 - Du skall aldrig modifiera eller ändra din fallskyddsutrustning. Endast 3M eller av 3M skriftligen auktoriserade parter får utföra reparationer på utrustningen.
 - Innan du använder fallskyddsutrustning skall du kontrollera att det finns en räddningsplan som medger snabb räddning vid eventuellt fall.
 - Vid fall bör arbetaren som fallit få omedelbar läkarvård.
 - Ett kroppsbalte får ej användas för fallstoppstillämpningar. Använd endast helkroppsselar.
 - Minimera risken för pendelfall genom att arbeta med förankringspunkten så rakt ovanför dig som möjligt.
 - Vid utbildning i användning av den här enheten måste ett andra fallskyddssystem användas för att inte utsätta personen som utbildas för en oavsiktlig fallrisk.
 - Använd alltid lämplig personlig skyddsutrustning vid installation, användning eller inspektion av enheten/systemet.

Anteckna ID-etikettens produktidentitetsuppgifter i besiktningss- och underhållsloggen (tabell 2) på baksidan av denna bruksanvisning före installation och användning.

PRODUKTBESKRIVNING:

Figur 1 visar 3M™ däckmontage HC för trånga utrymmen. Däckmontage HC för trånga utrymmen används för att lyfta upp eller sänka ned en person till ett arbetsutrymme och erbjuda en förankringspunkt för fallskydd eller räddning. Denna instruktion gäller för följande komponenter i däckmontage HC för trånga utrymmen:

- (A) Däck HC med kort utliggning 8000107, Däckarm HC med lång utliggning 8000108.
- (B) Mastförlängning för fyra längder.
- (C) Universalmonteringsarm 8000109.
- (D) Kort utliggningsarm 8000110, (e) Lång utliggningsarm 8000111.
- (F) Vinschfäste 8000117 (ingår i universalmonteringsarm för bakre monterad vinsch eller SRL-block, ytterligare vinschfäste 8000117 krävs för frontmonterad vinsch eller SRL-block).

Masten till däckmontage HC för trånga utrymmen monteras i en lämplig 3M däckfot, tillgänglig separat. Se tabell 1 - Specifikationer.

Installationen av däckfoten måste vara godkänd enligt lokala bestämmelser av en kvalificerad tekniker. Se instruktioner för installation av däckfot. Mastförlängningar för däckmontage HC för trånga utrymmen kan inte staplas. Endast en mastförlängning får användas per däckfot.

Tabell 1 – Specifikationer

Systemspecifikationer:			
Kapacitet:	Fallstopp: EN795:2012 och CEN/TS 16415:2013 klassad för en eller två användare.		
	Räddning: EN1496:2006 klassad för en eller två användare med högsta tillåtna totalvikt 140 kg (310 lbs), inklusive verktyg och utrustning, kopplade under drift.		
	Materialhantering: 205 kg (450 lb) vid användning på valfri 3M HC flyttbar fot (3-delars, truckkrok ekker motviktsvagn) och 340 kg (750 lb) vid användning på valfri 3M HC permanent fot (installerad i golv, vägg, däck eller annat). Se specificerad kapacitet för materialhantering nedan:		
	Kapacitet för materialhantering (kg, lb)	3M Fot, beskrivning	3M Fot, artikelnummer
	205 kg (450 lb)	3-delars fot för kort utligg	8000104
	205 kg (450 lb)	3-delars fot för långt utligg	8000105
	205 kg (450 lb)	Fot för truck	8000103
	205 kg (450 lb)	Fot för motviktsvagn	8000106
	340 kg (750 lb)	Fot för golvmontering	8000095 – Galvaniserad 8000096 - Rostfritt stål
	340 kg (750 lb)	Fot för väggmontering	8000101 – Galvaniserad 8000102 - Rostfritt stål
340 kg (750 lb)	Fot för däckmontering	8000099 – Galvaniserad 8000100 - Rostfritt stål	
340 kg (750 lb)	Försänkt monteringsfot	8000089 – Galvaniserad 8000090 - Rostfritt stål	
340 kg (750 lb)	Fot med topplåt för försänkt mont.	8000091 – Galvaniserad 8000092 - Rostfritt stål	
Mått:	Se figur 1 ang. mått på komponenter i däckmontage HC för trånga utrymmen.		
Produktens vikt:	Se Figur 1 angående komponenters vikt i däckmontage HC för trånga utrymmen.		
Certifiering:	Certifiering av HC däckarmar och HC mastförlängare vid användning med flyttbara eller permanent installerad HC fot.		
	Portabel fot	EN795:2012 CEN/TS16415:2013	EN1496:2006
	3-delars fot (8000104, 8000105)	Certifierad (typ B)	Uppfyller (klass B)
	Fot för truck (8000103)	Certifierad (typ B)	Uppfyller (klass B)
	Fot för motviktsvagn (8000106)	Certifierad (typ B)	Uppfyller (klass B)
	Permanent installerad fot		
	Fot installerad i golv (8000095, 8000096)	Uppfyller (klass A)	Uppfyller (klass B)
	Fot installerad i vägg (8000101, 8000102)	Uppfyller (klass A)	Uppfyller (klass B)
	Fot installerad i däck (8000099, 8000100)	Uppfyller (klass A)	Uppfyller (klass B)
	Försänkt fot (8000089, 8000090)	Uppfyller (klass A)	Uppfyller (klass B)
Försänkt fot med övre plåt (8000091, 8000092)	Uppfyller (klass A)	Uppfyller (klass B)	

Tabell 1 – Specifikationer

Materialspecifikationer för komponenter i däckmontage HC för trånga utrymmen i Figur 2.		
Figur 2 hänvisning	Komponent	Material
(A)	Davitarm	Aluminium 6061-T6
(B)	Spärrsprint	Zinkpläterat stål
(C)	Bakre brytblock	Svart acetalplast
(D)	Brytblock på däckarm (2)	Delrin
(E)	Nedre brytblock på däckarm	Delrin
(F)	U-fäste (2)	Rostfritt stål
(G)	Davitmastförlängning	Aluminium 6061 och zinkpläterat stål
(H)	Vinschhållare	Zinkpläterat stål

1.0 PRODUKTANVÄNDNING

- 1.1 SYFTE:** Däckmontage HC för trånga utrymmen används för att lyfta upp eller sänka ned en person till ett arbetsutrymme och erbjuder en förankringspunkt för fallskydd eller räddning.
- 1.2 STANDARDER:** Detta däckmontage HC för trånga utrymmen överensstämmer med de nationella eller harmoniserade standarder som återges på framsidan av dessa instruktioner. Om denna produkt återförsäljs utanför det ursprungliga mottagarlandet, måste återförsäljaren tillhandahålla denna bruksanvisning på språket i det land där produkten kommer att användas.
- 1.3 INSTALLATION OCH ÖVERVAKNING:** Installation av däckmontage HC för trånga utrymmen skall övervakas av en kompetent person¹. En kvalificerad person² skall kontrollera att installationen i konstruktionen uppfyller gällande bestämmelser. En kvalificerad person skall rekommendera lämpliga fästelement och lämplig placering av däckmontaget. Användning av däckerten och infäst fallskyddsutrustning skall övervakas av en kompetent person.
- 1.4 UTBILDNING:** Denna utrustning måste installeras och användas av personer som är utbildade för korrekt användning av den. Denna manual kan ingå i utbildningsprogram för anställda och/eller lokala bestämmelser. Det är de som använder och installerar denna utrustning som ansvarar för att säkerställa att de är förtrogna med dessa anvisningar, utbildade för korrekt skötsel och användning av denna utrustning samt medvetna om driftsegenskaperna, tillämpningsbegränsningar och konsekvenserna av felaktig användning av denna utrustning.
- 1.5 RÄDDNINGSPLAN:** Vid användning av däckstativet med kopplad fallskyddsutrustning skall arbetsgivaren ha en räddningsplan och hjälpmedel tillgängliga för genomförande och kommunicering av planen till användarna. Ett utbildat räddningsteam på plats rekommenderas. Teamets medlemmar ska föras med utrustning och metoder för att utföra en framgångsrik räddningsoperation. Regelbunden utbildning ska tillhandahållas för att säkerställa räddningspersonalens kompetens.
- 1.6 BESIKTNINGSINTERVALL:** Däckmontage HC för begränsade utrymmen ska besiktas av användaren före varje användning och av en kompetent person annan än användaren med intervaller som inte överskrider ett år.³ Besiktningrutinerna beskrivs i "Besiktning- och underhållslogg". Resultatet av varje kompetent persons besiktning ska registreras på kopior av "Besiktning- och underhållsloggen".

2.0 SYSTEMKRAV

- 2.1 KOMPONENTERS KOMPATIBILITET:** Utrustning från 3M är endast avsedd att användas med 3M-godkända komponenter och undersystem. Ersättning eller utbyte mot icke godkända komponenter eller undersystem kan äventyra utrustningens kompatibilitet och även påverka hela systemets säkerhet och tillförlitlighet.
- 2.2 PERSONLIGA FALLSKYDDSSYSTEM (PFAS):** PFAS som används tillsammans med systemet, måste uppfylla gällande standarder och anvisningar. PFAS måste innefatta en helkroppsssele och ha en maximal fallstoppkraft enligt följande:

	Högsta tillåtna stoppkraft	Fritt fall
PFAS med stötdämpande lina	6 kN (1 350 lb)	Se instruktionerna som medföljer livlinan eller SRD-blocket angående begränsningar för fritt fall.
PFAS med självindragande lina (SRL-block)	6 kN (1 350 lb)	

1 Kompetent person: En person som kan identifiera befintliga och förutsägbara risker i omgivningarna, eller arbetsförhållanden som är hälsovådliga, riskfyllda eller farliga för anställda och som har behörighet att vidta omedelbara korrigerande åtgärder för att eliminera dessa.

2 Kvalificerad person: Det ska vara en person med intygat erkänd professionell nivå och omfattande erfarenhet av fallskydd. Denna person måste vara väl insatt i konstruktion, analys, utvärdering och specifikation av fallskydd.

3 Besiktningintervall: Extrema arbetsförhållanden (hård miljö, lång tids användning m.m.) kan kräva tätare besiktningar av kompetent person.

3.0 INSTALLATION

3.1 PLANERING: Gör en plan för fallskyddssystemet före installation och användning av däckmontage HC för trånga utrymmen. Beakta alla faktorer som kan påverka säkerheten före, under och efter ett fall.

- Planera ditt arbetsprogram före start. Ha erforderad personal, utrustning och procedurer tillgängliga för att klara av jobbet.
- Arbeta alltid i team. En person blir nersänkt eller upplyft och den andra personen ger ut lina och halar in linan.
- Bär lämpliga skyddsutrustning, t.ex. hjälm, skyddsglasögon, skyddsskor med halksäkra sulor, kraftiga handskar, skyddsklädsel och ansiktsmask.
- Mastförlängningar för däckmontage HC för trånga utrymmen kan inte staplas. Endast en mastförlängning får användas per däckfot.
- Alla vinsch- och SRL-monteringsdelar och fästelement måste levereras eller vara godkända av DBI-SALA.
- Förankra vinschen säkert före användning.
- Användare av systemet måste använda en godkänd helkroppssle.
- Använd aldrig indragsheter eller energiabsorbenter vars högsta tillåtna fallstoppkraft är större än märklasten för den komponent i systemet som har minst märklast.
- Indragsheter eller energiabsorbenter måste installeras och användas enligt tillverkarens instruktioner.
- Modulära komponenter är etiketterade med den kapacitet och gradering för vilken de är utformade, testade och tillverkade. Graderingen för alla system betraktas som graderingen för den lägst graderade komponenten i systemet. Använd inte utrustning om graderingsetiketterna är skadade eller oläsliga. Nya etiketter kan beställas från 3M Fallskydd.
- Däckmontage HC för trånga utrymmen skall tas bort från arbetsplatsen när det inte längre används.

3.2 INSTALLERA DÄVERTMONTAGE HC FÖR TRÅNGA UTRYMMEN:

1. (Figur 3) För in mastförlängaren till däckmontage HC för trånga utrymmen i en installerad 3M däckfot HC. (Se tabell 1 ang. beskrivning av 3M däckfot.) Följ instruktionerna för installation av däckfoten gällande hur den skall fästas i konstruktionen.
2. Fästa däckhuvudmontaget i universalmontaget:
 - a. (Figur 4a) För in däckhuvudets stödrör (A) i universalmontagets svetsade stödrör (B). Använd spärrsprinten (C) för att säkra stödröret i det svetsade stödet.
 - b. (Figur 4b) Använd stoppsprinten (D) för att fästa däckhuvudröret mellan sidplåtarna (E) på universalmontaget. Säkra stoppsprinten med spärrsprinten som är ansluten till motsatt sida av universalmontaget.
3. (Figur 5) Placera den monterade däckarmen/universal på mastförlängaren. Däckarmens nedre kant måste ha kontakt med mastförlängarens avsats. Centrera skåran nedtill på däckarmröret på skruven som sitter på mastförlängarens rygg.
4. (Figur 6) Däckarmens förlängning kan justeras i fyra lägen. Ta bort stoppsprinten (A) och dra ut eller skjut in däckarmförlängaren till önskad längd. Däckarmen måste säkras i läge med stoppsprint (A). Sätt i stoppsprinten helt.
5. (Figur 7) Däckarmens vinkel kan justeras i tre lägen. Ta bort stoppsprinten (C) och skjut in eller dra ut stödröret (A) i svetsstödet (B). Stödröret måste säkras med stoppsprinten (C). Sätt i stoppsprinten helt.
6. (Figur 8) Installera vinschen enligt tillverkarens instruktioner. Vinschen monteras med vinschfästet som ingår i universalmontaget. Vinschvajern dras oftast över det bakre brytblocket (A) på universalmontaget och det övre främre brytblocket (B) på däckarmen. En annan och/eller ytterligare frontmonterad konfigurering är möjlig. Se avsnitt 3.3.

3.3 VINSCHFÄSTE 8000117:

1. (Figur 9) En frontmonterad vinsch eller SRL-block kan läggas till på mastförlängare för däckmontage HC för trånga utrymmen genom installation av ett andra vinschfäste 8000117 (beställs separat). Fäst vinschfästet (A) i mastförlängaren med de två tillhörande stoppsprintarna (B). Vinschens eller SRL-blockets vajer löper över det främre brytblocket (C) på universalmontaget och det bakre främre brytblocket (D) på däckarmen.

3.4 U-FÄSTETS INFÄSTNINGSPUNKTER:

(Figur 10) De två infästningspunkterna (A och B) för U-fästet kan användas för fallstopp, räddning eller materialhantering. Vid användning av infästningspunkt A för U-fästet får det horisontella avståndet från däckfoten inte vara större än 38 cm (15").

4.0 ANVÄNDNING

4.1 FÖRE VARJE ANVÄNDNING: Kontrollera att arbetsområdet och det personliga fallskyddssystemet (PFAS) uppfyller alla villkor som anges i Avsnitt 2 och att en formell räddningsplan har upprättats. Besikt däckmontage HC för trånga utrymmen enligt "Användarens kontrollpunkter" som finns i "Besiktning- och underhållslogg" i denna manual. Använd inte systemet om ett osäkert eller defekt tillstånd upptäcks vid besiktning. Ta systemet ur drift och förstör det eller kontakta 3M avseende utbyte eller reparation.

5.0 BESIKTNING

5.1 BESIKTNINGSINTERVALL: Däckmontage HC för trånga utrymmen skall besiktas med intervall som anges i Avsnitt 1. Besiktningprocedurerna beskrivs i "Besiktning- och underhållslogg". Kontrollera alla övriga komponenter i fallskyddssystemet med de intervall och procedurer som anges i tillverkarens anvisningar.

5.2 DEFEKTER: Om osäkra eller defekta tillstånd upptäcks under besiktningen skall däckmontage HC för trånga utrymmen omedelbart tas ur bruk och 3M kontaktas för utbyte eller reparation. Gör inga försök att reparera fallskyddssystemet.

Får endast repareras av auktoriserad verkstad: ENDAST 3M eller skriftligen auktoriserade parter får utföra reparationer på utrustningen.

5.3 PRODUKTENS LIVSLÄNGD: Livslängden för däckmontage HC för trånga utrymmen beror på arbetsförhållanden och underhåll. Det får användas så länge det uppfyller besiktningsskraven.

6.0 UNDERHÅLL, SERVICE, FÖRVARING

6.1 RENGÖRING: Rengör regelbundet metallkomponenterna i däckmontage HC för trånga utrymmen med en mjuk borste, varmt vatten och mild tvållösning. Se till att delarna sköljs grundligt med rent vatten.

6.2 SERVICE: Endast 3M eller parter med skriftligt godkännande från 3M får reparera utrustningen. Ta systemet ur drift och kontakta 3M avseende utbyte eller reparation om däckmontage HC för trånga utrymmen visar tecken på osäkert eller defekt tillstånd vid besiktning.

6.3 FÖRVARING OCH TRANSPORT: Förvara däckmontage HC för trånga utrymmen och tillhörande fallskyddsutrustning på sval, torr och ren plats skyddad mot direkt solljus när den inte används. Undvik platser där det kan finnas kemiska ångor. Kontrollera komponenterna noggrant efter långvarig förvaring.

7.0 ETIKETTER

Figur 11 visar vilka etiketter som finns på däckmontage HC för trånga utrymmen. Etiketter som inte är helt läsliga skall bytas ut.

GÜVENLİK BİLGİLERİ

Bu Sınırlandırılmış Alan Girişi/Kurtarma Cihazını kullanmadan önce bu talimatlardaki tüm güvenlik bilgilerini okuyun, anlayın ve izleyin. BUNUN YAPILMAMASI AĞIR YARALANMAYA VEYA ÖLÜME YOL AÇABİLİR.

Bu talimatlar, bu ekipmanın kullanıcılarına verilmelidir. Bu talimatları ileride kullanmak üzere saklayın.

Kullanım Amacı:

Sınırlandırılmış Alan Girişi/Kurtarma Cihazı, düşmeye karşı komple bir kişisel koruma veya kurtarma sisteminin parçası olarak kullanılmak içindir.

Bunlarla sınırlı olmaksızın onaylanmamış malzeme elleçleme uygulamaları, eğlence veya spor ile ilgili faaliyetler veya Kullanıcı Talimatları veya Kurulum Talimatlarında açıklanmamış diğer faaliyetler dâhil olmak üzere başka bir uygulamada kullanılması 3M tarafından onaylanmamaktadır ve ağır yaralanmaya veya ölüme yol açabilir.

Bu cihaz yalnızca iş yeri uygulamalarında eğitim almış kullanıcılar tarafından kullanıma yöneliktir.



UYARI

Sınırlandırılmış Alan Girişi/Kurtarma Cihazı, düşmeye karşı kişisel koruma veya kurtarma sisteminin bir parçasıdır. Tüm kullanıcıların tam sistemin güvenli şekilde takılması ve kullanılması konusunda eksiksiz olarak eğitim almış olmaları beklenir. **Ürün sınırlamalarına uyulmaması ağır yaralanmaya veya ölüme yol açabilir.** Doğru şekilde seçmek, çalıştırmak, takmak ve bakımını ve servisini yapmak için tüm Ürün Talimatlarına ve tüm üretici tavsiyelerine bakın, amirinize sorun veya 3M Teknik Servisine danışın.

- **Sakınılmadığı takdirde ağır yaralanmaya veya ölüme yol açabilecek olan bir Sınırlandırılmış Alan Girişi/Kurtarma Cihazı ile çalışmanın risklerini azaltmak için:**
 - Her bir kullanımdan önce, yılda en az bir kez ve bir düşme vakasından sonra cihazı kontrol edin. Kullanım Talimatlarına uygun şekilde kontrol edin.
 - İncelemede güvenli olmayan veya kusurlu bir durumun ortaya çıkması halinde cihazı hizmet dışına çıkarın ve Kullanım Talimatlarına göre tamir edin veya değiştirin.
 - Herhangi bir düşme engelleme işlemi yapan veya darbe kuvvetine maruz kalan cihaz, hemen hizmet dışına çıkarılmalıdır. Kullanıcı Talimatlarına başvurun veya 3M Fall Protection ile iletişime geçin.
 - Cihaz yalnızca Kurulum Talimatları veya Kullanıcı Talimatlarında açıklanan şekilde takılmalıdır. Talimat kapsamı dışında kurulumlar ve kullanımlar 3M Fall Protection tarafından onaylanmalıdır.
 - Cihazın bağlandığı alt tabaka veya yapı, Kullanıcı Talimatlarında veya Kurulum Talimatlarında izin verilen yönlendirmelerdeki cihaz için belirtilen statik yüklere dayanabilmelidir.
 - İzin verilen kullanıcı sayısını geçmeyin.
 - Hiçbir zaman askıdaki bir yükün veya işçinin altında çalışmayın.
 - Cihazı takarken, kullanırken ve hareket ettirirken dikkatli olun zira hareketli parçalar potansiyel sıkışma noktaları oluşturabilir. Kullanıcı Talimatlarına başvurun.
 - Geçerli olan uygun kilitleme/etiketleme prosedürlerinin takip edildiğinden emin olun.
 - Bir sisteme konumlandırılana, tam olarak monte edilene, ayarlanana ve kurulana kadar kesinlikle bağlantı yapmayın. Sistemde bir kullanıcı bağlı iken ayarlama yapmayın.
 - Düşme koruma alt sistemlerini yalnızca cihazın üzerindeki belirlenmiş ankraj bağlantı noktasına bağlayın.
 - Matkapla veya bağlama işleminden önce elektrik hatlarının, gaz hatlarının veya diğer kritik gömülü sistemlerin matkap ucuyla veya cihazla temas etmeyeceğinden emin olun.
 - Farklı üreticiler tarafından üretilmiş bileşenler kullanılarak monte edilmiş düşmeye karşı koruma sistemlerinin/alt sistemlerinin uyumlu olduğunu ve ANSI Z359 veya geçerli diğer düşmeye karşı koruma yasaları, standartları veya gereklilikleri dâhil olmak üzere geçerli standartların koşullarını sağladığını teyit edin. Bu sistemleri kullanmadan önce Yetkin ve/veya Nitelikli bir Kişiyi danışın.
- **Sakınılmadığı takdirde ağır yaralanmaya veya ölüme yol açabilecek olan yüksekte çalışma ile ilgili riskleri azaltmak için:**
 - Sağlığınızın ve fiziksel durumunuzun yüksekte çalışma ile ilişkili tüm kuvvetlere güvenli şekilde dayanmanıza olanak vermesine dikkat edin. Bu ekipmanı kullanma yeteneğiniz ile ilgili sorularınız olduğu takdirde doktorunuza danışın.
 - Düşmeye karşı koruma donanımınızın izin verilen kapasitesini asla aşmayın.
 - Düşmeye karşı koruma donanımınızın maksimum serbest düşme mesafesini asla aşmayın.
 - Kullanım öncesi incelemeyi veya diğer programlı muayeneleri geçemeyen veya donanımın sizin uygulamanızdaki kullanımı veya uygunluğu bakımından endişeleriniz olduğu zaman hiç bir düşmeye karşı koruma donanımını kullanmayın. Tüm sorularınız için 3M Teknik Servisine danışın.
 - Bazı alt sistem ve bileşen kombinasyonları bu ekipmanın çalışmasına engel olabilir. Yalnızca uyumlu bağlantılar kullanın. Bu ekipmanı Kullanma Talimatlarında belirtilenler dışında bileşenler veya alt sistemler ile birlikte kullanmadan önce 3M'ye danışın.
 - Hareketli makineler (örneğin petrol kulelerinin üst sürücü mekanizması), elektrik tehlikeleri, aşırı sıcaklıklar, kimyasal tehlikeler, patlayıcı veya zehirli gazlar, keskin kenarlar çevresinde veya sizin veya düşmeye karşı koruma ekipmanının üzerine düşebilecek baş üstü malzemelerin altında çalışırken ilave önlemlere başvurun.
 - Yüksek ısı ortamlarında çalışırken Ark Parlama veya Sıcak Çalışma cihazları kullanın.
 - Kullanıcıya veya donanıma zarar verebilecek yüzeylerden ve nesnelere sakının.
 - Yüksekte çalışırken yeterli düşme boşluğunun bulunmasına dikkat edin.
 - Düşmeye karşı koruma donanımınızda asla tadilat veya değişiklik yapmayın. Bu ekipmanı yalnızca 3M veya 3M tarafından yazılı olarak yetki verilmiş taraflar tamir edebilir.
 - Düşmeye karşı koruma donanımını kullanmadan önce, bir düşme kazası olması durumunda, hemen kurtarma işlemi yapmaya olanak veren bir kurtarma planının bulunduğunu kontrol edin.
 - Bir düşme olayı durumunda, düşen işçi için hemen tıbbi yardım isteyin.
 - Düşmeyi engelleme uygulamaları için bir vücut kemeri kullanmayın. Sadece Tam Vücut Kemeri kullanın.
 - Ankraj noktasının mümkün olduğunca doğrudan altında çalışmak suretiyle sallanarak düşmeleri asgari düzeye indirin.
 - Bu cihaz için eğitim yaparken, eğitim alan kişinin amaçlanmamış şekilde düşme tehlikesine maruz kalmayacağı şekilde ikincil bir düşmeye karşı koruma sistemi kullanılmalıdır.
 - Cihazı/sistemi takarken, kullanırken veya muayene ederken daima uygun kişisel koruyucu donanım kullanın.

Bu ekipmanın kurulumu ve kullanımından önce, kimlik etiketindeki ürün tanımlama bilgilerini bu kılavuzun arka kısmındaki Muayene ve Bakım Günlüğüne (2) kaydedin.

ÜRÜN AÇIKLAMASI:

Şekil 1 3M™ Sınırlanmış Alan Yüksek Kapasiteli (HC) Matafora Grubunu göstermektedir. Sınırlanmış Alan HC Matafora Grubu bir işçiyi bir çalışma alanına kaldırmak veya indirmek ve düşme koruması veya kurtarma ankrāj noktası sunmak için kullanılır. Bu talimat aşağıdaki Sınırlanmış Alan HC Matafora Grubu bileşenleri için geçerlidir:

- (A) Kısa HC matafora parça numarası 8000107, uzun HC matafora parça numarası 8000108.
- (B) Kullanılabilir dört mast uzantısı uzunluğu.
- (C) Üniversal grup parça numarası 8000109.
- (D) Kısa ofset kolu parça numarası 8000110, (e) uzun ofset kolu parça numarası 8000111.
- (F) Vinç aparatı parça numarası 8000117 (arkadan monteli vinç veya SRL için üniversal gruba dahil; önden monteli vinç veya SRL için ek vinç aparatı 8000117 gerekir).

Sınırlanmış Alan HC Matafora Grubu mastı ayrıca temin edilebilecek uygun bir 3M tabanına kurulur. Bkz. Tablo 1 - Teknik Özellikler.

Taban kurulumu nitelikli bir mühendis tarafından yerel düzenlemelere göre onaylanmalıdır. Taban kurulum talimatlarına bakınız. Sınırlanmış Alan HC Matafora Grubu mast uzantıları istiflenemez. Matafora tabanı başına maksimum bir mast uzantısı kullanılabilir.

Tablo 1 – Teknik Özellikler

Sistemin Teknik Özellikleri:				
Kapasite:	Düşme Durdurucu: Bir veya iki kullanıcı için EN795:2012 ve CEN/TS 16415:2013 sınıfı.			
	Kurtarma: İşlem sırasında hatta aletler ve ekipman dahil olmak üzere 140 kg (310 lb) maksimum toplam ağırlığa sahip bir kullanıcı için EN1496:2006 sınıfı.			
	Malzeme Taşıma: Herhangi bir 3M HC taşınabilir taban (3 parçalı, kamyonu bağlantı veya karşı ağırlık arabası) üzerinde kullanıldığında 205 kg (450 lb) ve herhangi bir 3M sabit taban (zemine montaj, duvara montaj, döşemeye montaj veya çekirdek montaj) üzerinde kullanıldığında 340 kg (750 lb). Aşağıdaki Malzeme Taşıma Kapasitesi teknik özelliklerine bakınız:			
	Malzeme Taşıma Kapasitesi (kg, lb)	3M Taban Açıklaması	3M Taban Parça Numarası	
	205 kg (450 lb)	Kısa 3-parçalı taban	8000104	
	205 kg (450 lb)	Uzun 3-parçalı taban	8000105	
	205 kg (450 lb)	Kamyonu bağlantı tabanı	8000103	
	205 kg (450 lb)	Karşı ağırlık arabası tabanı	8000106	
	340 kg (750 lb)	Zemine monteli taban	8000095 – Galvanizli 8000096 - Paslanmaz	
	340 kg (750 lb)	Duvara monteli taban	8000101 – Galvanizli 8000102 - Paslanmaz	
340 kg (750 lb)	Döşemeye monteli taban	8000099 – Galvanizli 8000100 - Paslanmaz		
340 kg (750 lb)	Çekirdek monteli taban	8000089 – Galvanizli 8000090 - Paslanmaz		
340 kg (750 lb)	Üst plakalı çekirdek monteli taban	8000091 – Galvanizli 8000092 - Paslanmaz		
Ebat:	Sınırlanmış Alan HC Matafora Grubu bileşenlerinin ebatları için Şekil 1'e bakınız.			
Ürün Ağırlığı:	Sınırlanmış Alan HC Matafora Grubu bileşenlerinin ağırlığı için Şekil 1'e bakınız.			
Sertifikasyon:	Taşınabilir veya sabit HC tabanları ile kullanıldığında HC matafora kolları ve HC mast uzantıları sertifikasyonları			
	Taşınabilir Tabanlar	EN795:2012 CEN/TS16415:2013	EN1496:2006	
	3-Parçalı taban (8000104, 8000105)	Onaylı (Tip B)	Karşılar (Sınıf B)	
	Kamyonu bağlantı tabanı (8000103)	Onaylı (Tip B)	Karşılar (Sınıf B)	
	Karşı ağırlık arabası tabanı (8000106)	Onaylı (Tip B)	Karşılar (Sınıf B)	
	Sabit Tabanlar			
	Zemine monteli taban (8000095, 8000096)	Karşılar (Tip A)	Karşılar (Sınıf B)	
	Duvara monteli taban (8000101, 8000102)	Karşılar (Tip A)	Karşılar (Sınıf B)	
	Döşemeye monteli taban (8000099, 8000100)	Karşılar (Tip A)	Karşılar (Sınıf B)	
	Çekirdek monteli taban (8000089, 8000090)	Karşılar (Tip A)	Karşılar (Sınıf B)	
Üst plakalı çekirdek monteli taban (8000091, 8000092)	Karşılar (Tip A)	Karşılar (Sınıf B)		

Tablo 1 – Teknik Özellikler

Şekil 2'deki Sınırlandırılmış Alan HC Matafora Grubunun malzeme teknik özellikleri.		
Şekil 2 Referansı	Bileşen	Malzemeler
(A)	Matafora kolu	Alüminyum 6061-T6
(B)	Kilit pimi	Çinko kaplamalı çelik
(C)	Arka matafora makarası	Siyah Asetal
(D)	Matafora kolu makarası (2)	Delrin
(E)	Alt matafora kolu makarası	Delrin
(F)	U-braket (2)	Paslanmaz çelik
(G)	Matafora mast uzantısı	Alüminyum 6061 ve çinko kaplamalı çelik
(H)	Vinç aparatı	Çinko kaplamalı çelik

1.0 ÜRÜN UYGULAMASI

- 1.1 AMAÇ:** Sınırlandırılmış Alan HC Matafora Grubu bir işçiyi bir çalışma alanına kaldırmak veya indirmek ve düşme koruması veya kurtarma ankraj noktası sunmak için kullanılır.
- 1.2 STANDARTLAR:** Bu Sınırlandırılmış Alan HC Matafora Grubu, bu talimatların ön kapağında ve Tablo 1'de belirtilen ulusal veya bölgesel standart(lar)a uymaktadır. Bu ürünün orijinal varış ülkesi dışında yeniden satılması durumunda, satıcı bu talimatları ürünün kullanılacağı ülkenin dilinde temin etmelidir.
- 1.3 KURULUM VE GÖZETİM:** Sınırlandırılmış Alan HC Matafora Grubunun kurulumu, Yetkili bir Kişinin gözetiminde olmalıdır¹. Ehliyetli bir Kişi² yapısal kurulumun yerel ve federal düzenlemeleri karşıladığını doğrulamalıdır. Ehliyetli bir Kişi, uygun sabitleme elemanı ve uygun Sınırlandırılmış Alan HC Matafora Grubu yerleştirmesini önermelidir. Matafora ve takılan düşme koruması donanımının kullanımını, Yetkili bir Kişinin gözetiminde olmalıdır.
- 1.4 EĞİTİM:** Bu ekipmanın, doğru uygulama konusunda eğitimli kişilerce kurulması ve kullanılması gerekmektedir. Bu kılavuz, çalışan eğitim programı ve/veya bölgesel düzenlemelerin bir parçası olarak kullanılabilir. Bu talimatlar hakkında bilgi sahibi olmak, ekipmanın doğru bakım ve kullanımına ilişkin eğitimli olmak ve işletim özellikleri, uygulama sınırlamaları ve bu ekipmanın hatalı kullanımından doğan sonuçların farkında olmak, bu ekipmanın kullanıcıları ve kurucularının sorumluluğundadır.
- 1.5 KURTARMA PLANI:** Matafora ve bağlı düşme koruması ekipmanını kullanırken, işverenin bir kurtarma planı ve bunu uygulayacak gereçleri olmalıdır ve söz konusu planı kullanıcılara iletmelidir. Eğitimli, sahada hazır bekleyen bir kurtarma ekibi önerilir. Ekip üyelerine, başarılı bir kurtarma işlemi gerçekleştirmek için gereken ekipmanlar ve teknikler sağlanmalıdır. Kurtarma yeterliliğinden emin olmak için eğitim düzenli olarak sağlanmalıdır.
- 1.6 MUAYENE SIKLIĞI:** Sınırlandırılmış Alan HC Matafora Grubu, Kullanıcı tarafından her kullanımdan önce ve ek olarak kullanıcı dışında Yetkili bir Kişi tarafından bir yıldan daha uzun olmayan aralıklarla incelenmesi gereklidir.³ Muayene prosedürleri, "Muayene ve Bakım Günlüğünde" açıklanmıştır. Her Yetkili Kişi muayenesinin sonuçları, "Muayene ve Bakım Günlüğünün" kopyalarına kaydedilmelidir.

2.0 SİSTEM GEREKLİLİKLERİ

- 2.1 BİLEŞEN UYUMLULUĞU:** 3M ekipmanı, sadece 3M onaylı diğer bileşenler ve alt sistemlerle birlikte kullanım için tasarlanmıştır. Onaylanmamış bileşenler veya alt sistemlerle yapılan değiştirmeler ekipmanın uyumluluğunu riske atabilir ve komple sistemin güvenliği ve güvenilirliğini etkileyebilir.
- 2.2 KİŞİSEL DÜŞME ÖNLEME SİSTEMİ:** sistemle kullanılan kişisel düşme önleme sistemleri (PFAS), yürürlükteki düşme koruması standartları, kanunları ve gereklilikleriyle uyumlu olmalıdır. PFAS, tam vücut kemeri içermeli ve önleme kuvvetini aşağıdaki değerlerle sınırlandırmalıdır:

	Maksimum Önleme Kuvveti	Serbest Düşme
Darbe Emici Güvenlik Halatına sahip PFAS	6 kN (1.350 lb)	Serbest Düşme kısıtlamaları için Güvenlik Halatınıza veya SRD'ye dahil edilen talimatlara bakın.
Kendinden Geri Çekmeli Cihaza sahip PFAS (SRD)	6 kN (1.350 lb)	

1 Yetkili Kişi: Çevrede veya çalışma koşullarında çalışanlar için sağlıklı, tehlikeli veya riskli olan mevcut veya öngörülebilir tehlikeleri belirleyebilen ve bunları ortadan kaldırmak üzere acil düzeltici önlemler alma yetkisi bulunan kişi.

2 Ehliyetli Kişi: Düşme Koruması ile ilgili geçerli bir derecesi veya mesleki belgesi olan bir birey. Bu bireyin Düşme Koruması tasarlama, analiz etme, değerlendirme ve özelliklerini belirleme niteliklerine sahip olması gerekir.

3 Muayene Sıklığı: Aşırı çalışma koşulları (sert çevre şartları, uzun süreli kullanım vb.) yetkili kişi muayenelerinin sıklığının artırılmasını gerektirebilir.

3.0 KURULUM

3.1 PLANLAMA: Sınırlandırılmış Alan HC Matafora Grubunu kullanmadan ve kurmadan önce düşme koruma sisteminizi planlayın. Düşüş öncesinde, sırasında ve sonrasında güvenliğinizi etkileyecek tüm faktörleri dikkate alın.

- Başlamadan önce çalışma programınızı planlayın. Gerekli kişileri, donanımı ve prosedürleri işi yapmak için hazır hale getirin.*
- Her zaman ekip halinde çalışın. Bir kişi yukarı çıkarılırken ya da aşağı indirilirken, diğeri halatı gevşetir ve makaraya geri sarar.*
- Baret, güvenlik gözlüğü, tabanları kaymaz koruyucu ayakkabı, ağır iş eldivenleri, koruyucu giysi ve yüz maskesi gibi koruyucu teçhizat kullanın.*
- Sınırlandırılmış Alan HC Matafora Grubu mast uzantıları istiflenemez. Matafora tabanı başına maksimum bir mast uzantısı kullanılabilir.*
- Tüm vinç ve SRL montaj parçaları ile donanımı 3M Fall Protection tarafından tedarik edilmeli ya da onaylanmalıdır.*
- Kullanmadan önce vinci emniyetli bir biçimde sabitleyin.*
- Sistem kullanıcıları, onaylı tam vücut kemeri kullanmalıdır.*
- Sisteminizin en düşük değerli bileşenine eşit ya da daha düşük bir maksimum durdurma kuvvetine sahip geri sarılabilir aygıtlar ya da enerji emiciler kullanın.*
- Geri sarılabilir aygıtlar ya da enerji emiciler üreticinin talimatlarına göre monte edilmeli ve kullanılmalıdır.*
- Modüler bileşenler, tasarlandıkları, test edildikleri ve üretildikleri kapasiteler ve derecelere göre etiketlenmiştir. Herhangi bir sistemin değerleri, sistemdeki en düşük değerli bileşenin değerleri olarak kabul edilir. Değer etiketleri hasar görmüş ya da okunmayan ekipmanları kullanmayın. Yeni etiketler 3M Fall Protection'dan temin edilebilir.*
- Sınırlandırılmış Alan HC Matafora Grubu artık ihtiyaç olmadığında çalışma iş yerinden kaldırılmalıdır.*

3.2 SINIRLANDIRILMIŞ ALAN HC MATAFORA GRUBUNUN KURULUMU:

1. (Şekil 3) Sınırlandırılmış Alan HC Matafora Grubu mast uzantısını kurulu bir 3M HC matafora tabanına geçirin. (3M Taban açıklamaları için bkz. Tablo 1) Matafora tabanını ankraj yapısına sabitlemek için matafora tabanı kurulum talimatlarını takip edin.
2. Matafora başı grubunu üniversal gruba bağlayın:
 - a. (Şekil 4a) Matafora başı payanda borusunu (A) üniversal grup payanda kaynaklı parçasına (B) geçirin. Payanda borusunu payanda kaynaklı parçasına sabitlemek için kilit pimini (C) kullanın.
 - b. (Şekil 4b) Matafora başı kol borusunu üniversal grubun yan plakaları (E) arasına bağlamak için bağlantı pimini (D) kullanın. Bağlantı pimini üniversal grubun karşı tarafına bağlı linç pimi ile sabitleyin.
3. (Şekil 5) Monte edilen matafora kolunu/üniversal mast uzantısının üzerine yerleştirin. Matafora kol borusunun alt kenarı mast uzantısının çıkıntısı ile temas etmelidir. Matafora kol borusunun tabanındaki çentiği mast uzantısının çıkıntısı üzerinde bulunan vida üzerinde ortalayın.
4. (Şekil 6) Matafora kol uzantısı uzunluğu dört konumdan birine ayarlanabilir. Kilit pimini (A) çıkarın ve matafora kol uzantısını istenen uzunluğa ulaşmak üzere dışarı veya içeri kaydırın. Matafora kolu, kilit pimi (A) ile bu uzantı konumunda sabitlenmelidir. Kilit pimini tamamıyla geçirin.
5. (Şekil 7) Matafora kol açısı üç konumdan birine ayarlanabilir. Kilit pimini (C) çıkarın ve payanda borusunu (A) payanda kaynaklı parçasının (B) içine veya dışına doğru kaydırın. Payanda borusu kilit pimi (C) ile sabitlenmelidir. Kilit pimini tamamıyla geçirin.
6. (Şekil 8) Vinci üreticinin talimatlarına göre kurun. Vinç, üniversal gruba dahil edilmiş olan vinç aparatı ile monte edilir. Vinç kablosu tipik olarak üniversal grubun üzerindeki arka makara (A) ve Matafora Kolu üzerindeki üst ön makara (B) üzerinden yönlendirilir. Alternatif ve/veya ek bir önden monteli konfigürasyon da mümkündür. Bkz. Bölüm 3.3.

3.3 VİNÇ APARATI 8000117:

1. (Şekil 9) Önden monteli vinç veya SRL, Sınırlandırılmış Alan HC Matafora Grubu mast uzantısına ikinci bir vinç aparatı 8000117 (ayrıca satın alınır) takılarak eklenebilir. Vinç aparatını (A) mast uzantısına iki vinç aparatı kilit pimi (B) ile sabitleyin. Vinç veya SRL kablosu üniversal grup üzerindeki ön makarayı (C) ve matafora kolu üzerindeki alt ön makarayı (D) kullanın.

3.4 U-BRAKET BAĞLANTI NOKTALARI:

(Şekil 10) Düşme önleme, kurtarma veya malzeme taşıma için iki U-braket bağlantı noktası (A ve B) kullanılabilir. U-braket bağlantı noktası A kullanıldığında matafora tabanından 38 cm'lik (15 inç) yatay mesafeyi aşmayın.

4.0 KULLANIM

4.1 HER KULLANIMDAN ÖNCE: Çalışma alanınızın ve Kişisel Düşme Önleme Sisteminizin (PFAS) Bölüm 2'de tanımlanan tüm kriterleri karşıladığından ve resmi bir kurtarma planının mevcut olduğundan emin olun. Sınırlandırılmış Alan HC Matafora Grubunu bu kılavuzdaki "Muayene ve Bakım Günlüğü"nde belirtilen "Kullanıcı" muayene hususları uyarınca inceleyin. Muayenede güvenli olmayan veya hasarlı bir durum tespit edildiği takdirde sistemi kullanmayın. Sistemi hizmet dışına alın, imha edin veya değiştirme ya da onarım için 3M ile iletişime geçin.

5.0 MUAYENE

5.1 MUAYENE SIKLIĞI: Sınırlandırılmış Alan HC Matafora Grubu Bölüm 1'de tanımlanan aralıklarla kontrol edilmelidir. Muayene prosedürleri, "Muayene ve Bakım Günlüğü"nde açıklanmıştır. Düşme koruma sisteminin tüm diğer bileşenlerini, üreticinin talimatlarında belirtilen sıklıklarda ve prosedürlerle inceleyin.

5.2 KUSURLAR: Muayene sonucunda güvenli olmayan veya kusurlu bir durum tespit edilirse, Sınırlandırılmış Alan HC Matafora Grubunu derhal hizmet dışına alın ve değişim ya da onarım ile ilgili olarak 3M ile iletişime geçin. Düşme Önleme Sistemini onarmaya çalışmayın.

Yalnızca Yetkili Kişiler Tarafından Onarılmaktadır: Bu ekipmanda yalnızca 3M veya yazılı olarak yetki verilmiş taraflar onarım işlemleri yapabilir.

5.3 ÜRÜN ÖMRÜ: Sınırlandırılmış Alan HC Matafora Grubunun işlevsel ömrü çalışma koşulları ve bakım ile belirlenir. Ürün, muayene ölçütlerini geçtiği sürece kullanımda kalabilir.

6.0 BAKIM, SERVİS, SAKLAMA

6.1 TEMİZLİK: Sınırlandırılmış Alan HC Matafora Grubunun metal bileşenlerini yumuşak bir fırça, ılık su ve hafif sabun çözeltisi kullanarak periyodik olarak temizleyin. Parçaların temiz suyla iyice durulandığından emin olun.

6.2 SERVİS: Bu ekipmanda yalnızca 3M veya 3M tarafından yazılı olarak yetki verilmiş taraflar onarım işlemleri yapabilir. Sınırlandırılmış Alan HC Matafora Grubu düşme kuvvetine maruz kalırsa veya muayene sonucunda güvenli olmayan ya da kusurlu durumlar tespit edilirse sistemi hizmetten çıkarın ve değiştirme ya da onarım için 3M ile iletişime geçin.

6.3 SAKLAMA VE TAŞIMA: Kullanımda değilken, Sınırlandırılmış Alan HC Matafora Grubunu ve ilişkili düşme koruma ekipmanını serin, kuru, temiz bir ortamda, doğrudan güneş ışığından uzakta saklayın ve taşıyın. Kimyasal buharların mevcut olabileceği bölgelerden uzak durun. Uzun süreli saklama sonrasında bileşenleri detaylı şekilde inceleyin.

7.0 ETİKETLER

Şekil 11 Sınırlandırılmış Alan HC Matafora Grubu üzerindeki etiketleri göstermektedir. Tamamen okunmuyorsa etiketler değiştirilmelidir.

Tablo 2 – Muayene ve Bakım Günlüğü

Muayene Tarihi:		Muayene Eden:	
Bileşenler:	Muayene: (Muayene Sıklığı için bkz. Bölüm 5)	Kullanıcı	Yetkili Kişi
Sınırlanmış Alan Matafora Grubu (Şekil 1 ve 2)	Sınırlanmış Alan HC Matafora Grubunu çatlak, oyuk veya şekil bozuklukları açısından muayene edin.	<input type="checkbox"/>	<input type="checkbox"/>
	Ünitenin tamamını korozyon açısından muayene edin.	<input type="checkbox"/>	<input type="checkbox"/>
	Tüm bağlantı elemanlarının tam olarak sıkıldığını kontrol edin. Gerekliyorsa sıkın.	<input type="checkbox"/>	<input type="checkbox"/>
	Tüm pimlerin takıldığından ve kilit pimlerinin bağlantı pimleri ile sağlam bir şekilde bağlandığından emin olun.	<input type="checkbox"/>	<input type="checkbox"/>
Etiketler (Şekil 11)	Tüm etiketlerin sabit bir şekilde yapıştırıldığını ve okunur olduğunu onaylayın (bkz. "Etiketler")	<input type="checkbox"/>	<input type="checkbox"/>
PFAS ve Diğer Donanımlar	Matafora ile birlikte kullanılan İlave Kişisel Düşme Önleme Sistemi (PFAS) donanımları (kemer, SRL vb.) üreticinin talimatlarına göre takılmalı ve muayene edilmelidir.	<input type="checkbox"/>	<input type="checkbox"/>

Seri Numarası/Numaraları:	Satın Alındığı Tarih:
Model Numarası:	İlk Kullanım Tarihi:
Düzeltilici İşlem/Bakım:	Onaylayan:
	Tarih:
Düzeltilici İşlem/Bakım:	Onaylayan:
	Tarih:
Düzeltilici İşlem/Bakım:	Onaylayan:
	Tarih:
Düzeltilici İşlem/Bakım:	Onaylayan:
	Tarih:
Düzeltilici İşlem/Bakım:	Onaylayan:
	Tarih:
Düzeltilici İşlem/Bakım:	Onaylayan:
	Tarih:
Düzeltilici İşlem/Bakım:	Onaylayan:
	Tarih:
Düzeltilici İşlem/Bakım:	Onaylayan:
	Tarih:
Düzeltilici İşlem/Bakım:	Onaylayan:
	Tarih:
Düzeltilici İşlem/Bakım:	Onaylayan:
	Tarih:
Düzeltilici İşlem/Bakım:	Onaylayan:
	Tarih:
Düzeltilici İşlem/Bakım:	Onaylayan:
	Tarih:
Düzeltilici İşlem/Bakım:	Onaylayan:
	Tarih:
Düzeltilici İşlem/Bakım:	Onaylayan:
	Tarih:

<p>GLOBALNA GWARANCJA NA PRODUKTY, OGRANICZONE ROZWIĄZANIE I OGRANICZENIE ODPOWIEDZIALNOŚCI</p> <p>GWARANCJA: PONIŻSZE POSTANOWIENIA ZASTĘPUJĄ WSZYSTKIE GWARANCJE LUB WARUNKI, WYRAŻONE LUB DOMNIEMANE, W TYM DOMNIEMANE GWARANCJE LUB WARUNKI SPRZEDAŻY LUB PRZYDATNOŚCI DO OKREŚLONEGO CELU.</p> <p>O ile lokalne prawo nie przewiduje inaczej, produkty 3M służące do ochrony przed upadkiem są objęte gwarancją na wady fabryczne, w tym wady materiałowe i wykonawcze przez okres jednego roku od daty ich montażu lub pierwszego użycia przez pierwotnego właściciela.</p> <p>OGRANICZONE ROZWIĄZANIE: Po pisemnym powiadomieniu 3M, 3M naprawi lub wymieni produkt uznany przez 3M za wadliwy w zakresie wykonawstwa lub zastosowanych materiałów. 3M zastrzega sobie prawo do zażądania zwrotu produktu do swojego obiektu w celu oceny roszczenia gwarancyjnego. Niniejsza gwarancja nie obejmuje uszkodzeń produktu wynikających ze zużycia, niewłaściwego użytkowania, uszkodzenia w transporcie, braku właściwej konserwacji produktu lub innych uszkodzeń będących poza kontrolą firmy 3M. 3M będzie jedyną stroną oceniającą stan produktu oraz możliwe opcje gwarancyjne.</p> <p>Niniejsza gwarancja obejmuje wyłącznie pierwszego nabywcę i jest to jedyna gwarancja na produkty 3M służące do ochrony przed upadkiem. W celu uzyskania pomocy prosimy o kontakt z działem obsługi klienta firmy 3M w Państwa regionie.</p> <p>OGRANICZENIE ODPOWIEDZIALNOŚCI: W ZAKRESIE DOZWOLONYM PRZEZ LOKALNE PRAWO, 3M NIE PONOSI ODPOWIEDZIALNOŚCI ZA JAKIEKOLWIEK POŚREDNIE, PRZYPADKOWE, NADZWYCZAJNE LUB WYNIKOWE SZKODY, W TYM, LECZ NIE WYŁĄCZNIE, UTRATY ZYSKÓW, W JAKIKOLWIEK SPOŚÓB ZWIĄZANE Z PRODUKTEM, NIEZALEŻNIE OD PRZEDSTAWIONEJ PODSTAWY PRAWNEJ.</p>	<p>GARANTIA GLOBAL DO PRODUTO, REPARAÇÃO LIMITADA E LIMITAÇÃO DE RESPONSABILIDADE</p> <p>GARANTIA: A SEGUINTE É FEITA EM LUGAR DE TODAS AS GARANTIAS OU CONDIÇÕES, EXPRESSAS OU IMPLÍCITAS, INCLUINDO AS GARANTIAS OU CONDIÇÕES DE COMERCIALIZAÇÃO OU ADEQUAÇÃO A UM DETERMINADO FIM.</p> <p>Salvo disposição em contrário pelas leis locais, os produtos de proteção contra quedas da 3M têm garantia contra defeitos de fábrica, quer no fabrico, quer nos materiais, por um período de um ano, a partir da data de instalação ou da primeira utilização pelo proprietário original.</p> <p>REPARAÇÃO LIMITADA: Após a notificação por escrito à 3M, a 3M irá reparar ou substituir qualquer produto que a 3M determinar ter um defeito de fábrica no fabrico ou nos materiais. A 3M reserva-se o direito de exigir que o produto seja devolvido às suas instalações para avaliação das solicitações de garantia. Esta garantia não cobre danos ao produto devidos ao desgaste, abuso, mau uso, danos durante o transporte, falha na manutenção do produto ou outros danos fora do controlo da 3M. A 3M será o único juiz da condição do produto e opções de garantia.</p> <p>Esta garantia aplica-se somente ao comprador original e é a única garantia aplicável aos produtos de proteção contra quedas da 3M. Entre em contacto com o departamento de atendimento ao cliente da 3M na sua área para obter assistência.</p> <p>LIMITAÇÃO DE RESPONSABILIDADE: NA MEDIDA DO PERMITIDO PELAS LEIS LOCAIS, A 3M NÃO SE RESPONSABILIZA POR QUAISQUER DANOS INDIRETOS, INCIDENTAIS, ESPECIAIS OU CONSEQUENTES, INCLUINDO, MAS NÃO SE LIMITANDO À PERDA DE LUCROS DE ALGUMA FORMA RELACIONADA COM OS PRODUTOS, INDEPENDENTEMENTE DA BASE LEGAL INVOCADA.</p>
<p>МЕЖДУНАРОДНЫЕ ГАРАНТИЙНЫЕ ОБЯЗАТЕЛЬСТВА НА ИЗДЕЛИЕ, ЧАСТИЧНОЕ ВОЗМЕЩЕНИЕ УЩЕРБА И ОГРАНИЧЕНИЕ ОТВЕТСТВЕННОСТИ</p> <p>ГАРАНТИЯ: НАСТОЯЩАЯ ГАРАНТИЯ ЗАМЕНЯЕТ ВСЕ ДРУГИЕ ГАРАНТИИ, ЯВНЫЕ ИЛИ ПОДРАЗУМЕВАЕМЫЕ. ВКЛЮЧАЯ ГАРАНТИИ КОММЕРЧЕСКОГО УСПЕХА ИЛИ ПРИГОДНОСТИ ДЛЯ КАКОЙ-ЛИБО КОНКРЕТНОЙ ЦЕЛИ.</p> <p>Если иное не предусмотрено местным законодательством, на системы для защиты от падения компании 3M распространяется гарантия на отсутствие заводских дефектов изготовления и материалов сроком на один год с момента установки или первого использования первоначальным владельцем.</p> <p>ЧАСТИЧНОЕ ВОЗМЕЩЕНИЕ УЩЕРБА: После получения письменного уведомления компания 3M обязуется осуществить ремонт или замену любого изделия, которое, по определению компании 3M, имеет заводской дефект изготовления или материалов. Компания 3M оставляет за собой право потребовать, чтобы изделие было возвращено на предприятие для оценки обоснованности претензий по гарантии. Данная гарантия не распространяется на дефекты, возникшие в результате износа, неправильного обращения, неправильного использования, повреждения при транспортировке, на дефекты, вызванные техническим обслуживанием, или другие дефекты, не подлежащие контролю компании 3M. Только компания 3M будет принимать решение в отношении состояния изделия и вариантов гарантийного обслуживания.</p> <p>Данная гарантия распространяется только на первоначального покупателя и является единственной гарантией, применяемой к системам для защиты от падения компании 3M. Пожалуйста, свяжитесь с отделом обслуживания клиентов компании 3M в вашем регионе для получения помощи.</p> <p>ОГРАНИЧЕНИЕ ОТВЕТСТВЕННОСТИ: В ПРЕДЕЛАХ, ДОПУСКАЕМЫХ МЕСТНЫМИ ЗАКОНАМИ, КОМПАНИЯ 3М НЕ НЕСЕТ ОТВЕТСТВЕННОСТИ ЗА КАКОЙ-ЛИБО КОСВЕННЫЙ, СЛУЧАЙНЫЙ, ОСОБЫЙ ИЛИ ПОСЛЕДУЮЩИЙ УЩЕРБ, ВКЛЮЧАЯ, ПОМИМО ПРОЧЕГО, ПОТЕРЮ ПРИБЫЛИ, КАКИМ-ЛИБО ОБРАЗОМ ОТНОСЯЩУСЯ К ПРОДУКЦИИ НЕЗАВИСИМО ОТ ПРАВОВОЙ ТЕОРИИ.</p>	<p>GLOBALNA GARANCIJA ZA IZDELEK, OMEJENA PRAVNA SREDSTVA IN OMEJITEV ODGOVORNOSTI</p> <p>GARANCIJA: DOKUMENT V NADALJEVANJU NADOMEŠČA VSAKRŠNE GARANCIJE ALI POGOJE, IZREČNE ALI IMPLICITNE, VKLJUČNO Z IMPLICITNIMI GARANCIJAMI IN POGOJI O PRIMERNOSTI ZA PRODAJO IN USTREZNOSTI ZA DOLOČEN NAMEN.</p> <p>Če ni drugače določeno z lokalno zakonodajo, so izdelki za zaščito pred padcem 3M predmet garancije, ki pokriva tovarniške napake v izdelavi in materialih, ki velja za obdobje enega leta od datuma namestitve ali prve uporabe s strani dejanskega lastnika.</p> <p>OMEJITEV PRAVNIH SREDSTEV: Družba 3M bo na podlagi prejetega pisnega obvestila popravila ali zamenjala kateri koli izdelek, pri katerem družba 3M ugotovi napako v izdelavi ali materialih. Družba 3M si pridržuje pravico zahtevati vračilo izdelka v tovarniški obrat za namen ocene zahtevka iz naslova garancije. Ta garancija ne zajema škode na izdelku zaradi obrabe, zlorabe, napačne uporabe, škode, ki nastane med prevozom ali zaradi pomanjkljivega vzdrževanja izdelka oziroma druge škode, na katero družba 3M nima vpliva. Le družba 3M lahko oceni stanje izdelka in možnosti iz naslova garancije.</p> <p>Ta garancija velja le za dejanskega kupca in je edina veljavna garancija za izdelke za zaščito pred padcem 3M. Za pomoč se obrnite na oddelek za pomoč kupcem družbe 3M v svoji regiji.</p> <p>OMEJITEV ODGOVORNOSTI: V OBSEGU, KI GA DOLOČA LOKALNA ZAKONODAJA, DRUŽBA 3M NE ODGOVARJA ZA MOREBITNO POSREDNO, NAKLJUČNO, POSEBNO ALI POSLEDIČNO ŠKODO, KAR MED DRUGIM VKLJUČUJE IZGUBO DOBIČKA, KI JE NA KAKRŠEN KOLI NAČIN POVEZAN Z IZDELKI, NE GLEDE NA PRAVNO TEORIO UTEMELJITVE ZAHTEVKA.</p>
<p>GLOBAL PRODUKTGARANTI, BEGRÄNSAD KOMPENSATION OCH BEGRÄNSAD ANSVARSSKYLDIGHET</p> <p>GARANTI: FÖLJANDE GÄLLER SOM ERSÄTTNING FÖR ALLA GARANTIER ELLER VILKOR, UTTRYCKLIGA ELLER UNDERFÖRSTÄDDA, INKLUSIVE UNDERFÖRSTÄDDA GARANTIER ELLER VILKOR FÖR SÄLJBARHET ELLER LÄMPLIGHET FÖR ETT VISST ÄNDAMÅL.</p> <p>Såvida inte annat stipuleras i lokala lagar, garanteras 3M:s fallskyddsprodukter mot fabriktionsfel avseende tillverkning och material under en period av ett år från datum för ursprunglig ägares installation eller första användning.</p> <p>BEGRÄNSAD KOMPENSATION: Efter skriftligt avisering till 3M, kommer 3M att reparera eller byta ut varje produkt, som av 3M fastställts vara behäftad med fabriktionsfel vad gäller tillverkning eller material. 3M förbehåller sig rätten att kräva att produkt returneras till företagets anläggning för utvärdering av garantianspråk. Denna garanti omfattar inte produktskada till följd av slitage, felaktig användning, missbruk, skada under transport, underlåtenhet att sköta produkten eller annan skada utom 3M:s kontroll. 3M är ensam bedömare av produktskick och garantialternativ.</p> <p>Denna garanti avser enbart den ursprungliga köparen och är den enda garanti som gäller för 3M:s fallskyddsprodukter. Kontakta 3M:s kundtjänstavdelning i din region för assistans.</p> <p>BEGRÄNSNING AV ANSVARSSKYLDIGHET: I DEN OMFATTNING SOM TILLÅTS AV LOKALA LAGAR, ANSVARAR 3M INTE FÖR NÅGRA INDIREKTA, OFÖRUTSEDDA, SPECIELLA ELLER FÖLJDISKADOR, INKLUSIVE MEN INTE BEGRÄNSAT TILL FÖRLUST AV VINSTER, VILKA PÅ NÅGOT SÄTT HÄNFORTS TILL PRODUKTERNA, OAVSETT HÄVDAVD RÄTTSLIG GRUND.</p>	<p>KÜRESEL ÜRÜN GARANTİSİ, SINIRLI BAŞVURU YOLU VE SORUMLULUK SINIRLAMASI</p> <p>GARANTİ: AŞAĞIDAKİLER, ZİMNİ TİCARETE ELVERİŞLİLİK VEYA BELLİ BİR AMACA UYGUNLUK GARANTİ VE KOŞULLARI DA DÂHİL OLMAK ÜZERE, AÇIK VEYA ZİMNİ HER TÜRLÜ GARANTİ VE KOŞULUN YERİNİ ALMAKTADIR.</p> <p>Yerel yasalar aksini belirtmediği müddetçe, 3M düşme koruması ürünleri montaj tarihi veya orjinal sahibin ilk kullanım tarihinden itibaren bir yıl süreyle işçilik ve malzeme yönünden fabrika kusurlarına karşı garantilidir.</p> <p>SINIRLI BAŞVURU YOLU: 3M, kendisine yapılan yazılı bildirim sonrasında işçilik veya malzeme açısından fabrika kusuruna sahip olduğunu belirlediği herhangi bir ürünü onarabilir veya yenisiyle değiştirebilir. 3M, garanti iddialarının değerlendirilmesi amacıyla ürünün tesisine iade edilmesini şart koşabilir. Bu garanti; yıpranma, istismar, kötüye kullanım, taşınma sırasında hasar, ürünün bakımının yapılmamasından kaynaklanan ürün hasarını ya da 3M'nin kontrolü dışındaki diğer hasarları kapsamaz. 3M, ürünün durumu ve garanti seçenekleri konusunda yegâne takdir sahibi olacaktır.</p> <p>Bu garanti, yalnızca orjinal satın alma işleminin alıcısı için geçerlidir ve 3M'nin düşme koruması ürünleri için geçerli olan yegâne garantidir. Destek için lütfen bölgenizdeki 3M müşteri hizmetleri bölümü ile irtibata geçin.</p> <p>SORUMLULUK SINIRLAMASI: 3M, YEREL YASALARIN İZİN VERDİĞİ ÖLÇÜDE, İLERİ SÜRÜLEN YASAL KURAMA BAKILMAKSİZİN ÜRÜNLE HERHANGİ BİR ŞEKİLDE İLGİLİ OLAN KÂR, KAYBINI DA KAPSAYAN, ANCAK BUNUNLA SINIRLI OLMAYAN HİÇBİR DOLAYLI, ARIZİ, ÖZEL VEYA BAĞLI HASARDAN SORUMLU DEĞİLDİR.</p>



Fall Protection

USA

3833 SALA Way
Red Wing, MN 55066-5005
Toll Free: 800.328.6146
Phone: 651.388.8282
Fax: 651.388.5065
3Mfallprotection@mmm.com

Brazil

Rua Anne Frank, 2621
Boqueirão Curitiba PR
81650-020
Brazil
Phone: 0800-942-2300
falecoma3m@mmm.com

Mexico

Calle Norte 35, 895-E
Col. Industrial Vallejo
C.P. 02300 Azcapotzalco
Mexico D.F.
Phone: (55) 57194820
3msaludocupacional@mmm.com

Colombia

Compañía Latinoamericana de Seguridad S.A.S.
Carrera 106 #15-25 Interior 105 Manzana 15
Zona Franca - Bogotá, Colombia
Phone: 57 1 6014777
fallprotection-co@mmm.com

Canada

260 Export Boulevard
Mississauga, ON L5S 1Y9
Phone: 905.795.9333
Toll-Free: 800.387.7484
Fax: 888.387.7484
3Mfallprotection-ca@mmm.com

EMEA (Europe, Middle East, Africa)

EMEA Headquarters:
Le Broc Center
Z.I. 1re Avenue - BP15
06511 Carros Le Broc Cedex
France
Phone: + 33 04 97 10 00 10
Fax: + 33 04 93 08 79 70
informationfallprotection@mmm.com

Australia & New Zealand

95 Derby Street
Silverwater
Sydney NSW 2128
Australia
Phone: +(61) 2 8753 7600
Toll-Free : 1800 245 002 (AUS)
Toll-Free : 0800 212 505 (NZ)
Fax: +(61) 2 8753 7603
anzfallprotectionsales@mmm.com

Asia

Singapore:
1 Yishun Avenue 7
Singapore 768923
Phone: +65-6450 8888
Fax: +65-6552 2113
TotalFallProtection@mmm.com

Shanghai:

19/F, L'Avenue, No.99 Xian Xia Rd
Shanghai 200051, P R China
Phone: +86 21 62539050
Fax: +86 21 62539060
3MFallProtecton-CN@mmm.com

Korea:

3M Koread Ltd
20F, 82, Uisadang-daero,
Yeongdeungpo-gu, Seoul
Phone: +82-80-033-4114
Fax: +82-2-3771-4271
TotalFallProtection@mmm.com

Japan:

3M Japan Ltd
6-7-29, Kitashinagawa, Shinagawa-ku, Tokyo
Phone: +81-570-011-321
Fax: +81-3-6409-5818
psd.jp@mmm.com

WEBSITE:
3M.com/FallProtection



EU DECLARATION OF CONFORMITY:
3M.com/FallProtection/DOC

