



# LIFTINGSAFETY

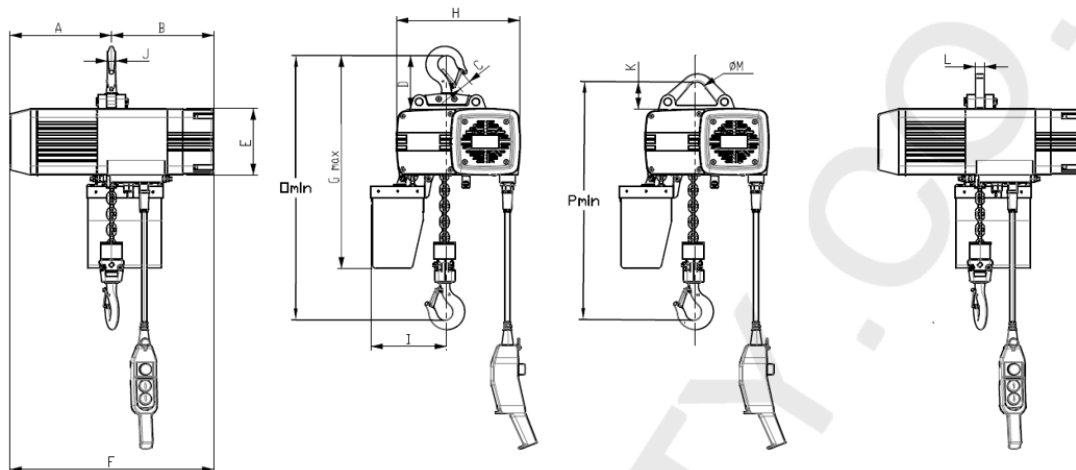
SELBY ENGINEERING AND LIFTING SAFETY LTD - LIFTING STANDARDS IN SAFETY  
 Tel: +44 (0) 1977 684 600 Email: sales@liftingsafety.co.uk  
**LIFTING EQUIPMENT AND HEIGHT SAFETY SPECIALISTS**



## volt trac™

### Technical information

#### Dimensions



## volt trac™

### Technical information

Body	Number of falls	A	B	C	D	E	F	Gmax	H	I	K	L	ØM	J	Omin	Pmin
VT250	1	190	244	26	98	118	256	515	233	165	56	18	40	20	362	320
VT500	2	190	244	26	98	118	256	620	233	230	56	18	40	22	452	410
VT500	1	231	209	26	105	166	440	570	280	210	58	20	44	22	447	400
VT1000	2	231	209	32	131	166	440	700	280	235	64	20	44	21	607	540
VT1000	1	247	251	32	130	175	498	960	315	220	69	23	44	21	511	450
VT2000	2	247	251	38	158	175	498	795	315	305	69	23	44	28	669	580

## volt trac™

### Technical table

Working Load Limit – WLL (kg)	250		500				1000				2000					
	VT250	VT250	VT500	VT500	VT500	VT500	VT500	VT500	VT1000	VT1000	VT1000	VT1000	VT1000	VT1000		
Body	VT250	VT250	VT500	VT500	VT500	VT500	VT500	VT500	VT1000	VT1000	VT1000	VT1000	VT1000	VT1000		
Number of falls	1	2	1	1	1	2	2	2	1	1	2	2	2	2		
Number of speeds	1	1	1	1	2	1	2	2	1	2	1	2	1	2		
Speed (m/mn)	10	5	8	2	8	4	1	4	8	2	8	4	1	4		
Pic starting current	Lifting with load (A)		6.5	6.5	12	6.5	12	12	6.5	12	16.5	13.5	16.5	16.5	13.5	16.5
	Descent with load (A)		6.0	6.0	11.5	7	11.5	11.5	7	11.5	16	13.5	16	16	13.5	16
Working intensity	Lifting with load (A)		1.3	1.3	2.4	1.3	2.4	2.4	1.3	2.4	3.3	2.7	3.3	3.3	2.7	3.3
	Descent with load (A)		1.2	1.2	2.3	1.4	2.3	2.3	1.4	2.3	3.2	2.7	3.2	3.2	2.7	3.2
Engine power (kW)	0.4	0.4	0.72	0.18	0.72	0.72	0.7	0.72	1.6	0.4	1.6	1.6	1.6	0.4	1.6	
Electrical supply characteristics	400 V – 50Hz – 3 phase															
IP protection	IP55															
ISO/FEM Classification	M5/2m															
Duty factor	40% 1 speed – 40% & 25% 2 speeds															
Chain size ØxP (mm)	Ø4x12	Ø4x12	Ø5x15	Ø5x15	Ø5x15	Ø5x15	Ø5x15	Ø5x15	Ø7x21	Ø7x21	Ø7x21	Ø7x21	Ø7x21	Ø7x21	Ø7x21	
Number of start/hour	300															
Chain weight per meter (kg)	0.35	0.35	0.55	0.55	0.55	0.55	0.55	0.55	1.06	1.06	1.06	1.06	1.06	1.06		
Weight with 3 m chain (kg)	22	24	33	36	37	37	40	48	51	56	59	59	59	59		
Chain length max (m)	25 m															
Supply voltage control (V)	24 V															
Length max pendant control box (m)	25 m															

SELBY ENGINEERING AND LIFTING SAFETY LTD. TEL: +44 (0) 1977 684 600