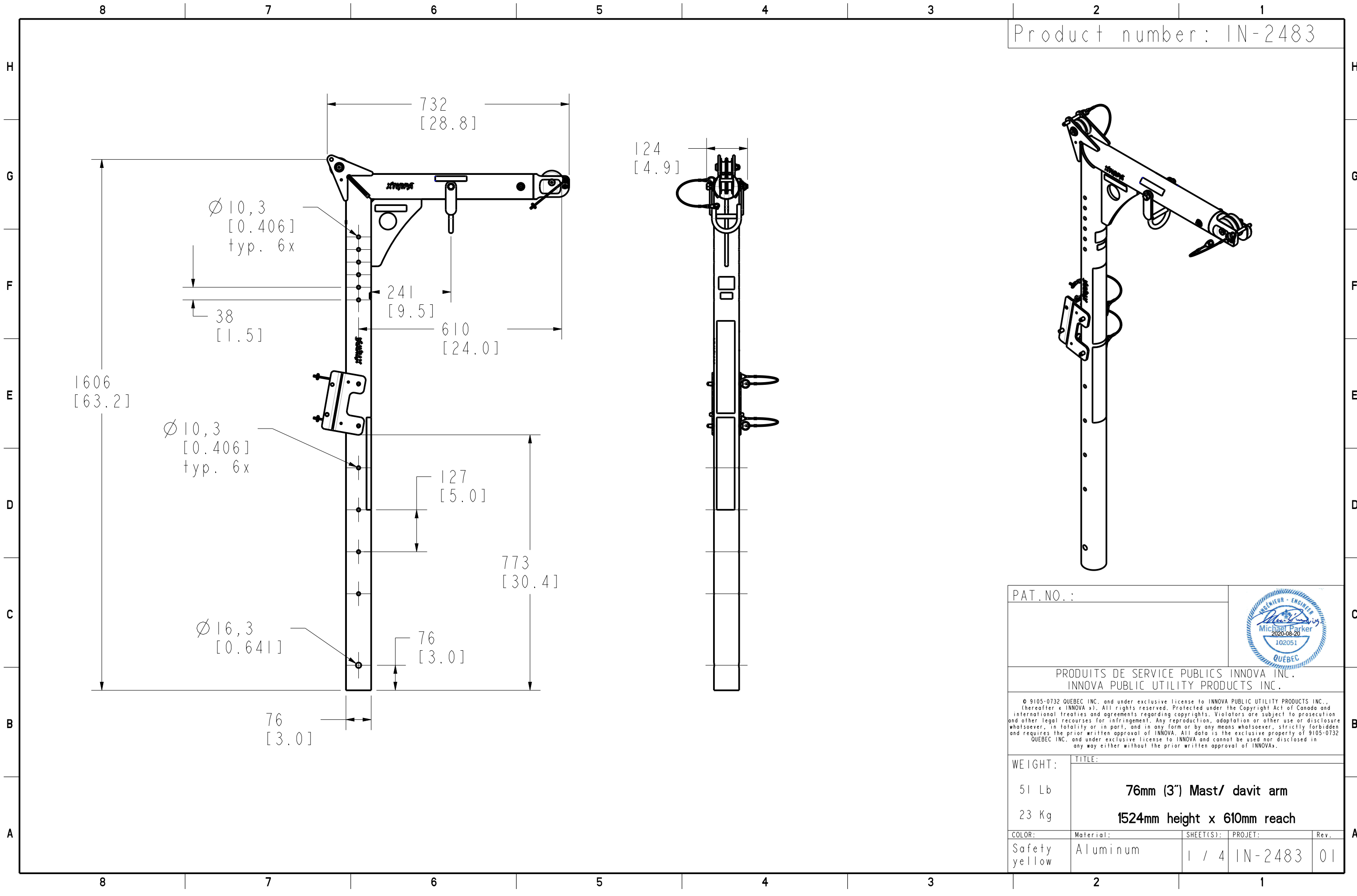

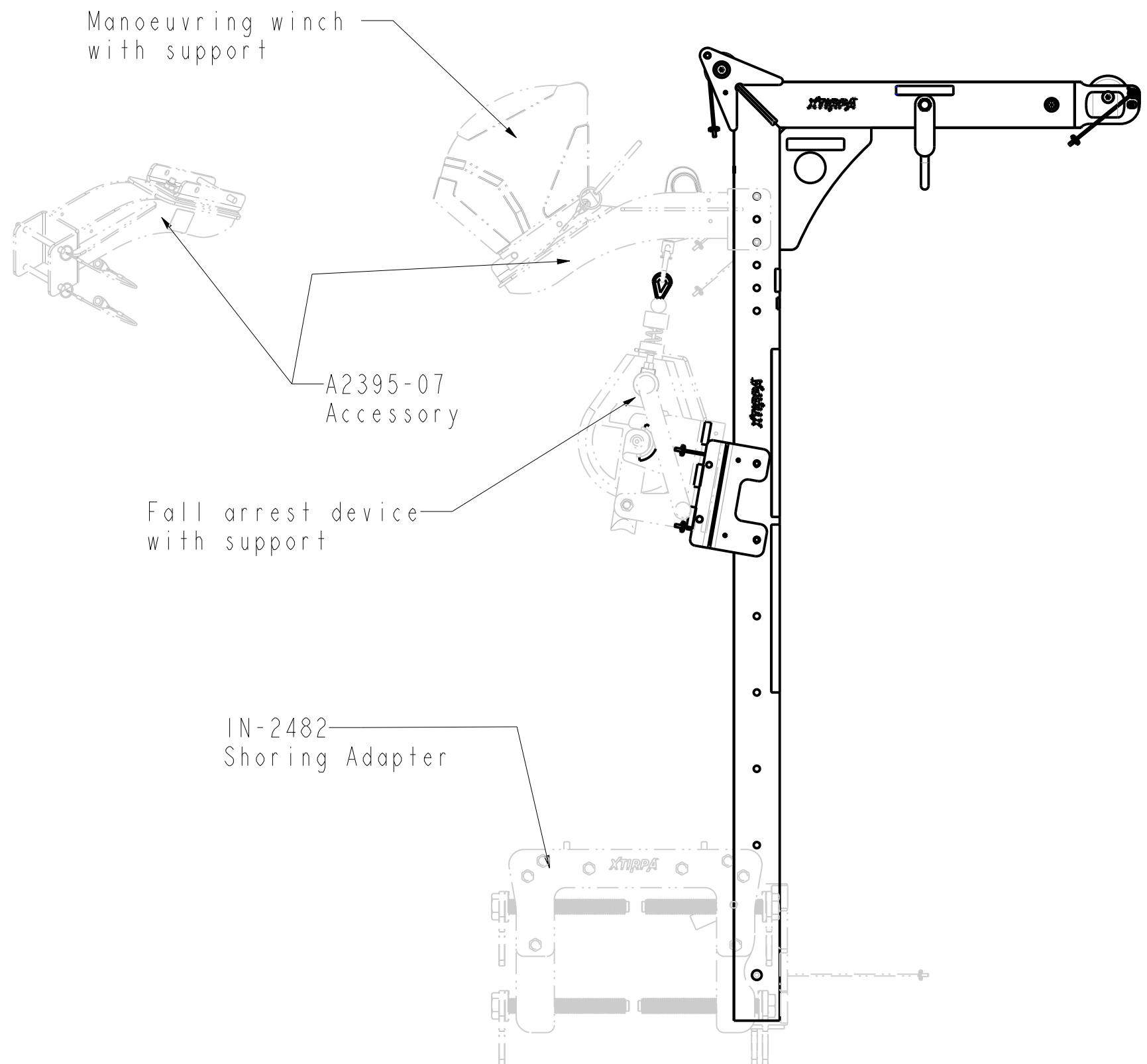



Product number: IN-2483



PAT. NO. :				
PRODUITS DE SERVICE PUBLICS INNOVA INC. INNOVA PUBLIC UTILITY PRODUCTS INC.				
<small>© 9105-0732 QUEBEC INC. and under exclusive license to INNOVA PUBLIC UTILITY PRODUCTS INC., (hereafter « INNOVA »). All rights reserved. Protected under the Copyright Act of Canada and international treaties and agreements regarding copyrights. Violators are subject to prosecution and other legal recourses for infringement. Any reproduction, adaptation or other use or disclosure whatsoever, in totality or in part, and in any form or by any means whatsoever, strictly forbidden and requires the prior written approval of INNOVA. All data is the exclusive property of 9105-0732 QUEBEC INC. and under exclusive license to INNOVA and cannot be used nor disclosed in any way either without the prior written approval of INNOVA.</small>				
WEIGHT:	TITLE:			
51 Lb	76mm (3") Mast/ davit arm			
23 Kg	1524mm height x 610mm reach			
COLOR:	Material:	SHEET(S):	PROJET:	Rev.
Safety yellow	Aluminum	1 / 4	IN-2483	01

Product number: IN-2483



PAT. NO. :				
PRODUITS DE SERVICE PUBLICS INNOVA INC. INNOVA PUBLIC UTILITY PRODUCTS INC.				
<small>© 9105-0732 QUEBEC INC. and under exclusive license to INNOVA PUBLIC UTILITY PRODUCTS INC., (hereafter « INNOVA »). All rights reserved. Protected under the Copyright Act of Canada and international treaties and agreements regarding copyrights. Violators are subject to prosecution and other legal recourses for infringement. Any reproduction, adaptation or other use or disclosure whatsoever, in totality or in part, and in any form or by any means whatsoever, strictly forbidden and requires the prior written approval of INNOVA. All data is the exclusive property of 9105-0732 QUEBEC INC. and under exclusive license to INNOVA and cannot be used nor disclosed in any way either without the prior written approval of INNOVA.</small>				
WEIGHT:	TITLE:			
51 Lb	76mm (3") Mast/ davit arm 1524mm height x 610mm reach			
23 Kg				
COLOR:	Material:	SHEET(S):	PROJET:	Rev.
Safety yellow	Aluminum	2 / 4	IN-2483	01

Product number : IN-2483

SPECIFICATIONS

H This equipment is considered as part of a personal fall arrest system (PFAS) with a maximum working capacity of 164 Kg (360 lb).

It is only to be used in conjunction with a personal fall arrest system that limits the maximum arrest force (MAF).

G Max Working load F1 (mass) : 164 kg (360 lb)
 Max Working load F2/F3 (mass) : 227 Kg (500 lb)
 Max working moment : 976 N-m (8,640 lbf-in)

Max design capacity F1 : 16,014 N (3,600 lbf)
 Max design capacity F2/F3 : 22KN (5000 lbf)
 Max design moment : 9761 N-m (86,400 lbf-in)

F STANDARDS

Meets the following standards:
 OSHA Personal fall arrest system - 1910.66 App C
 ANSI Safety requirements for personal fall arrest system, subsystems and components Z359.1 / 2007
 CE EN 795: 2012 Type B
 TS 16415: 2013 (2 USERS)

MATERIAL AND CONSTRUCTION

Mast/Davit-Arm and Head : Structural Aluminum
 Pulley and spacer : Black Acetal
 Bearing Ring : Bronze
 Hardware : Stainless Steel and Zinc plated steel
 Lanyard : Nylon covered stainless steel Cable
 Plate for Winch support : Structural Steel
 Finish : Yellow security powder paint.
 Welding Certification : CSA W47,2M / CSA W47,1

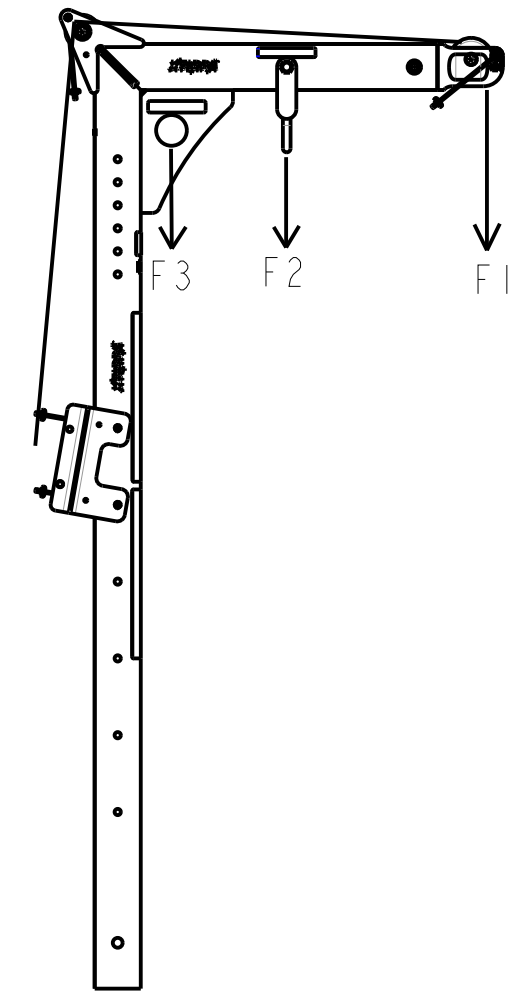
C RESTRICTIONS

This product is to be used only with products approved by Innova Public Utility Products Inc.

IMPORTANT :

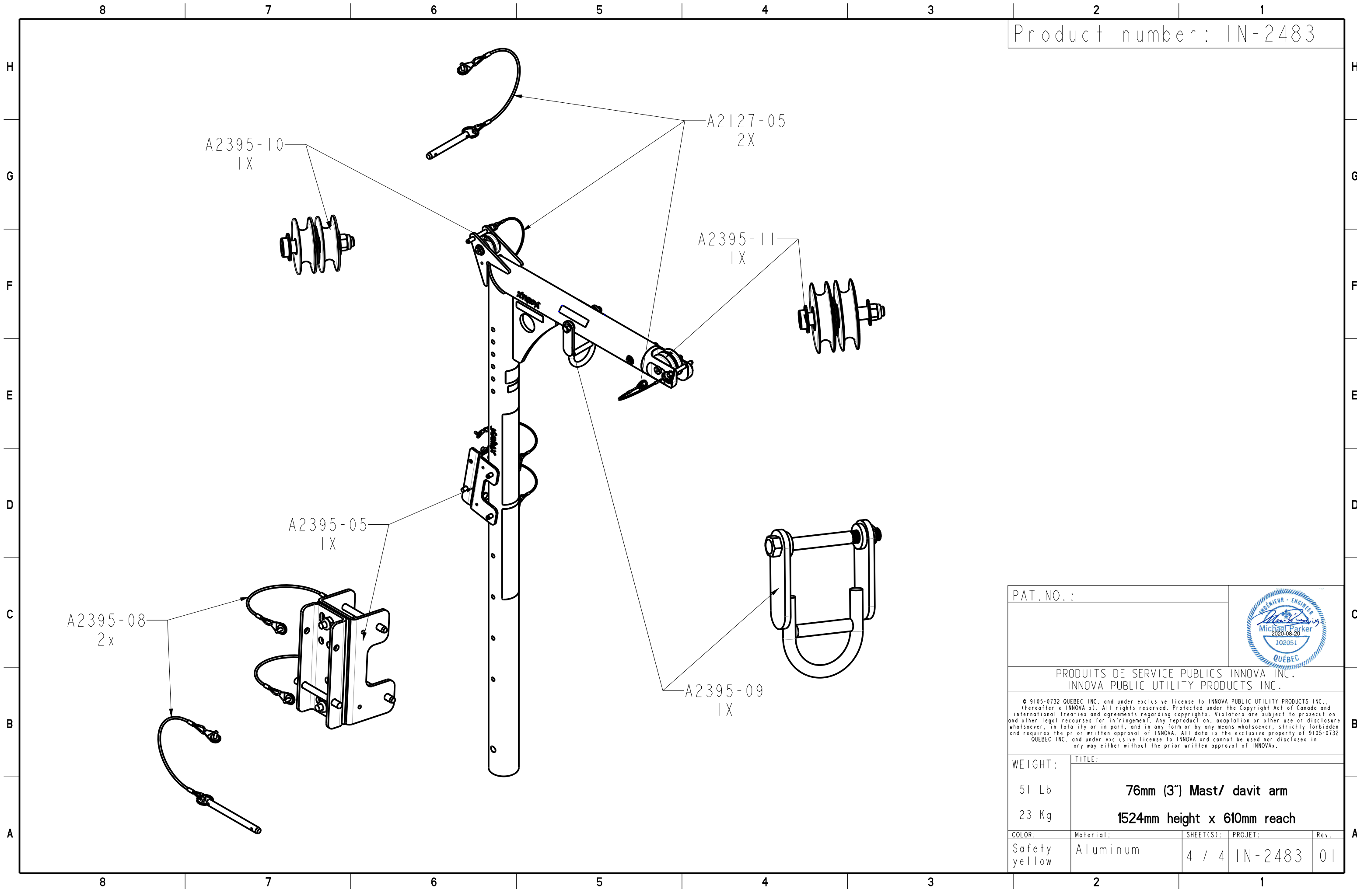
B The positioning and locking pins must be in place when equipment is used.
 ** Periodic inspections of hardware must be done.
 In the occurrence of a fall or the safety of the equipment is in doubt, equipment must be immediately removed from service and inspected by qualified personnel before reuse.


A ** This equipment must always be operated in a level position.



PAT. NO. :				
PRODUITS DE SERVICE PUBLICS INNOVA INC. INNOVA PUBLIC UTILITY PRODUCTS INC.				
<small>© 9105-0732 QUEBEC INC. and under exclusive license to INNOVA PUBLIC UTILITY PRODUCTS INC., (hereafter « INNOVA »). All rights reserved. Protected under the Copyright Act of Canada and international treaties and agreements regarding copyrights. Violators are subject to prosecution and other legal recourses for infringement. Any reproduction, adaptation or other use or disclosure whatsoever, in totality or in part, and in any form or by any means whatsoever, strictly forbidden and requires the prior written approval of INNOVA. All data is the exclusive property of 9105-0732 QUEBEC INC. and under exclusive license to INNOVA and cannot be used nor disclosed in any way either without the prior written approval of INNOVA.</small>				
WEIGHT:	TITLE:			
51 Lb	76mm (3") Mast/ davit arm 1524mm height x 610mm reach			
23 Kg				
COLOR:	Material:	SHEET(S):	PROJET:	Rev.
Safety yellow	Aluminum	3 / 4	IN-2483	01

Product number: IN-2483



PAT. NO.:				
PRODUITS DE SERVICE PUBLICS INNOVA INC. INNOVA PUBLIC UTILITY PRODUCTS INC.				
<small>© 9105-0732 QUEBEC INC. and under exclusive license to INNOVA PUBLIC UTILITY PRODUCTS INC., (hereafter « INNOVA »). All rights reserved. Protected under the Copyright Act of Canada and international treaties and agreements regarding copyrights. Violators are subject to prosecution and other legal recourses for infringement. Any reproduction, adaptation or other use or disclosure whatsoever, in totality or in part, and in any form or by any means whatsoever, strictly forbidden and requires the prior written approval of INNOVA. All data is the exclusive property of 9105-0732 QUEBEC INC. and under exclusive license to INNOVA and cannot be used nor disclosed in any way either without the prior written approval of INNOVA.</small>				
WEIGHT:	TITLE:			
51 Lb	76mm (3") Mast/ davit arm 1524mm height x 610mm reach			
23 Kg				
COLOR:	Material:	SHEET(S):	PROJET:	Rev.
Safety yellow	Aluminum	4 / 4	IN-2483	01