


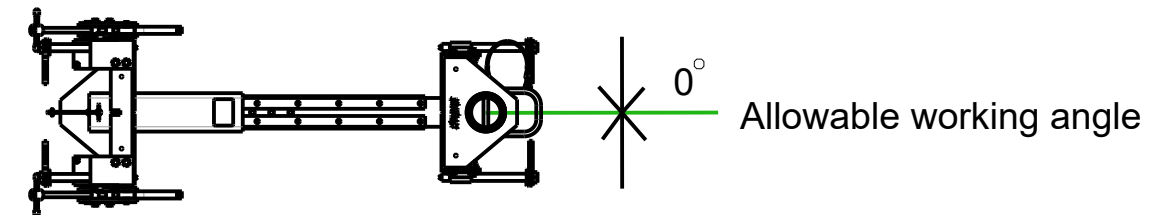
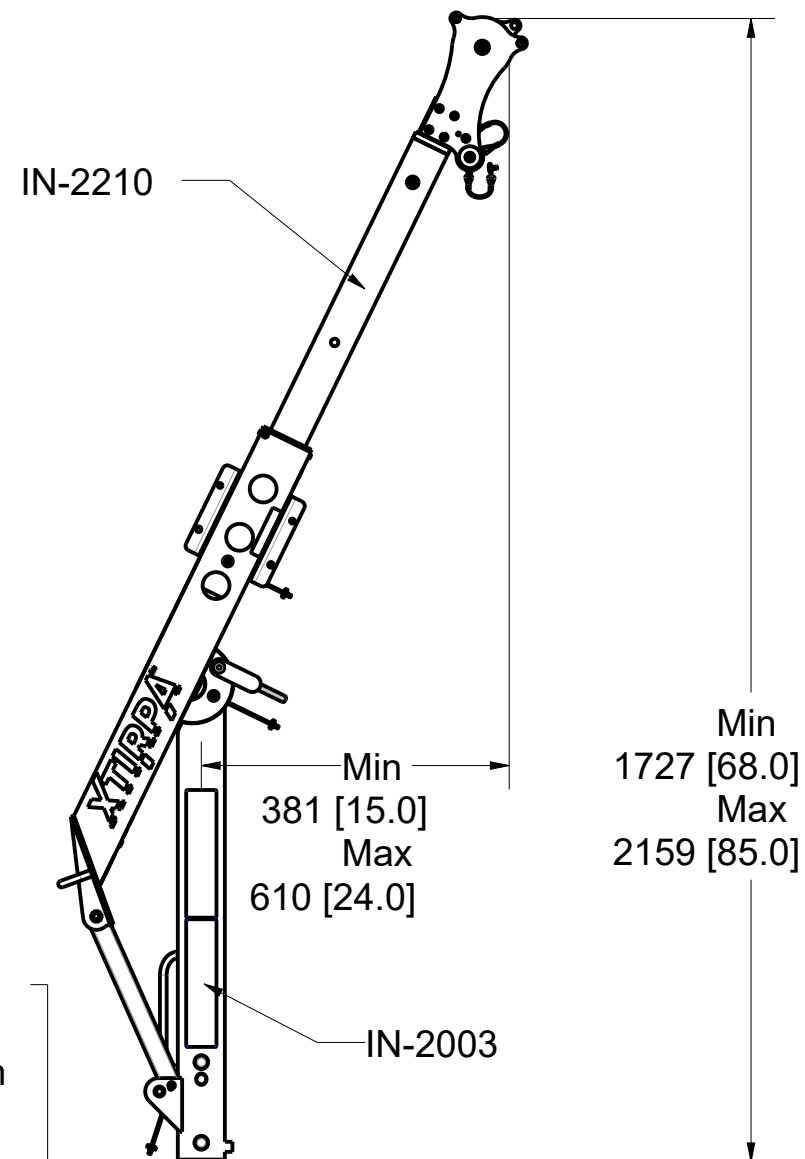
PAT.NO.:				
PRODUITS DE SERVICE PUBLICS INNOVA INC. INNOVA PUBLIC UTILITY PRODUCTS INC.				
<small>© 9105-0732 QUEBEC INC. and under exclusive license to INNOVA PUBLIC UTILITY PRODUCTS INC., (hereafter « INNOVA »). All rights reserved. Protected under the Copyright Act of Canada and international treaties and agreements regarding copyrights. Violators are subject to prosecution and other legal recourses for infringement. Any reproduction, adaptation or other use or disclosure whatsoever, in totality or in part, and in any form or by any means whatsoever, strictly forbidden and requires the prior written approval of INNOVA. All data is the exclusive property of 9105-0732 QUEBEC INC. and under exclusive license to INNOVA and cannot be used nor disclosed in any way either without the prior written approval of INNOVA.</small>				
WEIGHT:	TITLE:			
114 Lb	76mm (3") Adjustable wall adapter			
52 Kg	305mm-800mm (12"-31.5")			
COLOR:	Material:	SHEET(S):	PROJET:	Rev.
Yellow security	Aluminum	1 / 5	IN-2075	01

Product number: **IN-2075**

Recommendations:

Concrete must be made of 0,2% gross area rebar reinforced 13.8 MPa (2000psi) or better. Minimum thickness of 191mm (7-1/2") OR Non reinforced Concrete 18.3MPa (2000psi) or better Minimum thickness of 286mm (11-1/4").

Moment capacity: 13,558 N-m (120,000 lbf-in). Vertical load: 22,241 N (5,000 lbf). Note: It is the responsibility of the field engineer to assure installation compliance.



191 [7.5] Minimum
267 [10.5] Minimum

Min 381 [15.0]
Max 610 [24.0]

Min 1727 [68.0]
Max 2159 [85.0]

Torque Value (8x)
15-20 ft-lbf (20-27 Nm)

305 [12.0] Min.
800 [31.5] Max.

Ajustable positions:
Bottom position: 406 (16.0") to 483 (19.0")
Center position: 288 (11.25") to 362 (14.25")
Top position: 191 (7.5") to 241 (9.5")

PAT.NO.:				
PRODUITS DE SERVICE PUBLICS INNOVA INC. INNOVA PUBLIC UTILITY PRODUCTS INC.				
<small>© 9105-0732 QUEBEC INC. and under exclusive license to INNOVA PUBLIC UTILITY PRODUCTS INC., (hereafter « INNOVA »). All rights reserved. Protected under the Copyright Act of Canada and international treaties and agreements regarding copyrights. Violators are subject to prosecution and other legal recourses for infringement. Any reproduction, adaptation or other use or disclosure whatsoever, in totality or in part, and in any form or by any means whatsoever, strictly forbidden and requires the prior written approval of INNOVA. All data is the exclusive property of 9105-0732 QUEBEC INC. and under exclusive license to INNOVA and cannot be used nor disclosed in any way either without the prior written approval of INNOVA.</small>				
WEIGHT:	TITLE:			
114 Lb	76mm (3") Adjustable wall adapter			
52 Kg	305mm-800mm (12"-31.5")			
COLOR:	Material:	SHEET(S):	PROJET:	Rev.
Yellow security	Aluminum	2 / 5	IN-2075	01

SPECIFICATIONS

H This equipment is considered as part of a personal fall arrest system (PFAS) with a maximum working capacity of 164 Kg (360 lb).

It is only to be used in conjunction with a personal fall arrest system that limits the maximum arrest force (MAF).

G Maximum working moment : 976 N-m (8640 lbf-in)
Maximum moment : 9762 N-m (86400 lbf-in)

STANDARDS

Meets the following standards:
OSHA Personal fall arrest system - 1910.66 App C
ANSI Safety requirements for personal fall arrest system, subsystems and components Z359.1 (R1999) / 2007
F CAN/CSA Fall arresters, vertical lifelines, and rails Z259.2.1-98
CE EN 795: 2012 Type B.
CEN/TS 16415: 2013 (2 Users)

MATERIAL AND CONSTRUCTION

E Structure : Aluminum 6061-T6
Sleeve bearing : PVC pipe
Hardware : Zinc plated steel
Screw plates : Zinc plated steel
Sliding strips : UHMW
Pin : Stainless steel
D Lanyard : Nylon covered stainless steel cable
Welding certification : CSA W47,2M CSA W59 & 47.1

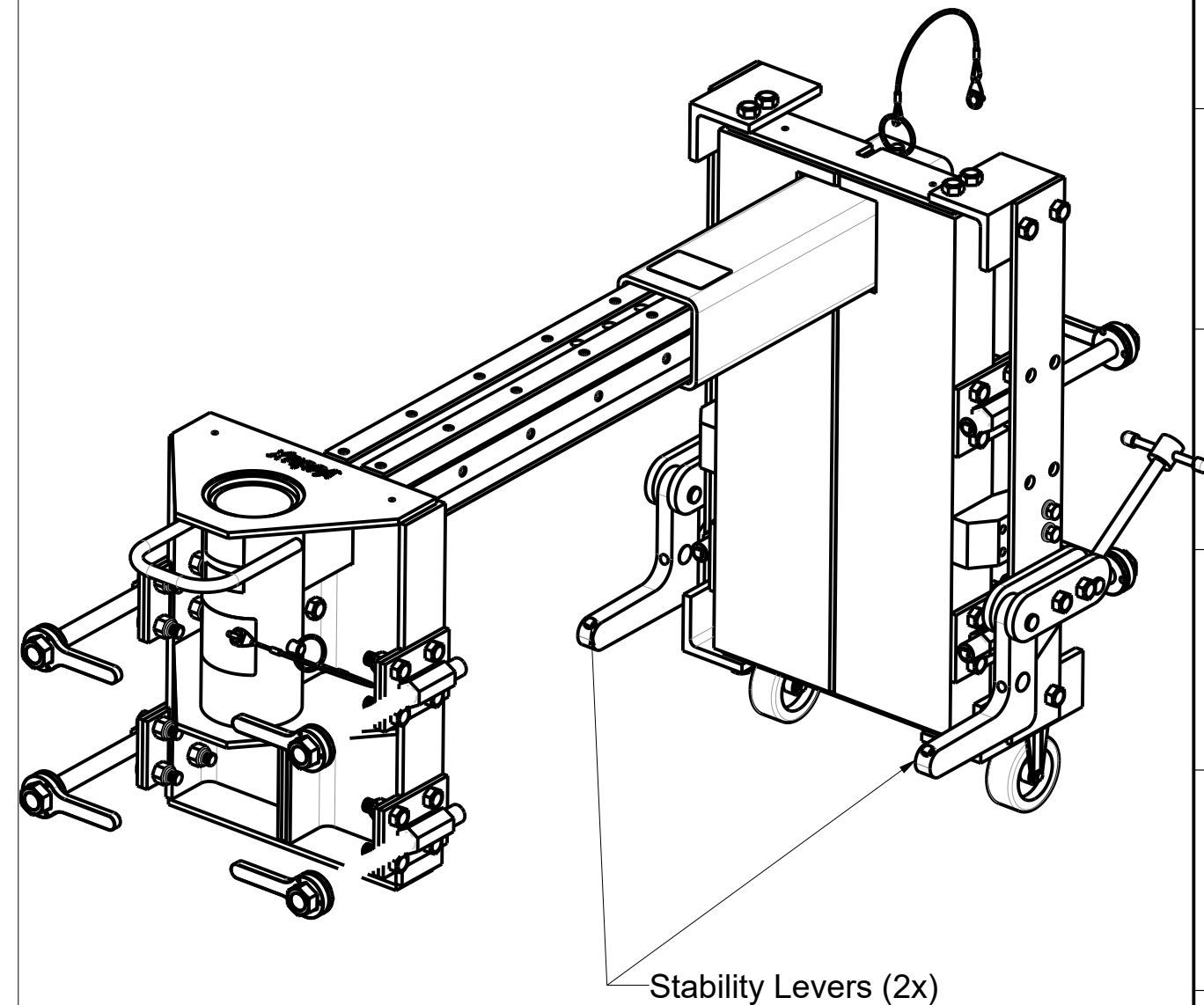
RESTRICTIONS


This product is to be used only with products approved by Innova Public Utility Products inc.

C IMPORTANT :

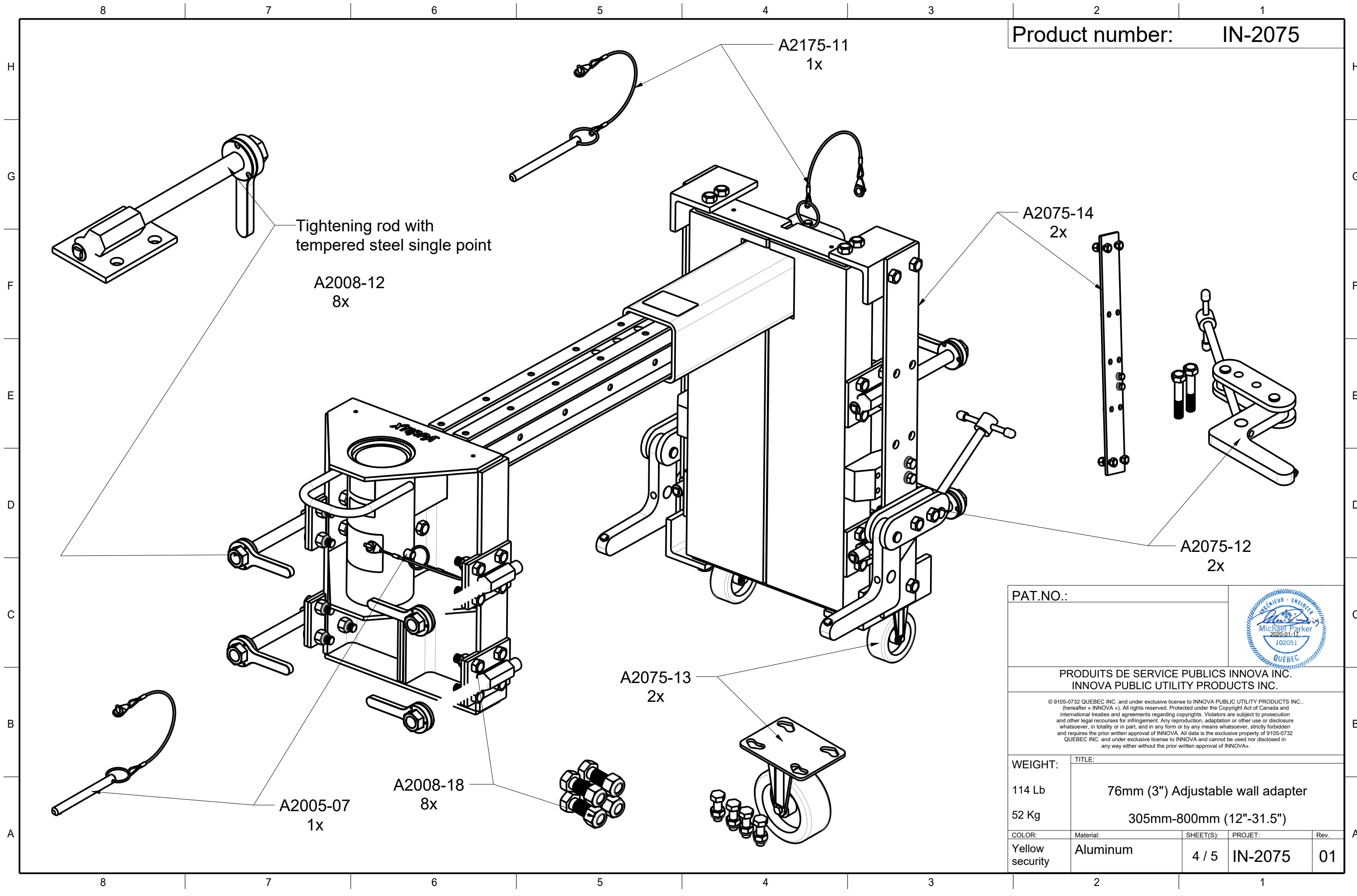
A minimum of 4 adjustment pins shall be used at all times on each side of the structure.
Stability levers shall be used at all times.
Always use the product perpendicular to the wall. It is not considered as a permanent structure.
B **The positioning pins must always be in place when manoeuvring personnel. Otherwise, serious injuries may occur.
Periodic inspections of hardware must be done.
In the occurrence of a fall or the safety of the equipment is in doubt, equipment must be immediately removed from service and inspected by qualified personnel before reuse.
A ** This equipment must always be operated in a level position.


Product number: IN-2075

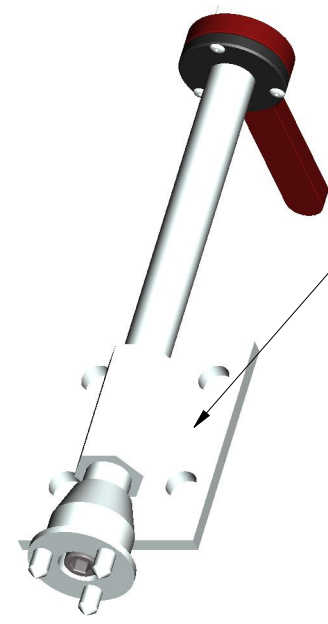
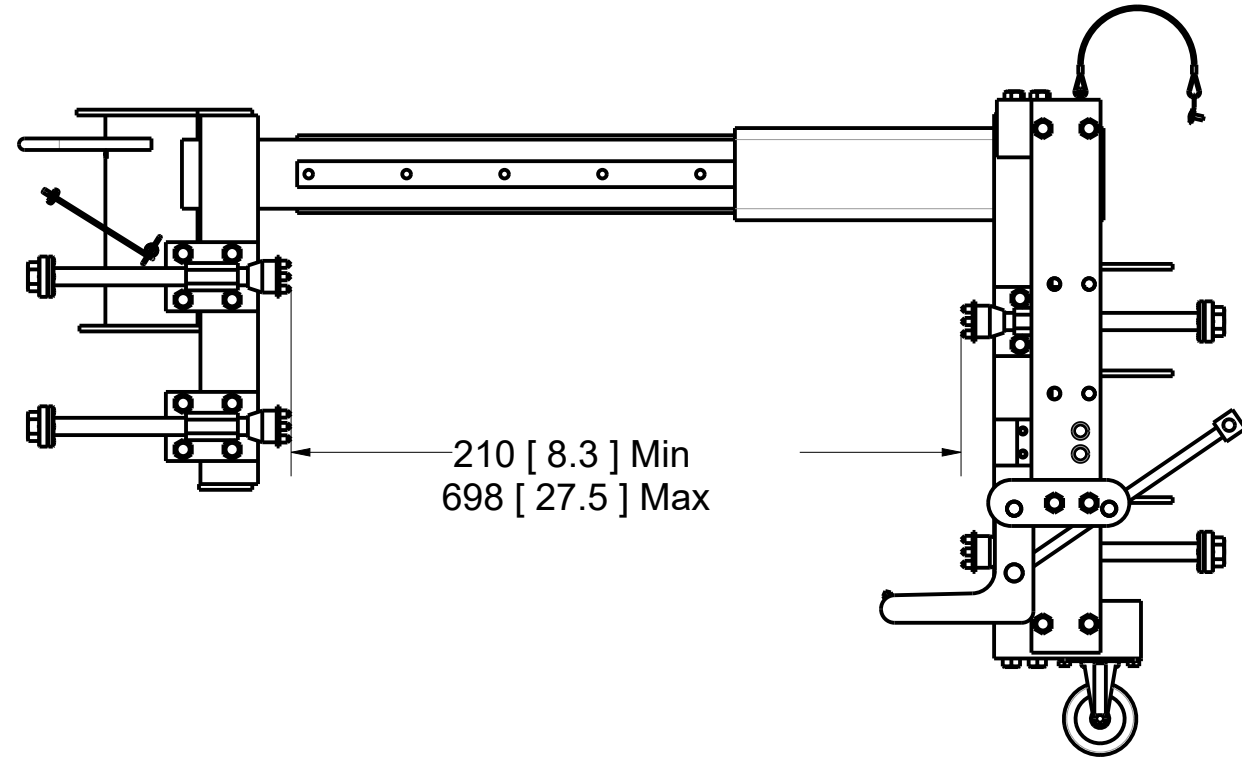


PAT.NO.:				
PRODUITS DE SERVICE PUBLICS INNOVA INC. INNOVA PUBLIC UTILITY PRODUCTS INC.				
<small>© 9105-0732 QUEBEC INC. and under exclusive license to INNOVA PUBLIC UTILITY PRODUCTS INC., (hereafter « INNOVA »). All rights reserved. Protected under the Copyright Act of Canada and international treaties and agreements regarding copyrights. Violators are subject to prosecution and other legal recourses for infringement. Any reproduction, adaptation or other use or disclosure whatsoever, in totality or in part, and in any form or by any means whatsoever, strictly forbidden and requires the prior written approval of INNOVA. All data is the exclusive property of 9105-0732 QUEBEC INC. and under exclusive license to INNOVA and cannot be used nor disclosed in any way either without the prior written approval of INNOVA.</small>				
WEIGHT:	TITLE:			
114 Lb	76mm (3") Adjustable wall adapter			
52 Kg	305mm-800mm (12"-31.5")			
COLOR:	Material:	SHEET(S):	PROJET:	Rev.
Yellow security	Aluminum	3 / 5	IN-2075	01

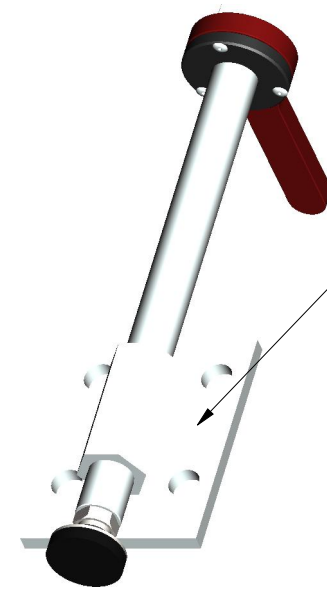
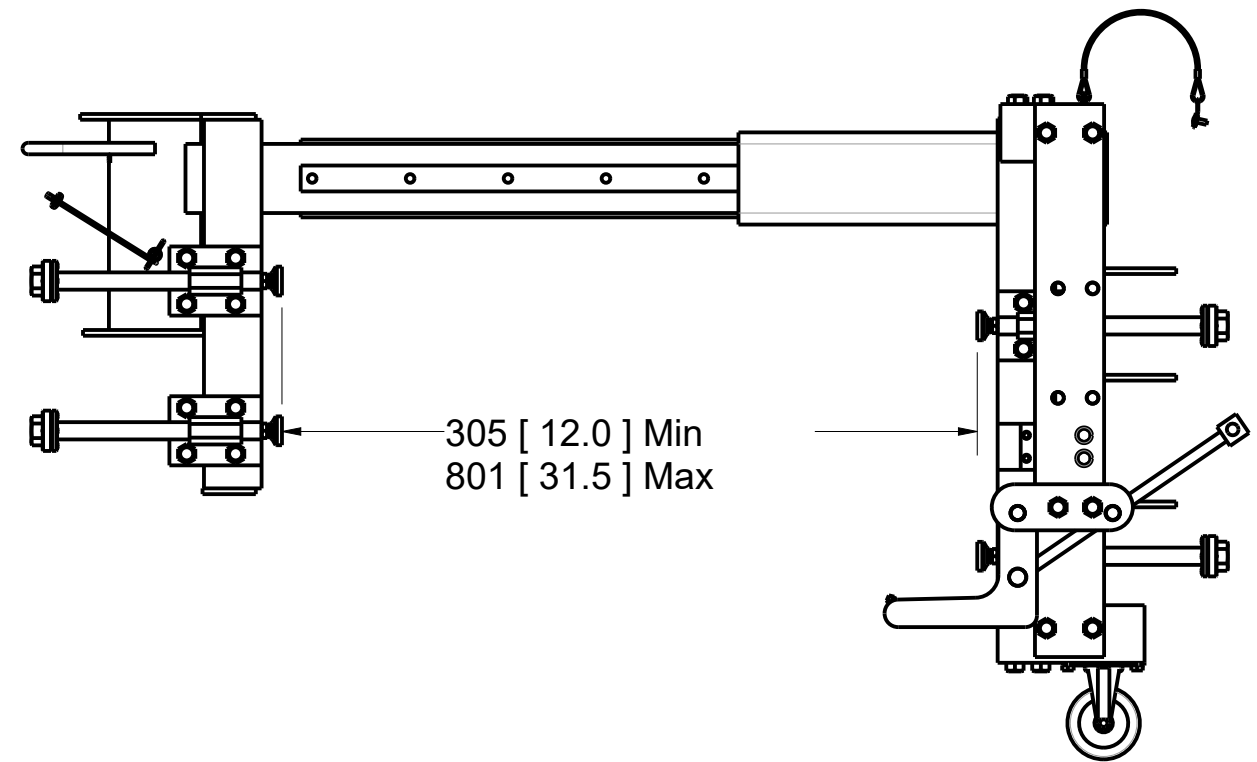
Product number: IN-2075




PAT.NO.:				
PRODUITS DE SERVICE PUBLICS INNOVA INC. INNOVA PUBLIC UTILITY PRODUCTS INC.				
<small>© 9105-0732 QUEBEC INC. and under exclusive license to INNOVA PUBLIC UTILITY PRODUCTS INC., (hereafter « INNOVA »). All rights reserved. Protected under the Copyright Act of Canada and international treaties and agreements regarding copyrights. Violators are subject to prosecution and other legal recourses for infringement. Any reproduction, adaptation or other use or disclosure whatsoever, in totality or in part, and in any form or by any means whatsoever, strictly forbidden and requires the prior written approval of INNOVA. All data is the exclusive property of 9105-0732 QUEBEC INC. and under exclusive license to INNOVA and cannot be used nor disclosed in any way either without the prior written approval of INNOVA.</small>				
WEIGHT:	TITLE:			
114 Lb	76mm (3") Adjustable wall adapter			
52 Kg	305mm-800mm (12"-31.5")			
COLOR:	Material:	SHEET(S):	PROJET:	Rev.
Yellow security	Aluminum	4 / 5	IN-2075	01



A2008-04 Accessory
(Tightening rod with three spikes)



A2008-13 Accessory
(Tightening rod with rubber end)

PAT.NO.:				
PRODUITS DE SERVICE PUBLICS INNOVA INC. INNOVA PUBLIC UTILITY PRODUCTS INC.				
<small>© 9105-0732 QUEBEC INC. and under exclusive license to INNOVA PUBLIC UTILITY PRODUCTS INC., (hereafter « INNOVA »). All rights reserved. Protected under the Copyright Act of Canada and international treaties and agreements regarding copyrights. Violators are subject to prosecution and other legal recourses for infringement. Any reproduction, adaptation or other use or disclosure whatsoever, in totality or in part, and in any form or by any means whatsoever, strictly forbidden and requires the prior written approval of INNOVA. All data is the exclusive property of 9105-0732 QUEBEC INC. and under exclusive license to INNOVA and cannot be used nor disclosed in any way either without the prior written approval of INNOVA.</small>				
WEIGHT:	TITLE:			
114 Lb	76mm (3") Adjustable wall adapter			
52 Kg	305mm-800mm (12"-31.5")			
COLOR:	Material:	SHEET(S):	PROJET:	Rev.
Yellow security	Aluminum	5 / 5	IN-2075	01