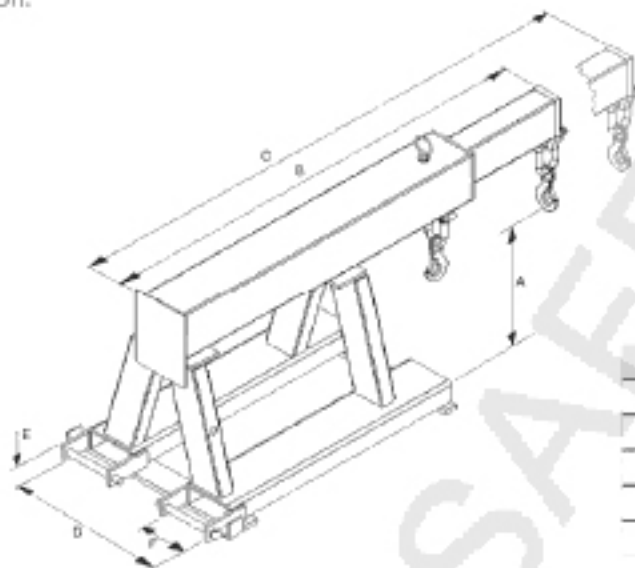


Short Reach Jib



The Short Reach Extending Jib allows previously inaccessible loads to be handled safely. The jib can be fitted to a forklift truck simply; remove the heel pin and drive the truck slowly forwards until fully sleeved. Re-fit the heel pin behind the truck forks. Ensure the jib is fully secured before lifting.

Short Reach Extending Jibs allow transportation of long loads safely. The two hooks provided allow loads to be slung at greater centres than with a conventional jib. The greater length allows previously in-accessible loads to be handled. Manual Extension.



Model Ref.	Weight	C of G Min	C of G Max
500-1.8	120kgs	554mm	628mm
500-2.2	120kgs	554mm	628mm
500-2.7	160kgs	567mm	644mm
500-3.1	160kgs	567mm	644mm
500-3.5	160kgs	567mm	644mm

Model Ref.	Capacity (kgs) @ Load Ctrs (mm)								
	1000	1250	1500	1750	2000	2250	2500	2750	3000
500-1.8	1100	900	720	580	500	360	330	260	210
500-2.2	1400	1100	1000	850	750	560	440	320	230
500-2.7	1450	1200	1100	900	840	670	490	360	270
500-3.1	1900	1500	1200	1000	900	730	580	450	370
500-3.5	2000	1600	1300	1100	1000	820	670	540	460

Model Ref.	Truck Capacity (kgs)	"A" Hook Height (mm)	"B" Closed Length (mm)	"C" Open Length (mm)	"D" Fork Spread (mm)	"F" Fork Max Width (mm)	"E" Max Fork Thickness (mm)
500-1.8	200	131	125	170	48	125	50
500-2.2	250	139	125	170	48	125	50
500-2.7	300	176	125	170	56	150	50
500-3.1	350	183	125	170	56	150	50
500-3.5	400	137	125	170	56	150	50